

Jul. 2009



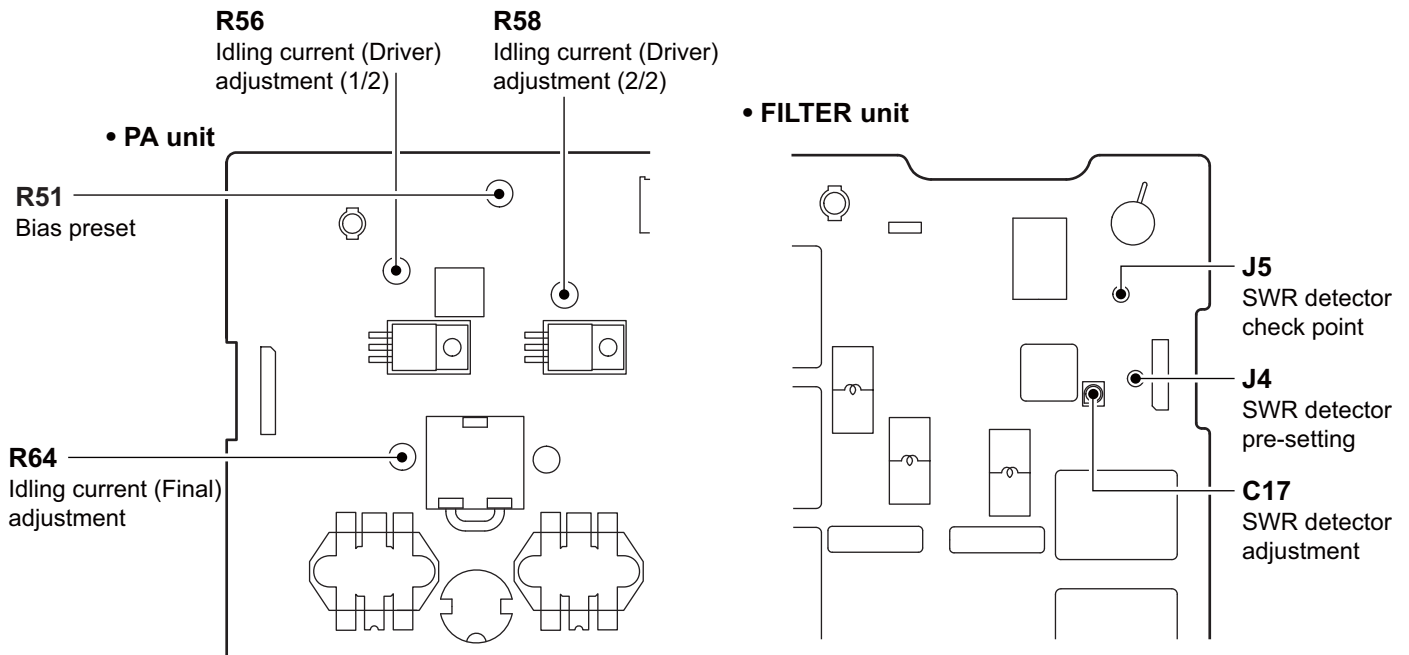
SERVICE MANUAL ADDENDUM

IC-78

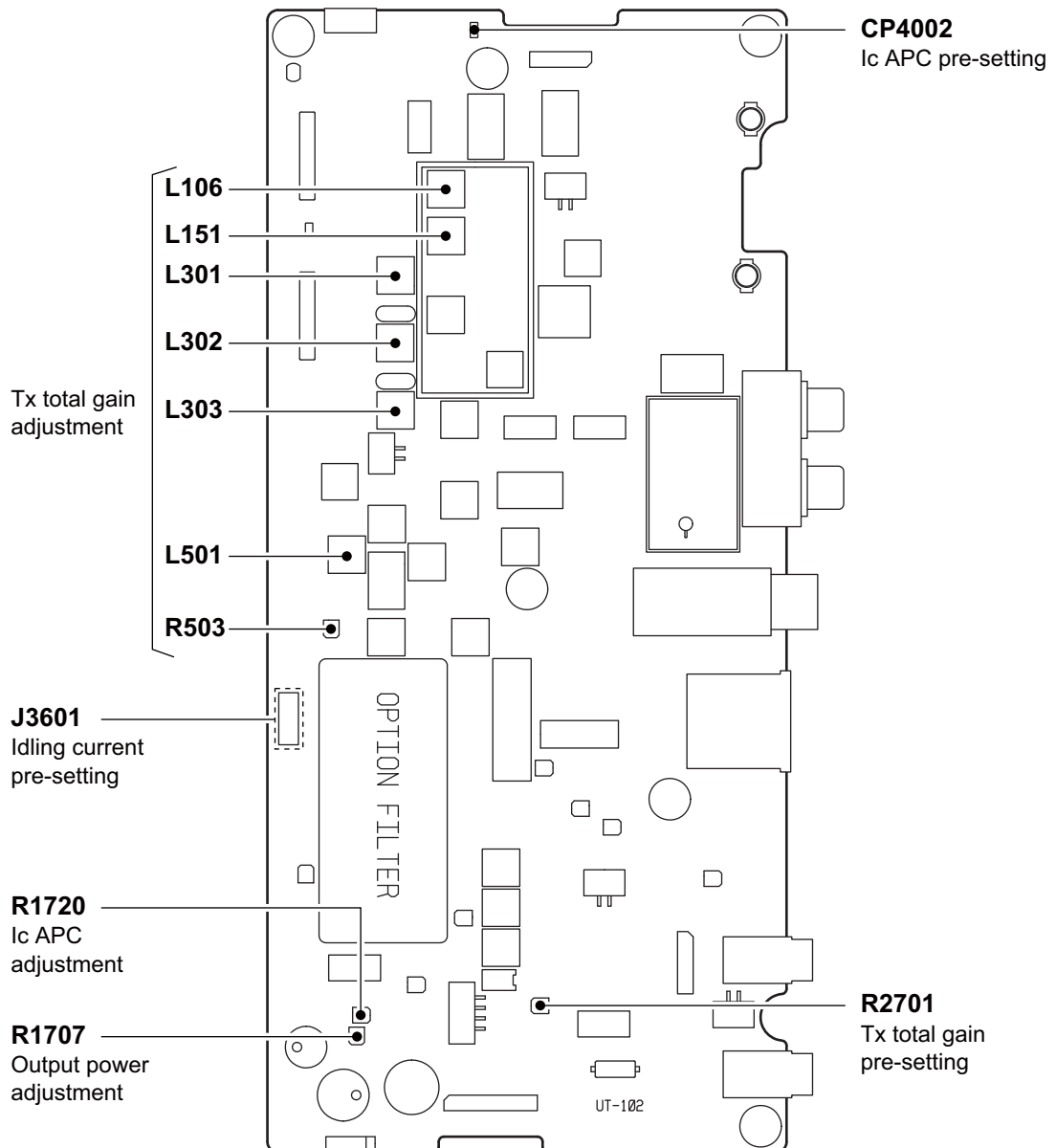
CONTENTS

REPLACEMENT PAGES	5-4, 5-5
PARTS LIST	1
BOARD LAYOUTS	16
VOLTAGE DIAGRAM	18

ADJUSTMENT	ADJUSTMENT CONDITION	MEASUREMENT		VALUE	ADJUSTMENT POINT			
		UNIT	LOCATION		UNIT	ADJUST		
IDLING CURRENT (bias preset)	1	<ul style="list-style-type: none"> • Frequency : 12.23000 MHz • Mode : USB • RF power : Minimum (L) • Mic gain : Minimum (0) • Disconnect J3601 (MAIN unit) and preset R51, 56, 58, 62, 64 (PA unit) to max. counter clockwise. • Transmitting 	PA	Connect a DC voltmeter between CP1 and GND.	0.5 V	PA	R51	
	(for driver)	2	<ul style="list-style-type: none"> • Connect an ammeter (10 A) between the power supply and IC-78. 	Connect an ammeter (10 A) between the power supply and IC-78.	Measure the current and note it as the "initial value."		–	
		3	<ul style="list-style-type: none"> • Transmitting 		+800 mA more than the initial value (by R56), then +1.6 A more than the initial value (by R58).		R56 R58	
	(for final amplifier)	4	<ul style="list-style-type: none"> • Transmitting 		+3.0 A more than the initial value.		R64	
After adjustment, connect J3601 on the MAIN unit.								
SWR DETECTOR	1	<ul style="list-style-type: none"> • Frequency : 12.23000 MHz • Mode : USB • RF power : Maximum (H) • Connect J4 (FILTER unit) to GND. • Connect an audio generator to the [MIC] connector and set as: Frequency : 1.5 kHz Level : 30 mVrms • Transmitting 	Rear panel	Connect an RF power meter to the [ANT] connector.	100W	Front panel	Mic gain control in the quick set mode	
		2	<ul style="list-style-type: none"> • Connect a digital multimeter or oscilloscope to J5 • Transmitting 	FILTER		Minimum voltage	FILTER	C17
	After adjustment, disconnect J4 on the FILTER unit from GND.							
TX TOTAL GAIN	1	<ul style="list-style-type: none"> • Frequency : 12.23000 MHz • Mode : USB • RF power : Maximum (H) • Mic gain : Center (50) • R2701 (MAIN unit): Center • Connect an audio generator to the [MIC] connector and set as: Frequency : 1.5 kHz Level : 3 mVrms • Transmitting 	Rear panel	Connect an RF power meter to the [ANT] connector.	Maximum output power	MAIN	L303, L302, L301, L151, L106, L501	
		2	<ul style="list-style-type: none"> • Transmitting 		50W		R503	
OUTPUT POWER	1	<ul style="list-style-type: none"> • Frequency : 12.23000 MHz • Mode : USB • RF power : Maximum (H) • MIC gain : Center (50) • Connect an audio generator to the [MIC] connector and set as: Frequency : 1.5 kHz Level : 30 mVrms • Transmitting 	Rear panel	Connect an RF power meter to the [ANT] connector.	105W	MAIN	R1707	
Ic APC	1	<ul style="list-style-type: none"> • Frequency : 24.9000 MHz • Mode : USB • Connect CP4002 (MAIN unit) to GND. • RF power : Maximum (H) • Mic gain : Center (50) • Connect an audio generator to the [MIC] connector and set as: Frequency : 1.5 kHz Level : 30 mVrms • Transmitting 	Rear panel	Connect an ammeter (30 A) between the power supply and IC-78.	22A	MAIN	R1720	
After adjustment, disconnect CP4002 on the MAIN unit from GND.								



• MAIN unit



[MAIN UNIT]

REF NO.	ORDER NO.	DESCRIPTION	
L401	6140003210	S.COI LR-358	
L402	6140003530	COI LR-395	
L501	6150004090	COI LS-469 (C-13969)	
L701	6200003261	S.COI NLV32T-101J	[OHT]
	6200003261	S.COI NLV32T-101J	[OHT-1]
	6200003260	S.COI NL 322522T-101J	[OHT-2]
	6200003260	S.COI NL 322522T-101J	[OHT-3]
	6200003261	S.COI NLV32T-101J	[CHN]
	6200003261	S.COI NLV32T-101J	[CHN-01]
L702	6200003261	S.COI NLV32T-101J	
L703	6200003261	S.COI NLV32T-101J	
L801	6200003261	S.COI NLV32T-101J	
L802	6200012670	S.COI LB3218T331K	
L811	6200002961	S.COI NLV32T-4R7J	
L812	6200003321	S.COI NLV32T-3R3J	
L813	6200003261	S.COI NLV32T-101J	
L814	6200003261	S.COI NLV32T-101J	
L821	6200001851	S.COI NLV32T-5R6J	
L822	6200003111	S.COI NLV32T-6R8J	
L831	6200003261	S.COI NLV32T-101J	
L832	6200003091	S.COI NLV32T-2R7J	
L833	6200003101	S.COI NLV32T-3R9J	
L835	6200002961	S.COI NLV32T-4R7J	
L836	6200001851	S.COI NLV32T-5R6J	
L841	6200003261	S.COI NLV32T-101J	
L842	6200002991	S.COI NLV32T-2R2J	
L843	6200002991	S.COI NLV32T-2R2J	
L851	6200003261	S.COI NLV32T-101J	
L852	6200003051	S.COI NLV32T-R82J	
L853	6200003061	S.COI NLV32T-1R2J	
L854	6200003081	S.COI NLV32T-1R8J	
L855	6200003071	S.COI NLV32T-1R5J	
L861	6200003261	S.COI NLV32T-101J	
L862	6200003061	S.COI NLV32T-1R2J	
L863	6200003331	S.COI NLV32T-1R0J	
L864	6200003051	S.COI NLV32T-R82J	
L865	6200003061	S.COI NLV32T-1R2J	
L871	6200003261	S.COI NLV32T-101J	
L872	6200003031	S.COI NLV32T-R47J	
L873	6200002981	S.COI NLV32T-R56J	
L874	6200003041	S.COI NLV32T-R68J	
L875	6200003051	S.COI NLV32T-R82J	
L881	6200003261	S.COI NLV32T-101J	
L882	6200003251	S.COI NLV32T-R39J	
L883	6200003251	S.COI NLV32T-R39J	
L884	6200003031	S.COI NLV32T-R47J	
L885	6200002981	S.COI NLV32T-R56J	
L891	6200003261	S.COI NLV32T-101J	
L892	6200003011	S.COI NLV32T-R27J	
L893	6200003011	S.COI NLV32T-R27J	
L894	6200003021	S.COI NLV32T-R33J	
L895	6200003251	S.COI NLV32T-R39J	
L901	6200003261	S.COI NLV32T-101J	
L902	6180002961	S.COI NLV32T-R18J	[OHT]
	6180002961	S.COI NLV32T-R18J	[OHT-1]
	6200002961	S.COI NLV32T-4R7J	[OHT-2]
	6200002961	S.COI NLV32T-4R7J	[OHT-3]
	6180002961	S.COI NLV32T-R18J	[CHN]
	6180002961	S.COI NLV32T-R18J	[CHN-01]
L903	6200003011	S.COI NLV32T-R27J	
L904	6200003021	S.COI NLV32T-R33J	
L1101	6140003210	S.COI LR-358	
L1102	6140003620	COI LR-403	
L1103	6150004270	COI LS-483A (C-14924)	
L1104	6200003261	S.COI NLV32T-101J	
L1106	6200002041	S.COI NLV25T-101J	
L1201	6150004280	COI LS-484B (C-14927)	
L1202	6150004280	COI LS-484B (C-14927)	
L1301	6150004080	COI LS-468 (C-13958)	
L1302	6150004080	COI LS-468 (C-13958)	
L1303	6150004080	COI LS-468 (C-13958)	
L1304	6200012670	S.COI LB3218T331K	
L1401	6140000640	COI LR-86	
L1402	6140003550	COI LR-397 (LR-169)	
L1501	6150002291	COI LS-450	
L1502	6150002291	COI LS-450	
L1503	6200012670	S.COI LB3218T331K	
L1601	6150002291	COI LS-450	
L1611	6150002291	COI LS-450	
L1621	6150002291	COI LS-450	
L2001	6200003261	S.COI NLV32T-101J	
L2301	6200003261	S.COI NLV32T-101J	
L2901	6140002220	COI LR-270 (TR6X3X2 3A9)	
L3501	6180000960	COI LAL 03NA 102K	
L3502	6180003630	COI EL0607SKI-102J	
L4501	6200003950	S.COI HF50ACC 322513-T	
L4651	6200003950	S.COI HF50ACC 322513-T	
L4652	6200001831	S.COI NLV32T-100J	
L4653	6200003950	S.COI HF50ACC 322513-T	
L4654	6200003950	S.COI HF50ACC 322513-T	
L4656	6200001831	S.COI NLV32T-100J	
L4657	6200001831	S.COI NLV32T-100J	
L4658	6200003261	S.COI NLV32T-101J	
L4659	6200001831	S.COI NLV32T-100J	
L4660	6200001831	S.COI NLV32T-100J	
L4661	6200003261	S.COI NLV32T-101J	
L4801	6200003261	S.COI NLV32T-101J	
L4802	6200003950	S.COI HF50ACC 322513-T	
L5101	6200003331	S.COI NLV32T-1R0J	
L5102	6200003331	S.COI NLV32T-1R0J	
R1	7030003370	S.RES ERJ3GEYJ 271 V (270)	
R2	7030003230	S.RES ERJ3GEYJ 180 V (18)	

[MAIN UNIT]

REF NO.	ORDER NO.	DESCRIPTION	
R3	7030003370	S.RES ERJ3GEYJ 271 V (270)	
R4	7030003220	S.RES ERJ3GEYJ 150 V (15)	
R5	7030003370	S.RES ERJ3GEYJ 271 V (270)	
R6	7030003230	S.RES ERJ3GEYJ 180 V (18)	
R7	7030003370	S.RES ERJ3GEYJ 271 V (270)	
R101	7030003320	S.RES ERJ3GEYJ 101 V (100)	
R102	7030003680	S.RES ERJ3GEYJ 104 V (100K)	
R103	7030003680	S.RES ERJ3GEYJ 104 V (100K)	
R104	7030003680	S.RES ERJ3GEYJ 104 V (100K)	
R105	7030003440	S.RES ERJ3GEYJ 102 V (1K)	
R106	7030003600	S.RES ERJ3GEYJ 223 V (22K)	
R107	7030003480	S.RES ERJ3GEYJ 222 V (2.2K)	
R108	7030003520	S.RES ERJ3GEYJ 472 V (4.7K)	
R151	7030003320	S.RES ERJ3GEYJ 101 V (100)	
R152	7030003340	S.RES ERJ3GEYJ 151 V (150)	
R153	7030003500	S.RES ERJ3GEYJ 332 V (3.3K)	
R154	7030003440	S.RES ERJ3GEYJ 102 V (1K)	
R155	7510001500	S.THE NTCG10 4BH 332JT	
R156	7030003440	S.RES ERJ3GEYJ 102 V (1K)	
R201	7030003440	S.RES ERJ3GEYJ 102 V (1K)	
R202	7030007180	S.RES ERJ12YJ150U (15)	
R203	7030003520	S.RES ERJ3GEYJ 472 V (4.7K)	
R204	7030003420	S.RES ERJ3GEYJ 681 V (680)	
R205	7030003290	S.RES ERJ3GEYJ 560 V (56)	
R206	7030003200	S.RES ERJ3GEYJ 100 V (10)	
R301	7030003440	S.RES ERJ3GEYJ 102 V (1K)	
R302	7030003440	S.RES ERJ3GEYJ 102 V (1K)	
R303	7030003440	S.RES ERJ3GEYJ 102 V (1K)	
R304	7030003440	S.RES ERJ3GEYJ 102 V (1K)	
R401	7030003370	S.RES ERJ3GEYJ 271 V (270)	
R402	7030003230	S.RES ERJ3GEYJ 180 V (18)	
R403	7030003370	S.RES ERJ3GEYJ 271 V (270)	
R501	7030003440	S.RES ERJ3GEYJ 102 V (1K)	
R502	7030003440	S.RES ERJ3GEYJ 102 V (1K)	
R503	7310005560	S.TRI TMC3ADCS4X (47K)	
R504	7030003320	S.RES ERJ3GEYJ 101 V (100)	
R505	7030003600	S.RES ERJ3GEYJ 223 V (22K)	
R506	7030003560	S.RES ERJ3GEYJ 103 V (10K)	
R507	7030003520	S.RES ERJ3GEYJ 472 V (4.7K)	
R508	7510001530	S.THE NTCG20 3NH 103JT	
R509	7030003560	S.RES ERJ3GEYJ 103 V (10K)	
R510	7030003560	S.RES ERJ3GEYJ 103 V (10K)	
R511	7030003480	S.RES ERJ3GEYJ 222 V (2.2K)	
R512	7030003520	S.RES ERJ3GEYJ 472 V (4.7K)	
R513	7030003620	S.RES ERJ3GEYJ 333 V (33K)	
R514	7030003620	S.RES ERJ3GEYJ 333 V (33K)	
R601	7030003560	S.RES ERJ3GEYJ 103 V (10K)	
R602	7030003620	S.RES ERJ3GEYJ 333 V (33K)	
R603	7030003620	S.RES ERJ3GEYJ 333 V (33K)	
R604	7030003520	S.RES ERJ3GEYJ 472 V (4.7K)	
R605	7030003520	S.RES ERJ3GEYJ 472 V (4.7K)	
R606	7030003560	S.RES ERJ3GEYJ 103 V (10K)	
R611	7030003560	S.RES ERJ3GEYJ 103 V (10K)	
R612	7030003530	S.RES ERJ3GEYJ 562 V (5.6K)	
R613	7030003320	S.RES ERJ3GEYJ 101 V (100)	
R614	7030003560	S.RES ERJ3GEYJ 103 V (10K)	
R621	7030003500	S.RES ERJ3GEYJ 332 V (3.3K)	
R622	7030003530	S.RES ERJ3GEYJ 562 V (5.6K)	
R623	7030003320	S.RES ERJ3GEYJ 101 V (100)	
R624	7030003500	S.RES ERJ3GEYJ 332 V (3.3K)	
R631	7030003560	S.RES ERJ3GEYJ 103 V (10K)	
R632	7030003530	S.RES ERJ3GEYJ 562 V (5.6K)	
R633	7030003440	S.RES ERJ3GEYJ 102 V (1K)	
R634	7030003320	S.RES ERJ3GEYJ 101 V (100)	
R635	7030003560	S.RES ERJ3GEYJ 103 V (10K)	
R701	7030009830	S.RES ERJ12YJ391U (390)	
R703	7030006250	S.RES ERJ12YJ271U (270)	
R704	7030009830	S.RES ERJ12YJ391U (390)	
R705	7030 006260	S.RES ERJ12YJ471U (470)	
R801	7030003400	S.RES ERJ3GEYJ 471 V (470)	
R802	7030003400	S.RES ERJ3GEYJ 471 V (470)	
R821	7030003240	S.RES ERJ3GEYJ 220 V (22)	
R822	7030003280	S.RES ERJ3GEYJ 470 V (47)	
R823	7030003240	S.RES ERJ3GEYJ 220 V (22)	
R824	7030003400	S.RES ERJ3GEYJ 471 V (470)	
R831	7030003400	S.RES ERJ3GEYJ 471 V (470)	
R832	7030003400	S.RES ERJ3GEYJ 471 V (470)	
	7030003400	S.RES ERJ3GEYJ 471 V (470)	[OHT]
	7030003400	S.RES ERJ3GEYJ 471 V (470)	[OHT-1]
	7030003400	S.RES ERJ3GEYJ 471 V (470)	[OHT-2]
	7030003440	S.RES ERJ3GEYJ 102 V (1K)	[OHT-3]
	7030003400	S.RES ERJ3GEYJ 471 V (470)	[CHN]
	7030003400	S.RES ERJ3GEYJ 471 V (470)	[CHN-01]
R833	7030003400	S.RES ERJ3GEYJ 471 V (470)	[OHT]
	7030003400	S.RES ERJ3GEYJ 471 V (470)	[OHT-1]
	7030003400	S.RES ERJ3GEYJ 471 V (470)	[OHT-2]
	7030003440	S.RES ERJ3GEYJ 102 V (1K)	[OHT-3]
	7030003400	S.RES ERJ3GEYJ 471 V (470)	[CHN]
	7030003400	S.RES ERJ3GEYJ 471 V (470)	[CHN-01]
R841	7030003400	S.RES ERJ3GEYJ 471 V (470)	
R842	7030003400	S.RES ERJ3GEYJ 471 V (470)	
R851	7030003400	S.RES ERJ3GEYJ 471 V (470)	
R852	7030003440	S.RES ERJ3GEYJ 102 V (1K)	
R861	7030003400	S.RES ERJ3GEYJ 471 V (470)	
R862	7030003440	S.RES ERJ3GEYJ 102 V (1K)	
R871	7030003400	S.RES ERJ3GEYJ 471 V (470)	
R872	7030003440	S.RES ERJ3GEYJ 102 V (1K)	
R881	7030003400	S.RES ERJ3GEYJ 471 V (470)	
R882	7030003440	S.RES ERJ3GEYJ 102 V (1K)	
R891	7030003400	S.RES ERJ3GEYJ 471 V (470)	
R892	7030003440	S.RES ERJ3GEYJ 102 V (1K)	
R901	7030003400	S.RES ERJ3GEYJ 471 V (470)	
R902	7030003360	S.RES ERJ3GEYJ 221 V (220)	
R903	7030003440	S.RES ERJ3GEYJ 102 V (1K)	
R904	7030003560	S.RES ERJ3GEYJ 103 V (10K)	

M.=Mounted side (T: Mounted on the Top side, B: Mounted on the Bottom side)
S.=Surface mount

[MAIN UNIT]

REF NO.	ORDER NO.	DESCRIPTION
R1001	7030003640	S.RES ERJ3GEYJ 473 V (47K)
R1002	7030003440	S.RES ERJ3GEYJ 102 V (1K)
R1101	7030003440	S.RES ERJ3GEYJ 102 V (1K)
R1102	7030003320	S.RES ERJ3GEYJ 101 V (100)
R1103	7030003420	S.RES ERJ3GEYJ 681 V (680)
R1105	7030003420	S.RES ERJ3GEYJ 681 V (680)
R1107	7030000220	S.RES MCR10EZHJ 47 (470)
R1108	7030003440	S.RES ERJ3GEYJ 102 V (1K)
R1201	7030003440	S.RES ERJ3GEYJ 102 V (1K)
R1202	7030003530	S.RES ERJ3GEYJ 562 V (5.6K)
R1204	7030003470	S.RES ERJ3GEYJ 182 V (1.8K)
R1205	7030003800	S.RES ERJ3GEYJ 105 V (1M)
R1206	7030003340	S.RES ERJ3GEYJ 151 V (150)
R1207	7030003480	S.RES ERJ3GEYJ 222 V (2.2K)
R1208	7030003320	S.RES ERJ3GEYJ 101 V (100)
R1209	7030003440	S.RES ERJ3GEYJ 102 V (1K)
R1300	7030003680	S.RES ERJ3GEYJ 104 V (100K)
R1301	7030003440	S.RES ERJ3GEYJ 102 V (1K)
R1302	7030003360	S.RES ERJ3GEYJ 221 V (220)
R1304	7030003520	S.RES ERJ3GEYJ 472 V (4.7K)
R1305	7030003470	S.RES ERJ3GEYJ 182 V (1.8K)
R1306	7030003760	S.RES ERJ3GEYJ 474 V (470K)
R1307	7030003540	S.RES ERJ3GEYJ 682 V (6.8K)
R1308	7030003360	S.RES ERJ3GEYJ 221 V (220)
R1310	7030003480	S.RES ERJ3GEYJ 222 V (2.2K)
R1311	7030003480	S.RES ERJ3GEYJ 222 V (2.2K)
R1401	7030003360	S.RES ERJ3GEYJ 221 V (220)
R1402	7030003240	S.RES ERJ3GEYJ 220 V (22)
R1403	7030004040	S.RES ERJ3GEYJ 4R7 V (4.7)
R1404	7030003560	S.RES ERJ3GEYJ 103 V (10K)
R1501	7030003640	S.RES ERJ3GEYJ 473 V (47K)
R1502	7030003400	S.RES ERJ3GEYJ 471 V (470)
R1503	7030003320	S.RES ERJ3GEYJ 101 V (100)
R1504	7030003600	S.RES ERJ3GEYJ 223 V (22K)
R1505	7030003400	S.RES ERJ3GEYJ 471 V (470)
R1506	7030003320	S.RES ERJ3GEYJ 101 V (100)
R1507	7030003320	S.RES ERJ3GEYJ 101 V (100)
R1508	7030003600	S.RES ERJ3GEYJ 223 V (22K)
R1509	7030003500	S.RES ERJ3GEYJ 332 V (3.3K)
R1510	7030003400	S.RES ERJ3GEYJ 471 V (470)
R1511	7030003680	S.RES ERJ3GEYJ 104 V (100K)
R1513	7030003640	S.RES ERJ3GEYJ 473 V (47K)
R1514	7030003640	S.RES ERJ3GEYJ 473 V (47K)
R1515	7030003380	S.RES ERJ3GEYJ 331 V (330)
R1516	7030003840	S.RES ERJ3GEYJ 225 V (2.2M)
R1517	7030003510	S.RES ERJ3GEYJ 392 V (3.9K)
R1518	7030003440	S.RES ERJ3GEYJ 102 V (1K)
R1519	7030003320	S.RES ERJ3GEYJ 101 V (100)
R1520	7030003540	S.RES ERJ3GEYJ 682 V (6.8K)
R1521	7030003440	S.RES ERJ3GEYJ 102 V (1K)
R1522	7030003360	S.RES ERJ3GEYJ 221 V (220)
R1523	7030003640	S.RES ERJ3GEYJ 473 V (47K)
R1601	7030003280	S.RES ERJ3GEYJ 470 V (47)
R1602	7030003400	S.RES ERJ3GEYJ 471 V (470)
R1603	7030003610	S.RES ERJ3GEYJ 273 V (27K)
R1604	7030003640	S.RES ERJ3GEYJ 473 V (47K)
R1610	7030003480	S.RES ERJ3GEYJ 222 V (2.2K)
R1611	7030003320	S.RES ERJ3GEYJ 101 V (100)
R1612	7510001390	S.THE NTCG20 3FH 332JT
R1614	7310005580	S.TRI TMC3ADCS3X (4.7K)
R1615	7030003560	S.RES ERJ3GEYJ 103 V (10K)
R1616	7030003560	S.RES ERJ3GEYJ 103 V (10K)
R1617	7510001500	S.THE NTCG10 4BH 332JT
R1621	7030003320	S.RES ERJ3GEYJ 101 V (100)
R1622	7030003480	S.RES ERJ3GEYJ 222 V (2.2K)
R1623	7030003410	S.RES ERJ3GEYJ 561 V (560)
R1624	7030003400	S.RES ERJ3GEYJ 471 V (470)
R1625	7030003760	S.RES ERJ3GEYJ 474 V (470K)
R1626	7030003720	S.RES ERJ3GEYJ 224 V (220K)
R1627	7510001500	S.THE NTCG10 4BH 332JT
R1631	7030003560	S.RES ERJ3GEYJ 103 V (10K)
R1632	7030003560	S.RES ERJ3GEYJ 103 V (10K)
R1633	7030003680	S.RES ERJ3GEYJ 104 V (100K)
R1703	7030003680	S.RES ERJ3GEYJ 104 V (100K)
R1706	7030003380	S.RES ERJ3GEYJ 331 V (330)
R1707	7310005570	S.TRI TMC3ADC15X (100K)
R1708	7030003720	S.RES ERJ3GEYJ 224 V (220K)
R1709	7030003680	S.RES ERJ3GEYJ 104 V (100K)
R1710	7030003840	S.RES ERJ3GEYJ 225 V (2.2M)
R1711	7030003380	S.RES ERJ3GEYJ 331 V (330)
R1712	7030003680	S.RES ERJ3GEYJ 104 V (100K)
R1713	7030003800	S.RES ERJ3GEYJ 105 V (1M)
R1714	7030003730	S.RES ERJ3GEYJ 274 V (270K)
R1715	7030003570	S.RES ERJ3GEYJ 123 V (12K)
R1716	7030003400	S.RES ERJ3GEYJ 471 V (470)
R1717	7030003640	S.RES ERJ3GEYJ 473 V (47K)
R1718	7030003640	S.RES ERJ3GEYJ 473 V (47K)
R1719	7030003620	S.RES ERJ3GEYJ 333 V (33K)
R1720	7310005540	S.TRI TMC3ADC14X (10K)
R1721	7030003620	S.RES ERJ3GEYJ 333 V (33K)
R1722	7030003800	S.RES ERJ3GEYJ 105 V (1M)
R1723	7030003400	S.RES ERJ3GEYJ 471 V (470)
R1724	7030003560	S.RES ERJ3GEYJ 103 V (10K)
R1725	7030003680	S.RES ERJ3GEYJ 104 V (100K)
R1729	7030003560	S.RES ERJ3GEYJ 103 V (10K)
R1730	7310005570	S.TRI TMC3ADC15X (100K)
R1751	7030003790	S.RES ERJ3GEYJ 824 V (820K)
R1752	7030003840	S.RES ERJ3GEYJ 225 V (2.2M)
R1754	7030003760	S.RES ERJ3GEYJ 474 V (470K)
R1755	7030003440	S.RES ERJ3GEYJ 102 V (1K)
R1801	7030003440	S.RES ERJ3GEYJ 102 V (1K)
R1802	7030003840	S.RES ERJ3GEYJ 225 V (2.2M)
R1803	7030003830	S.RES ERJ3GEYJ 185 V (1.8M)
R1804	7030003720	S.RES ERJ3GEYJ 224 V (220K)

[MAIN UNIT]

REF NO.	ORDER NO.	DESCRIPTION
R1805	7030003680	S.RES ERJ3GEYJ 104 V (100K)
R1806	7030003800	S.RES ERJ3GEYJ 105 V (1M)
R1807	7030003560	S.RES ERJ3GEYJ 103 V (10K)
R1808	7030003580	S.RES ERJ3GEYJ 153 V (15K)
R1809	7030003320	S.RES ERJ3GEYJ 101 V (100)
R1810	7030003800	S.RES ERJ3GEYJ 105 V (1M)
R1812	7030003580	S.RES ERJ3GEYJ 153 V (15K)
R1813	7030003500	S.RES ERJ3GEYJ 332 V (3.3K)
R1814	7030003440	S.RES ERJ3GEYJ 102 V (1K)
R1815	7030003600	S.RES ERJ3GEYJ 223 V (22K)
R1901	7030003560	S.RES ERJ3GEYJ 103 V (10K)
R1902	7030003640	S.RES ERJ3GEYJ 473 V (47K)
R1903	7030003440	S.RES ERJ3GEYJ 102 V (1K)
R1904	7030003280	S.RES ERJ3GEYJ 470 V (47)
R1905	7030003680	S.RES ERJ3GEYJ 104 V (100K)
R1906	7030003650	S.RES ERJ3GEYJ 563 V (56K)
R1907	7030003440	S.RES ERJ3GEYJ 102 V (1K)
R2001	7030003320	S.RES ERJ3GEYJ 101 V (100)
R2002	7030003600	S.RES ERJ3GEYJ 223 V (22K)
R2003	7030003320	S.RES ERJ3GEYJ 101 V (100)
R2004	7030003360	S.RES ERJ3GEYJ 221 V (220)
R2005	7030003400	S.RES ERJ3GEYJ 471 V (470)
R2006	7030003380	S.RES ERJ3GEYJ 331 V (330)
R2007	7030003480	S.RES ERJ3GEYJ 222 V (2.2K)
R2008	7030003480	S.RES ERJ3GEYJ 222 V (2.2K)
R2101	7030003400	S.RES ERJ3GEYJ 471 V (470)
R2102	7030003560	S.RES ERJ3GEYJ 103 V (10K)
R2103	7030003560	S.RES ERJ3GEYJ 103 V (10K)
R2104	7030003640	S.RES ERJ3GEYJ 473 V (47K)
R2105	7030003640	S.RES ERJ3GEYJ 473 V (47K)
R2106	7030003640	S.RES ERJ3GEYJ 473 V (47K)
R2107	7030003640	S.RES ERJ3GEYJ 473 V (47K)
R2108	7030003400	S.RES ERJ3GEYJ 471 V (470)
R2201	7030003440	S.RES ERJ3GEYJ 102 V (1K)
R2202	7030003560	S.RES ERJ3GEYJ 103 V (10K)
R2203	7030003560	S.RES ERJ3GEYJ 103 V (10K)
R2204	7030003680	S.RES ERJ3GEYJ 104 V (100K)
R2206	7030003710	S.RES ERJ3GEYJ 184 V (180K)
R2208	7030003560	S.RES ERJ3GEYJ 103 V (10K)
R2209	7030003680	S.RES ERJ3GEYJ 104 V (100K)
R2210	7030003520	S.RES ERJ3GEYJ 472 V (4.7K)
R2211	7030003670	S.RES ERJ3GEYJ 823 V (82K)
R2212	7030003720	S.RES ERJ3GEYJ 224 V (220K)
R2213	7030003720	S.RES ERJ3GEYJ 224 V (220K)
R2214	7030003520	S.RES ERJ3GEYJ 472 V (4.7K)
R2215	7030003560	S.RES ERJ3GEYJ 103 V (10K)
R2216	7030003640	S.RES ERJ3GEYJ 473 V (47K)
R2217	7030003640	S.RES ERJ3GEYJ 473 V (47K)
R2218	7030003560	S.RES ERJ3GEYJ 103 V (10K)
R2219	7030003290	S.RES ERJ3GEYJ 560 V (56)
R2220	7310005590	S.TRI TMC3ADCJ5X (220K)
R2221	7030003600	S.RES ERJ3GEYJ 223 V (22K)
R2222	7030003540	S.RES ERJ3GEYJ 682 V (6.8K)
R2223	7030003540	S.RES ERJ3GEYJ 682 V (6.8K)
R2224	7030003520	S.RES ERJ3GEYJ 472 V (4.7K)
R2225	7030003360	S.RES ERJ3GEYJ 221 V (220)
R2300	7030003410	S.RES ERJ3GEYJ 561 V (560)
R2301	7030003440	S.RES ERJ3GEYJ 102 V (1K)
R2302	7030003640	S.RES ERJ3GEYJ 473 V (47K)
R2303	7310005580	S.TRI TMC3ADCS3X (4.7K)
R2304	7030003640	S.RES ERJ3GEYJ 473 V (47K)
R2305	7030003440	S.RES ERJ3GEYJ 102 V (1K)
R2306	7030003380	S.RES ERJ3GEYJ 331 V (330)
R2307	7030003520	S.RES ERJ3GEYJ 472 V (4.7K)
R2308	7510001500	S.THE NTCG10 4BH 332JT
R2310	7030003440	S.RES ERJ3GEYJ 102 V (1K)
R2312	7030003520	S.RES ERJ3GEYJ 472 V (4.7K)
R2313	7030003560	S.RES ERJ3GEYJ 103 V (10K)
R2317	7030003440	S.RES ERJ3GEYJ 102 V (1K)
R2318	7030003410	S.RES ERJ3GEYJ 561 V (560)
R2319	7030003410	S.RES ERJ3GEYJ 561 V (560)
R2320	7030003550	S.RES ERJ3GEYJ 822 V (8.2K)
R2321	7310005590	S.TRI TMC3ADCJ5X (220K)
R2352	7030003650	S.RES ERJ3GEYJ 563 V (56K)
R2353	7030003640	S.RES ERJ3GEYJ 473 V (47K)
R2381	7030003680	S.RES ERJ3GEYJ 104 V (100K)
R2382	7030003760	S.RES ERJ3GEYJ 474 V (470K)
R2383	7030003600	S.RES ERJ3GEYJ 223 V (22K)
R2384	7030003440	S.RES ERJ3GEYJ 102 V (1K)
R2385	7310005540	S.TRI TMC3ADC14X (10K)
R2386	7030003560	S.RES ERJ3GEYJ 103 V (10K)
R2387	7030003560	S.RES ERJ3GEYJ 103 V (10K)
R2401	7030003680	S.RES ERJ3GEYJ 104 V (100K)
R2402	7030003680	S.RES ERJ3GEYJ 104 V (100K)
R2403	7030003640	S.RES ERJ3GEYJ 473 V (47K)
R2406	7030003520	S.RES ERJ3GEYJ 472 V (4.7K)
R2407	7030003520	S.RES ERJ3GEYJ 472 V (4.7K)
R2607	7030003680	S.RES ERJ3GEYJ 104 V (100K)
R2701	7310005580	S.TRI TMC3ADCS3X (4.7K)
R2702	7030003400	S.RES ERJ3GEYJ 471 V (470)
R2703	7030003680	S.RES ERJ3GEYJ 104 V (100K)
R2704	7030003680	S.RES ERJ3GEYJ 104 V (100K)
R2705	7030003520	S.RES ERJ3GEYJ 472 V (4.7K)
R2706	7030003520	S.RES ERJ3GEYJ 472 V (4.7K)
R2707	7030003320	S.RES ERJ3GEYJ 101 V (100)
R2708	7030003610	S.RES ERJ3GEYJ 273 V (27K)
R2709	7030003480	S.RES ERJ3GEYJ 222 V (2.2K)
R2710	7030003550	S.RES ERJ3GEYJ 822 V (8.2K)
R2720	7030003560	S.RES ERJ3GEYJ 103 V (10K)
R2721	7030003410	S.RES ERJ3GEYJ 561 V (560)
R2722	7030003640	S.RES ERJ3GEYJ 473 V (47K)
R2803	7030003560	S.RES ERJ3GEYJ 103 V (10K)
R2804	7030003560	S.RES ERJ3GEYJ 103 V (10K)
R2805	7030003440	S.RES ERJ3GEYJ 102 V (1K)

M.=Mounted side (T: Mounted on the Top side, B: Mounted on the Bottom side)
S.=Surface mount

[MAIN UNIT]

REF NO.	ORDER NO.	DESCRIPTION
R2901	7030003400	S.RES ERJ3GEYJ 471 V (470)
R2902	7030004040	S.RES ERJ3GEYJ 4R7 V (4.7)
R2903	7030008000	S.RES ERJ1WYJ3R3U (3.3)
R3001	7030003640	S.RES ERJ3GEYJ 473 V (47K)
R3002	7030003640	S.RES ERJ3GEYJ 473 V (47K)
R3003	7030003640	S.RES ERJ3GEYJ 473 V (47K)
R3004	7030003640	S.RES ERJ3GEYJ 473 V (47K)
R3005	7030003640	S.RES ERJ3GEYJ 473 V (47K)
R3006	7030003640	S.RES ERJ3GEYJ 473 V (47K)
R3007	7030003640	S.RES ERJ3GEYJ 473 V (47K)
R3008	7030003640	S.RES ERJ3GEYJ 473 V (47K)
R3009	7030003640	S.RES ERJ3GEYJ 473 V (47K)
R3010	7030003640	S.RES ERJ3GEYJ 473 V (47K)
R3011	7030003360	S.RES ERJ3GEYJ 221 V (220)
R3012	7030003360	S.RES ERJ3GEYJ 221 V (220)
R3013	7030003360	S.RES ERJ3GEYJ 221 V (220)
R3101	7030003520	S.RES ERJ3GEYJ 472 V (4.7K)
R3102	7030003520	S.RES ERJ3GEYJ 472 V (4.7K)
R3201	7030003680	S.RES ERJ3GEYJ 104 V (100K)
R3202	7030003680	S.RES ERJ3GEYJ 104 V (100K)
R3203	7030003400	S.RES ERJ3GEYJ 471 V (470)
R3302	7030007661	S.RES ERA3YED 331V (330) [OHT]
	7030007661	S.RES ERA3YED 331V (330) [OHT-1]
	7030007661	S.RES ERA3YED 331V (330) [OHT-2]
	7030007661	S.RES ERA3YED 331V (330) [OHT-3]
	7030007660	S.RES RR0816P-331-D (330)0 [CHN]
	7030007660	S.RES RR0816P-331-D (330)0 [CHN-01]
R3303	7030006521	S.RES ERA3YED 561V (560)
R3501	7030003350	S.RES ERJ3GEYJ 181 V (180)
R3502	7030003350	S.RES ERJ3GEYJ 181 V (180)
R3503	7030003560	S.RES ERJ3GEYJ 103 V (10K)
R3504	7030003680	S.RES ERJ3GEYJ 104 V (100K)
R3505	7030003320	S.RES ERJ3GEYJ 101 V (100)
R3506	7030003320	S.RES ERJ3GEYJ 101 V (100)
R3601	7030003440	S.RES ERJ3GEYJ 102 V (1K)
R3602	7030003740	S.RES ERJ3GEYJ 334 V (330K)
R3603	7030003680	S.RES ERJ3GEYJ 104 V (100K)
R3701	7030003520	S.RES ERJ3GEYJ 472 V (4.7K)
R3702	7030003400	S.RES ERJ3GEYJ 471 V (470)
R3703	7310005600	S.TRI TMC3ADCJ3X (2.2K)
R3704	7030003440	S.RES ERJ3GEYJ 102 V (1K)
R4001	7030004040	S.RES ERJ3GEYJ 4R7 V (4.7)
R4002	7030004040	S.RES ERJ3GEYJ 4R7 V (4.7)
R4003	7030004040	S.RES ERJ3GEYJ 4R7 V (4.7)
R4004	7030004040	S.RES ERJ3GEYJ 4R7 V (4.7)
R4005	7030004040	S.RES ERJ3GEYJ 4R7 V (4.7)
R4006	7030004040	S.RES ERJ3GEYJ 4R7 V (4.7)
R4007	7030004040	S.RES ERJ3GEYJ 4R7 V (4.7)
R4101	7030003440	S.RES ERJ3GEYJ 102 V (1K)
R4102	7030003320	S.RES ERJ3GEYJ 101 V (100)
R4201	7030003440	S.RES ERJ3GEYJ 102 V (1K)
R4202	7030003440	S.RES ERJ3GEYJ 102 V (1K)
R4203	7030003440	S.RES ERJ3GEYJ 102 V (1K)
R4204	7030003440	S.RES ERJ3GEYJ 102 V (1K)
R4205	7030003440	S.RES ERJ3GEYJ 102 V (1K)
R4206	7030003440	S.RES ERJ3GEYJ 102 V (1K)
R4207	7030003440	S.RES ERJ3GEYJ 102 V (1K)
R4208	7030003440	S.RES ERJ3GEYJ 102 V (1K)
R4209	7030003440	S.RES ERJ3GEYJ 102 V (1K)
R4210	7030003440	S.RES ERJ3GEYJ 102 V (1K)
R4211	7030003440	S.RES ERJ3GEYJ 102 V (1K)
R4213	7030003440	S.RES ERJ3GEYJ 102 V (1K)
R4214	7030003440	S.RES ERJ3GEYJ 102 V (1K)
R4215	7030003440	S.RES ERJ3GEYJ 102 V (1K)
R4217	7030003440	S.RES ERJ3GEYJ 102 V (1K)
R4218	7030003440	S.RES ERJ3GEYJ 102 V (1K)
R4219	7030003440	S.RES ERJ3GEYJ 102 V (1K)
R4220	7030003440	S.RES ERJ3GEYJ 102 V (1K)
R4221	7030003440	S.RES ERJ3GEYJ 102 V (1K)
R4222	7030003440	S.RES ERJ3GEYJ 102 V (1K)
R4223	7030003440	S.RES ERJ3GEYJ 102 V (1K)
R4224	7030003510	S.RES ERJ3GEYJ 392 V (3.9K)
R4225	7030003440	S.RES ERJ3GEYJ 102 V (1K)
R4226	7030003440	S.RES ERJ3GEYJ 102 V (1K)
R4227	7030003560	S.RES ERJ3GEYJ 103 V (10K)
R5551	7030003440	S.RES ERJ3GEYJ 102 V (1K)
R5552	7030003510	S.RES ERJ3GEYJ 392 V (3.9K)
R5601	7030003640	S.RES ERJ3GEYJ 473 V (47K)
R5602	7030003640	S.RES ERJ3GEYJ 473 V (47K)
R5603	7030003640	S.RES ERJ3GEYJ 473 V (47K)
R5604	7030003640	S.RES ERJ3GEYJ 473 V (47K)
R5606	7030003440	S.RES ERJ3GEYJ 102 V (1K)
W801	7030003860	S.RES ERJ3GE JPW V
W1202	7030003860	S.RES ERJ3GE JPW V
W1311	7030003860	S.RES ERJ3GE JPW V
W1726	7030003860	S.RES ERJ3GE JPW V
W2101	7030003860	S.RES ERJ3GE JPW V
W2201	7030003860	S.RES ERJ3GE JPW V
W2351	7030003860	S.RES ERJ3GE JPW V
W2603	7030003860	S.RES ERJ3GE JPW V
W3601	7030003860	S.RES ERJ3GE JPW V
W4216	7030003860	S.RES ERJ3GE JPW V
W4401	7030003860	S.RES ERJ3GE JPW V
W4801	7030003860	S.RES ERJ3GE JPW V
W4802	7030003860	S.RES ERJ3GE JPW V
W4803	7030003860	S.RES ERJ3GE JPW V
C1	4030011600	S.CER C1608 JB 1E 104K-T
C2	4030011600	S.CER C1608 JB 1E 104K-T
C3	4030011600	S.CER C1608 JB 1E 104K-T
C4	4030007130	S.CER C1608 CH 1H 101J-T
C5	4030007120	S.CER C1608 CH 1H 820J-T
C100	4030007120	S.CER C1608 CH 1H 820J-T

[MAIN UNIT]

REF NO.	ORDER NO.	DESCRIPTION
C101	4030007110	S.CER C1608 CH 1H 680J-T
C102	4030007090	S.CER C1608 CH 1H 470J-T
C103	4030007150	S.CER C1608 CH 1H 151J-T
C104	4030007050	S.CER C1608 CH 1H 220J-T
C105	4030007120	S.CER C1608 CH 1H 820J-T
C106	4030008650	S.CER C1608 JB 1H 332K-T
C107	4030008470	S.CER C1608 JB 1H 272K-T
C108	4030011600	S.CER C1608 JB 1E 104K-T
C109	4030011600	S.CER C1608 JB 1E 104K-T
C110	4030011600	S.CER C1608 JB 1E 104K-T
C111	4030006980	S.CER C1608 CH 1H 070D-T
C112	4030011600	S.CER C1608 JB 1E 104K-T
C113	4030007010	S.CER C1608 CH 1H 100D-T
C151	4030006880	S.CER C1608 JB 1H 472K-T
C152	4030008250	S.CER C1608 UJ 1H 120J-T
C153	4030006880	S.CER C1608 JB 1H 472K-T
C154	4030006880	S.CER C1608 JB 1H 472K-T
C155	4030006880	S.CER C1608 JB 1H 472K-T
C156	4030006880	S.CER C1608 JB 1H 472K-T
C157	4030006880	S.CER C1608 JB 1H 472K-T
C158	4030006880	S.CER C1608 JB 1H 472K-T
C201	4030011340	S.CER C1608 CH 1H 471J-T
C202	4030006880	S.CER C1608 JB 1H 472K-T
C203	4030011600	S.CER C1608 JB 1E 104K-T
C204	4030006880	S.CER C1608 JB 1H 472K-T
C205	4030006880	S.CER C1608 JB 1H 472K-T
C206	4030007170	S.CER C1608 CH 1H 221J-T
C301	4030006880	S.CER C1608 JB 1H 472K-T
C302	4030006970	S.CER C1608 CH 1H 060D-T
C303	4030006970	S.CER C1608 CH 1H 060D-T
C304	4030006970	S.CER C1608 CH 1H 060D-T
C305	4030006880	S.CER C1608 JB 1H 472K-T
C306	4030006880	S.CER C1608 JB 1H 472K-T
C307	4030006880	S.CER C1608 JB 1H 472K-T
C401	4030011340	S.CER C1608 CH 1H 471J-T
C501	4030006880	S.CER C1608 JB 1H 472K-T
C502	4030006880	S.CER C1608 JB 1H 472K-T
C503	4510008560	S.ELE EEE1HAR47SR
C504	4030006880	S.CER C1608 JB 1H 472K-T
C506	4510008520	S.ELE EEE1CA470SP
C507	4030011600	S.CER C1608 JB 1E 104K-T
C508	4030011600	S.CER C1608 JB 1E 104K-T
C509	4030006880	S.CER C1608 JB 1H 472K-T
C510	4510008550	S.ELE EEE1HA010SR
C511	4510004990	ELE 16 ME 100 HC
C601	4030011600	S.CER C1608 JB 1E 104K-T
C602	4030011600	S.CER C1608 JB 1E 104K-T
C603	4030011600	S.CER C1608 JB 1E 104K-T
C611	4030011600	S.CER C1608 JB 1E 104K-T
C612	4030011600	S.CER C1608 JB 1E 104K-T
C621	4030011600	S.CER C1608 JB 1E 104K-T
C622	4030011600	S.CER C1608 JB 1E 104K-T
C631	4030011600	S.CER C1608 JB 1E 104K-T
C632	4030011600	S.CER C1608 JB 1E 104K-T
C633	4030011600	S.CER C1608 JB 1E 104K-T
C701	4030011600	S.CER C1608 JB 1E 104K-T
C702	4030011600	S.CER C1608 JB 1E 104K-T
C703	4030011600	S.CER C1608 JB 1E 104K-T
C704	4030011600	S.CER C1608 JB 1E 104K-T
C801	4030011600	S.CER C1608 JB 1E 104K-T
C802	4030011600	S.CER C1608 JB 1E 104K-T
C803	4030006880	S.CER C1608 JB 1H 472K-T
C811	4030011600	S.CER C1608 JB 1E 104K-T
C812	4030008920	S.CER C1608 JB 1H 473K-T
C813	4030009980	S.CER C1608 JB 1H 152K-T
C814	4030006880	S.CER C1608 JB 1H 472K-T
C815	4030008470	S.CER C1608 JB 1H 272K-T
C816	4030011600	S.CER C1608 JB 1E 104K-T
C817	4030006880	S.CER C1608 JB 1H 472K-T
C821	4510008550	S.ELE EEE1HA010SR
C822	4030008470	S.CER C1608 JB 1H 272K-T
C823	4030007170	S.CER C1608 CH 1H 221J-T
C824	4030006870	S.CER C1608 JB 1H 222K-T
C831	4030011600	S.CER C1608 JB 1E 104K-T
C832	4030009970	S.CER C1608 JB 1H 182K-T
C833	4030011280	S.CER C1608 CH 1H 271J-T
C834	4030006860	S.CER C1608 JB 1H 102K-T
C837	4030008470	S.CER C1608 JB 1H 272K-T
C838	4030008850	S.CER C1608 JB 1H 123K-T
C839	4030009980	S.CER C1608 JB 1H 152K-T
C840	4030011600	S.CER C1608 JB 1E 104K-T
C841	4030011600	S.CER C1608 JB 1E 104K-T
C842	4030010020	S.CER C1608 JB 1H 122K-T
C843	4030007100	S.CER C1608 CH 1H 560J-T
C844	4030009580	S.CER C1608 JB 1H 681K-T
C845	4030010040	S.CER C1608 JB 1H 561K-T
C846	4030007150	S.CER C1608 CH 1H 151J-T
C851	4030011600	S.CER C1608 JB 1E 104K-T
C852	4030011340	S.CER C1608 CH 1H 471J-T
C853	4030007110	S.CER C1608 CH 1H 680J-T
C854	4030011280	S.CER C1608 CH 1H 271J-T
C855	4030010020	S.CER C1608 JB 1H 122K-T
C856	4030008770	S.CER C1608 JB 1H 562K-T
C857	4030009580	S.CER C1608 JB 1H 681K-T
C858	4030011600	S.CER C1608 JB 1E 104K-T
C861	4030011600	S.CER C1608 JB 1E 104K-T
C862	4030010760	S.CER C1608 CH 1H 331J-T
C863	4030007100	S.CER C1608 CH 1H 560J-T
C864	4030010760	S.CER C1608 CH 1H 331J-T
C865	4030009580	S.CER C1608 JB 1H 681K-T
C866	4030008470	S.CER C1608 JB 1H 272K-T
C867	4030010760	S.CER C1608 CH 1H 331J-T
C868	4030011600	S.CER C1608 JB 1E 104K-T
C871	4030006880	S.CER C1608 JB 1H 472K-T

M.=Mounted side (T: Mounted on the Top side, B: Mounted on the Bottom side)
S.=Surface mount

[MAIN UNIT]

REF NO.	ORDER NO.	DESCRIPTION
C872	4030011280	S.CER C1608 CH 1H 271J-T
C873	4030007100	S.CER C1608 CH 1H 560J-T
C874	4030007150	S.CER C1608 CH 1H 151J-T
C875	4030011340	S.CER C1608 CH 1H 471J-T
C876	4030009980	S.CER C1608 JB 1H 152K-T
C877	4030007170	S.CER C1608 CH 1H 221J-T
C878	4030006880	S.CER C1608 JB 1H 472K-T
C881	4030006880	S.CER C1608 JB 1H 472K-T
C882	4030007170	S.CER C1608 CH 1H 221J-T
C883	4030007070	S.CER C1608 CH 1H 330J-T
C884	4030007140	S.CER C1608 CH 1H 121J-T
C885	4030011280	S.CER C1608 CH 1H 271J-T
C886	4030010020	S.CER C1608 JB 1H 122K-T
C887	4030007150	S.CER C1608 CH 1H 151J-T
C888	4030006880	S.CER C1608 JB 1H 472K-T
C891	4030006880	S.CER C1608 JB 1H 472K-T
C892	4030007140	S.CER C1608 CH 1H 121J-T
C893	4030007080	S.CER C1608 CH 1H 390J-T
C894	4030007110	S.CER C1608 CH 1H 680J-T
C895	4030007170	S.CER C1608 CH 1H 221J-T
C896	4030009490	S.CER C1608 JB 1H 821K-T
C897	4030007130	S.CER C1608 CH 1H 101J-T
C898	4030006880	S.CER C1608 JB 1H 472K-T
C899	4030007070	S.CER C1608 CH 1H 330J-T
C901	4030011600	S.CER C1608 JB 1E 104K-T
C902	4030011600	S.CER C1608 JB 1E 104K-T
C904	4030011600	S.CER C1608 JB 1E 104K-T
C905	4030007150	S.CER C1608 CH 1H 151J-T
C906	4030007010	S.CER C1608 CH 1H 100D-T
C907	4030007120	S.CER C1608 CH 1H 820J-T
C1001	4030011600	S.CER C1608 JB 1E 104K-T
C1101	4030006880	S.CER C1608 JB 1H 472K-T
C1102	4030011600	S.CER C1608 JB 1E 104K-T
C1103	4030011600	S.CER C1608 JB 1E 104K-T
C1104	4030006940	S.CER C1608 CH 1H 030C-T
C1106	4030006880	S.CER C1608 JB 1H 472K-T
C1108	4030011600	S.CER C1608 JB 1E 104K-T
C1201	4030006880	S.CER C1608 JB 1H 472K-T
C1202	4030006880	S.CER C1608 JB 1H 472K-T
C1203	4030011600	S.CER C1608 JB 1E 104K-T
C1204	4030006880	S.CER C1608 JB 1H 472K-T
C1205	4030007010	S.CER C1608 CH 1H 100D-T
C1206	4030006880	S.CER C1608 JB 1H 472K-T
C1207	4030006880	S.CER C1608 JB 1H 472K-T
C1208	4030007010	S.CER C1608 CH 1H 100D-T
C1209	4030006880	S.CER C1608 JB 1H 472K-T
C1301	4030011600	S.CER C1608 JB 1E 104K-T
C1305	4030011600	S.CER C1608 JB 1E 104K-T
C1307	4030011600	S.CER C1608 JB 1E 104K-T
C1308	4030011600	S.CER C1608 JB 1E 104K-T
C1309	4030011600	S.CER C1608 JB 1E 104K-T
C1310	4030011600	S.CER C1608 JB 1E 104K-T
C1401	4030011600	S.CER C1608 JB 1E 104K-T
C1402	4030011600	S.CER C1608 JB 1E 104K-T
C1404	4030011600	S.CER C1608 JB 1E 104K-T
C1405	4510008570	S.ELE EEE1CA220SR
C1501	4030011600	S.CER C1608 JB 1E 104K-T
C1502	4030011600	S.CER C1608 JB 1E 104K-T
C1504	4030011600	S.CER C1608 JB 1E 104K-T
C1505	4030011600	S.CER C1608 JB 1E 104K-T
C1507	4030011600	S.CER C1608 JB 1E 104K-T
C1508	4030010760	S.CER C1608 CH 1H 331J-T
C1509	4030011600	S.CER C1608 JB 1E 104K-T
C1510	4030011600	S.CER C1608 JB 1E 104K-T
C1511	4030011340	S.CER C1608 CH 1H 471J-T
C1512	4510008550	S.ELE EEE1HA010SR
C1513	4510008520	S.ELE EEE1CA470SP
C1514	4030011600	S.CER C1608 JB 1E 104K-T
C1515	4030011600	S.CER C1608 JB 1E 104K-T
C1516	4030011600	S.CER C1608 JB 1E 104K-T
C1601	4030011600	S.CER C1608 JB 1E 104K-T
C1602	4030006860	S.CER C1608 JB 1H 102K-T
C1611	4030011600	S.CER C1608 JB 1E 104K-T
C1613	4030011600	S.CER C1608 JB 1E 104K-T
C1615	4510009120	S.ELE EEE1VA2R2NR
C1621	4030011600	S.CER C1608 JB 1E 104K-T
C1623	4030011600	S.CER C1608 JB 1E 104K-T
C1624	4030011600	S.CER C1608 JB 1E 104K-T
C1625	4030011600	S.CER C1608 JB 1E 104K-T
C1631	4030011600	S.CER C1608 JB 1E 104K-T
C1632	4030011600	S.CER C1608 JB 1E 104K-T
C1701	4030011600	S.CER C1608 JB 1E 104K-T
C1702	4030011600	S.CER C1608 JB 1E 104K-T
C1704	4030006880	S.CER C1608 JB 1H 472K-T
C1706	4510009120	S.ELE EEE1VA2R2NR
C1707	4030019460	S.CER C1608 JB 0J 106M-T
C1708	4030011600	S.CER C1608 JB 1E 104K-T
C1751	4030011600	S.CER C1608 JB 1E 104K-T
C1752	4030011600	S.CER C1608 JB 1E 104K-T
C1801	4030006880	S.CER C1608 JB 1H 472K-T
C1802	4510009120	S.ELE EEE1VA2R2NR
C1803	4510008550	S.ELE EEE1HA010SR
C1804	4030011600	S.CER C1608 JB 1E 104K-T
C1805	4510008560	S.ELE EEE1HAR47SR
C1812	4030007130	S.CER C1608 CH 1H 101J-T
C1813	4030006880	S.CER C1608 JB 1H 472K-T
C1814	4510008540	S.ELE EEE1CA100SR
C1815	4030007150	S.CER C1608 CH 1H 151J-T
C1901	4550006390	S.TAN TEESVA 1C 335M8R
C1902	4030006880	S.CER C1608 JB 1H 472K-T
C1903	4030006880	S.CER C1608 JB 1H 472K-T
C1904	4030011600	S.CER C1608 JB 1E 104K-T
C1905	4030006880	S.CER C1608 JB 1H 472K-T
C2001	4030011600	S.CER C1608 JB 1E 104K-T

[MAIN UNIT]

REF NO.	ORDER NO.	DESCRIPTION
C2002	4030007130	S.CER C1608 CH 1H 101J-T
C2003	4030011600	S.CER C1608 JB 1E 104K-T
C2004	4030011600	S.CER C1608 JB 1E 104K-T
C2005	4510008550	S.ELE EEE1HA010SR
C2006	4030006880	S.CER C1608 JB 1H 472K-T
C2007	4030011600	S.CER C1608 JB 1E 104K-T
C2008	4030011600	S.CER C1608 JB 1E 104K-T
C2009	4510008540	S.ELE EEE1CA100SR
C2010	4030011600	S.CER C1608 JB 1E 104K-T
C2101	4510008550	S.ELE EEE1HA010SR
C2102	4030011600	S.CER C1608 JB 1E 104K-T
C2103	4030011600	S.CER C1608 JB 1E 104K-T
C2104	4030006870	S.CER C1608 JB 1H 222K-T
C2105	4030006870	S.CER C1608 JB 1H 222K-T
C2107	4030011600	S.CER C1608 JB 1E 104K-T
C2201	4510008520	S.ELE EEE1CA470SP
C2202	4030011600	S.CER C1608 JB 1E 104K-T
C2203	4030011600	S.CER C1608 JB 1E 104K-T
C2204	4510008550	S.ELE EEE1HA010SR
C2205	4030007130	S.CER C1608 CH 1H 101J-T
C2206	4030011600	S.CER C1608 JB 1E 104K-T
C2207	4030008920	S.CER C1608 JB 1H 473K-T
C2208	4030011340	S.CER C1608 CH 1H 471J-T
C2209	4510008550	S.ELE EEE1HA010SR
C2210	4030011340	S.CER C1608 CH 1H 471J-T
C2211	4510008540	S.ELE EEE1CA100SR
C2212	4510008540	S.ELE EEE1CA100SR
C2213	4030011600	S.CER C1608 JB 1E 104K-T
C2214	4030011600	S.CER C1608 JB 1E 104K-T
C2215	4510008550	S.ELE EEE1HA010SR
C2216	4030011600	S.CER C1608 JB 1E 104K-T
C2217	4030008910	S.CER C1608 JB 1H 393K-T
C2219	4510008560	S.ELE EEE1HAR47SR
C2301	4030011600	S.CER C1608 JB 1E 104K-T
C2303	4030011600	S.CER C1608 JB 1E 104K-T
C2304	4510008540	S.ELE EEE1CA100SR
C2305	4510008540	S.ELE EEE1CA100SR
C2306	4030011600	S.CER C1608 JB 1E 104K-T
C2309	4030011600	S.CER C1608 JB 1E 104K-T
C2310	4030011600	S.CER C1608 JB 1E 104K-T
C2312	4510008560	S.ELE EEE1HAR47SR
C2313	4030011600	S.CER C1608 JB 1E 104K-T
C2314	4030011600	S.CER C1608 JB 1E 104K-T
C2315	4510008560	S.ELE EEE1HAR47SR
C2352	4030006870	S.CER C1608 JB 1H 222K-T
C2353	4030011330	S.CER C1608 CH 1H 391J-T
C2354	4510008540	S.ELE EEE1CA100SR
C2380	4030011600	S.CER C1608 JB 1E 104K-T
C2381	4510008540	S.ELE EEE1CA100SR
C2382	4030011600	S.CER C1608 JB 1E 104K-T
C2383	4510008540	S.ELE EEE1CA100SR
C2384	4510008550	S.ELE EEE1HA010SR
C2401	4030006880	S.CER C1608 JB 1H 472K-T
C2402	4030006880	S.CER C1608 JB 1H 472K-T
C2403	4030006860	S.CER C1608 JB 1H 102K-T
C2405	4030011600	S.CER C1608 JB 1E 104K-T
C2501	4030011600	S.CER C1608 JB 1E 104K-T
C2601	4030011600	S.CER C1608 JB 1E 104K-T
C2602	4550006390	S.TAN TEESVA 1C 335M8R
C2701	4510008540	S.ELE EEE1CA100SR
C2702	4030010760	S.CER C1608 CH 1H 331J-T
C2703	4510008540	S.ELE EEE1CA100SR
C2704	4510008540	S.ELE EEE1CA100SR
C2705	4510008540	S.ELE EEE1CA100SR
C2706	4510008540	S.ELE EEE1CA100SR
C2708	4510008540	S.ELE EEE1CA100SR
C2709	4510008540	S.ELE EEE1CA100SR
C2710	4510009120	S.ELE EEE1VA2R2NR
C2720	4030011600	S.CER C1608 JB 1E 104K-T
C2721	4510004990	ELE 16 ME 100 HC
C2722	4510008520	S.ELE EEE1CA470SP
C2723	4510008520	S.ELE EEE1CA470SP
C2801	4030011600	S.CER C1608 JB 1E 104K-T
C2901	4030008920	S.CER C1608 JB 1H 473K-T
C2902	4510008540	S.ELE EEE1CA100SR
C2903	4030011600	S.CER C1608 JB 1E 104K-T
C2904	4030011600	S.CER C1608 JB 1E 104K-T
C2905	4510004601	ELE 16 ME 1000 HC
C2906	4510004591	ELE 16 ME 470 HC
C2907	4030011600	S.CER C1608 JB 1E 104K-T
C3001	4030011600	S.CER C1608 JB 1E 104K-T
C3002	4030011600	S.CER C1608 JB 1E 104K-T
C3003	4030011600	S.CER C1608 JB 1E 104K-T
C3004	4030011600	S.CER C1608 JB 1E 104K-T
C3005	4030011600	S.CER C1608 JB 1E 104K-T
C3006	4510004591	ELE 16 ME 470 HC
C3007	4510004591	ELE 16 ME 470 HC
C3101	4030011600	S.CER C1608 JB 1E 104K-T
C3301	4030011600	S.CER C1608 JB 1E 104K-T
C3302	4030011600	S.CER C1608 JB 1E 104K-T
C3401	4510004990	ELE 16 ME 100 HC
C3402	4030011600	S.CER C1608 JB 1E 104K-T
C3403	4030011600	S.CER C1608 JB 1E 104K-T
C3404	4510004990	ELE 16 ME 100 HC
C3501	4510008520	S.ELE EEE1CA470SP
C3502	4030011600	S.CER C1608 JB 1E 104K-T
C3503	4510008570	S.ELE EEE1CA220SR
C3504	4030011600	S.CER C1608 JB 1E 104K-T
C3505	4030006880	S.CER C1608 JB 1H 472K-T
C3506	4030011600	S.CER C1608 JB 1E 104K-T
C3507	4510008520	S.ELE EEE1CA470SP
C3508	4510008520	S.ELE EEE1CA470SP
C3509	4030011600	S.CER C1608 JB 1E 104K-T
C3510	4510008540	S.ELE EEE1CA100SR

M.=Mounted side (T: Mounted on the Top side, B: Mounted on the Bottom side)
S.=Surface mount

[MAIN UNIT]

REF NO.	ORDER NO.	DESCRIPTION
C3511	4030011600	S.CER C1608 JB 1E 104K-T
C3512	4510008520	S.ELE EEE1CA470SP
C3513	4030011600	S.CER C1608 JB 1E 104K-T
C3601	4510008540	S.ELE EEE1CA100SR
C3602	4030011600	S.CER C1608 JB 1E 104K-T
C3702	4550006390	S.TAN TEESVA 1C 335M8R
C3801	4030006880	S.CER C1608 JB 1H 472K-T
C4003	4030011600	S.CER C1608 JB 1E 104K-T
C4005	4030011600	S.CER C1608 JB 1E 104K-T
C4006	4030011600	S.CER C1608 JB 1E 104K-T
C4007	4030011600	S.CER C1608 JB 1E 104K-T
C4008	4030011600	S.CER C1608 JB 1E 104K-T
C4009	4030011600	S.CER C1608 JB 1E 104K-T
C4101	4030006880	S.CER C1608 JB 1H 472K-T
C4102	4030006880	S.CER C1608 JB 1H 472K-T
C4103	4030006880	S.CER C1608 JB 1H 472K-T
C4104	4030006880	S.CER C1608 JB 1H 472K-T
C4105	4030006880	S.CER C1608 JB 1H 472K-T
C4106	4030006880	S.CER C1608 JB 1H 472K-T
C4107	4030006880	S.CER C1608 JB 1H 472K-T
C4200	4030006880	S.CER C1608 JB 1H 472K-T
C4201	4030007090	S.CER C1608 CH 1H 470J-T
C4202	4030007090	S.CER C1608 CH 1H 470J-T
C4203	4030007090	S.CER C1608 CH 1H 470J-T
C4204	4030007090	S.CER C1608 CH 1H 470J-T
C4205	4030007090	S.CER C1608 CH 1H 470J-T
C4206	4030007090	S.CER C1608 CH 1H 470J-T
C4207	4030007090	S.CER C1608 CH 1H 470J-T
C4208	4030007090	S.CER C1608 CH 1H 470J-T
C4209	4030007090	S.CER C1608 CH 1H 470J-T
C4210	4030007090	S.CER C1608 CH 1H 470J-T
C4211	4030006880	S.CER C1608 JB 1H 472K-T
C4212	4030006880	S.CER C1608 JB 1H 472K-T
C4213	4030006880	S.CER C1608 JB 1H 472K-T
C4214	4030006880	S.CER C1608 JB 1H 472K-T
C4215	4030006880	S.CER C1608 JB 1H 472K-T
C4216	4030006880	S.CER C1608 JB 1H 472K-T
C4217	4030006880	S.CER C1608 JB 1H 472K-T
C4218	4030006880	S.CER C1608 JB 1H 472K-T
C4219	4030006880	S.CER C1608 JB 1H 472K-T
C4220	4030011600	S.CER C1608 JB 1E 104K-T
C4221	4030006880	S.CER C1608 JB 1H 472K-T
C4222	4030006880	S.CER C1608 JB 1H 472K-T
C4223	4030006880	S.CER C1608 JB 1H 472K-T
C4224	4030006880	S.CER C1608 JB 1H 472K-T
C4225	4030006880	S.CER C1608 JB 1H 472K-T
C4226	4030006880	S.CER C1608 JB 1H 472K-T
C4227	4030011600	S.CER C1608 JB 1E 104K-T
C4401	4030006880	S.CER C1608 JB 1H 472K-T
C4402	4030006880	S.CER C1608 JB 1H 472K-T
C4403	4030006880	S.CER C1608 JB 1H 472K-T
C4404	4030006880	S.CER C1608 JB 1H 472K-T
C4405	4030006880	S.CER C1608 JB 1H 472K-T
C4407	4030006880	S.CER C1608 JB 1H 472K-T
C4408	4030006880	S.CER C1608 JB 1H 472K-T
C4409	4030006880	S.CER C1608 JB 1H 472K-T
C4410	4030006880	S.CER C1608 JB 1H 472K-T
C4411	4030006880	S.CER C1608 JB 1H 472K-T
C4412	4030006880	S.CER C1608 JB 1H 472K-T
C4413	4030006880	S.CER C1608 JB 1H 472K-T
C4414	4030006880	S.CER C1608 JB 1H 472K-T
C4415	4030011600	S.CER C1608 JB 1E 104K-T
C4416	4030006880	S.CER C1608 JB 1H 472K-T
C4417	4030006880	S.CER C1608 JB 1H 102K-T
C4501	4030006880	S.CER C1608 JB 1H 472K-T
C4502	4030006880	S.CER C1608 JB 1H 102K-T
C4648	4030006880	S.CER C1608 JB 1H 472K-T
C4651	4030006880	S.CER C1608 JB 1H 472K-T
C4653	4030006880	S.CER C1608 JB 1H 472K-T
C4654	4030006880	S.CER C1608 JB 1H 472K-T
C4655	4030006880	S.CER C1608 JB 1H 472K-T
C4656	4030006880	S.CER C1608 JB 1H 472K-T
C4659	4030006880	S.CER C1608 JB 1H 472K-T
C4660	4030006880	S.CER C1608 JB 1H 472K-T
C4661	4030006880	S.CER C1608 JB 1H 472K-T
C4662	4030006880	S.CER C1608 JB 1H 472K-T
C4801	4030006880	S.CER C1608 JB 1H 472K-T
C4802	4030006880	S.CER C1608 JB 1H 472K-T
C4803	4030006880	S.CER C1608 JB 1H 472K-T
C5001	4030006880	S.CER C1608 JB 1H 102K-T
C5101	4030006880	S.CER C1608 JB 1H 472K-T
C5102	4030006880	S.CER C1608 JB 1H 472K-T
C5601	4030011600	S.CER C1608 JB 1E 104K-T
C5602	4030011600	S.CER C1608 JB 1E 104K-T
C5604	4510009120	S.ELE EEE1VA2R2NR
RL4801	6330001320	REL AHY103
J1	6510007020	CON TMP-J01X-V6
J201	6510018961	S.CON B2B-PH-SM4-TB(LF)(SN)
J401	6510018961	S.CON B2B-PH-SM4-TB(LF)(SN)
J701	6510007020	CON TMP-J01X-V6
J2001	6510018961	S.CON B2B-PH-SM4-TB(LF)(SN)
J3601	6510003391	CON B03B-EH-S(LF)(SN)
J4001	6510022621	S.CON 10FMN-BMTTR-A-TBT(LF)(SN)
J4101	6510022611	S.CON 16FMN-BMTTR-A-TBT(LF)(SN)
J4201	6510021722	S.CON 30FLT-SM2-TB(LF)(SN)(M)
J4401	6510021722	S.CON 30FLT-SM2-TB(LF)(SN)(M)
J4501	6450000140	CON HSJ0807-01-010
J4502	6510018961	S.CON B2B-PH-SM4-TB(LF)(SN)
J4651	6510024661	CON TCS5072-1041577
J4801	6450001130	CON JPJ2042-01-110

[MAIN UNIT]

REF NO.	ORDER NO.	DESCRIPTION
J5001	6450000140	CON HSJ0807-01-010
J5101	6450001791	CON HLJ7000-016010
EP4801	6910012350	S.BEA MMZ1608Y 102BT

M.=Mounted side (T: Mounted on the Top side, B: Mounted on the Bottom side)
S.=Surface mount

[PLL UNIT]

REF NO.	ORDER NO.	DESCRIPTION	
WS1	8970023890	SX2241	0.8DA (1)/PL
WS2	8970023630	SX2242	(1)/PL
WS3	8970023900	SX2241	0.8DB (1)/PL
IC1	1180001071	S.IC	TA7805F(TE16L,Q)
IC2	1140014960	S.IC	TC190G02EFG-0058/SC1287A
IC6	1140007881	S.IC	TC190G08EFG0046J/DZ/SC1246A
IC7	1130003611	S.IC	TC4SU69F(TE85R,F)
Q9	1530002371	S.TRA	2SC2714-O(TE85R,F)
Q10	1530002371	S.TRA	2SC2714-O(TE85R,F)
Q11	1530002371	S.TRA	2SC2714-O(TE85R,F)
Q12	1530002060	S.TRA	2SC4081 T106 R
Q18	1560000491	S.FET	2SK508-T2B-A K52
Q26	1530002371	S.TRA	2SC2714-O(TE85R,F)
Q28	1530002371	S.TRA	2SC2714-O(TE85R,F)
Q29	1530002371	S.TRA	2SC2714-O(TE85R,F)
Q30	1530002371	S.TRA	2SC2714-O(TE85R,F)
Q32	1530002371	S.TRA	2SC2714-O(TE85R,F)
Q33	1590000680	S.TRA	DTC114EUA T106
Q34	1530002060	S.TRA	2SC4081 T106 R
Q35	1530002060	S.TRA	2SC4081 T106 R
D4	1720000860	S.VAR	KV1770S G 1-2
	1720000860	S.VAR	KV1770S G 1-2
	1720000831	S.VAR	KV1770STL-G
	1720000831	S.VAR	KV1770STL-G
	1720000831	S.VAR	KV1770STL-G
	1720000860	S.VAR	KV1770S G 1-2
D12	1750000021	S.DIO	1SS184(TE85R,F)
D15	1750000071	S.DIO	1SS226(TE85R,F)
D16	1790001251	S.DIO	MA2S1110GL
X1	6050007351	XTA	CR-337A HC-49/U 32.000 MHz
L1	6200009300	S.COI	ELJPA 100KF 10U
L2	6200001831	S.COI	NLV32T-100J
L3	6170000231	COI	LW-25A
L4	6150004370	COI	LS-472C (C-15045)
L5	6200001831	S.COI	NLV32T-100J
L6	6150004250	COI	LS-471A (C-14922)
L7	6150004250	COI	LS-471A (C-14922)
L8	6200001831	S.COI	NLV32T-100J
L9	6200003960	S.COI	MLF1608A 1R0K-T
L10	6200003640	S.COI	MLF1608E 100K-T
L12	6200009300	S.COI	ELJPA 100KF 10U
L14	6200003131	S.COI	NLV32T-120J
L15	6200003141	S.COI	NLV32T-150J
L19	6190001281	COI	#E544GN-110248
L25	6200001831	S.COI	NLV32T-100J
L26	6170000231	COI	LW-25A
L27	6170000231	COI	LW-25A
L30	6200001831	S.COI	NLV32T-100J
L32	6200003051	S.COI	NLV32T-R82J
L34	6200003431	S.COI	NLV32T-R10J
L35	6200003421	S.COI	NLV32T-R15J
L36	6200003431	S.COI	NLV32T-R10J
L37	6200003451	S.COI	NLV32T-082J
L38	6200003331	S.COI	NLV32T-1R0J
L39	6200003051	S.COI	NLV32T-R82J
L41	6200001831	S.COI	NLV32T-100J
L42	6200003051	S.COI	NLV32T-R82J
L44	6200003161	S.COI	NLV32T-270J
L45	6200001711	S.COI	NLV32T-220J
L46	6200003151	S.COI	NLV32T-180J
L47	6200001831	S.COI	NLV32T-100J
L48	6200003041	S.COI	NLV32T-R68J
L49	6200004470	S.COI	MLF1608D R12K-T
L50	6200004470	S.COI	MLF1608D R12K-T
R2	7030003320	S.RES	ERJ3GEYJ 101 V (100)
R3	7030003480	S.RES	ERJ3GEYJ 222 V (2.2K)
R4	7030003400	S.RES	ERJ3GEYJ 471 V (470)
R5	7030003320	S.RES	ERJ3GEYJ 101 V (100)
R6	7030003560	S.RES	ERJ3GEYJ 103 V (10K)
R7	7030003360	S.RES	ERJ3GEYJ 221 V (220)
R8	7030003360	S.RES	ERJ3GEYJ 221 V (220)
R9	7030003600	S.RES	ERJ3GEYJ 223 V (22K)
R10	7030003600	S.RES	ERJ3GEYJ 223 V (22K)
R12	7030003580	S.RES	ERJ3GEYJ 153 V (15K)
R13	7030003400	S.RES	ERJ3GEYJ 471 V (470)
R14	7030003520	S.RES	ERJ3GEYJ 472 V (4.7K)
R15	7030003320	S.RES	ERJ3GEYJ 101 V (100)
R16	7030003600	S.RES	ERJ3GEYJ 223 V (22K)
R17	7030003360	S.RES	ERJ3GEYJ 221 V (220)
R18	7030003360	S.RES	ERJ3GEYJ 221 V (220)
R19	7030003360	S.RES	ERJ3GEYJ 221 V (220)
R20	7030003400	S.RES	ERJ3GEYJ 471 V (470)
R21	7030003560	S.RES	ERJ3GEYJ 103 V (10K)
R22	7030003640	S.RES	ERJ3GEYJ 473 V (47K)
R23	7030003560	S.RES	ERJ3GEYJ 103 V (10K)
R24	7030007220	S.RES	ERA3YED 202V (2K)
R25	7030007220	S.RES	ERA3YED 202V (2K)
R26	7030007230	S.RES	ERA3YED 102V (1K)
R27	7030007220	S.RES	ERA3YED 202V (2K)
R28	7030007230	S.RES	ERA3YED 102V (1K)
R29	7030007220	S.RES	ERA3YED 202V (2K)
R30	7030007230	S.RES	ERA3YED 102V (1K)
		[OHT]	
		[OHT-1]	
		[OHT-2]	
		[OHT-3]	
		[CHN]	
		[CHN-01]	

[PLL UNIT]

REF NO.	ORDER NO.	DESCRIPTION	
R31	7030007220	S.RES	ERA3YED 202V (2K)
R32	7030007230	S.RES	ERA3YED 102V (1K)
R33	7030007220	S.RES	ERA3YED 202V (2K)
R34	7030007230	S.RES	ERA3YED 102V (1K)
R35	7030007220	S.RES	ERA3YED 202V (2K)
R36	7030007230	S.RES	ERA3YED 102V (1K)
R37	7030007220	S.RES	ERA3YED 202V (2K)
R38	7030007210	S.RES	ERA3YEB 102V (1K)
R39	7030007200	S.RES	ERA3YEB 202V (2K)
R40	7030007210	S.RES	ERA3YEB 102V (1K)
R41	7030007200	S.RES	ERA3YEB 202V (2K)
R42	7030007210	S.RES	ERA3YEB 102V (1K)
R43	7030007200	S.RES	ERA3YEB 202V (2K)
R44	7030003640	S.RES	ERJ3GEYJ 473 V (47K)
R49	7030003360	S.RES	ERJ3GEYJ 221 V (220)
R51	7030003510	S.RES	ERJ3GEYJ 392 V (3.9K)
R52	7030003420	S.RES	ERJ3GEYJ 681 V (680)
R53	7030003510	S.RES	ERJ3GEYJ 392 V (3.9K)
R57	7030003440	S.RES	ERJ3GEYJ 102 V (1K)
R74	7030003550	S.RES	ERJ3GEYJ 822 V (8.2K)
R75	7030003510	S.RES	ERJ3GEYJ 392 V (3.9K)
R78	7030003320	S.RES	ERJ3GEYJ 101 V (100)
R84	7030003500	S.RES	ERJ3GEYJ 332 V (3.3K)
R85	7030003550	S.RES	ERJ3GEYJ 822 V (8.2K)
R87	7030003320	S.RES	ERJ3GEYJ 101 V (100)
R88	7030003320	S.RES	ERJ3GEYJ 101 V (100)
R89	7030003400	S.RES	ERJ3GEYJ 471 V (470)
R90	7030003400	S.RES	ERJ3GEYJ 471 V (470)
R91	7030003440	S.RES	ERJ3GEYJ 102 V (1K)
R93	7030003440	S.RES	ERJ3GEYJ 102 V (1K)
R94	7030003440	S.RES	ERJ3GEYJ 102 V (1K)
R95	7030003440	S.RES	ERJ3GEYJ 102 V (1K)
R96	7030003440	S.RES	ERJ3GEYJ 102 V (1K)
R97	7030003440	S.RES	ERJ3GEYJ 102 V (1K)
R98	7030003440	S.RES	ERJ3GEYJ 102 V (1K)
R99	7030003440	S.RES	ERJ3GEYJ 102 V (1K)
R102	7030006080	S.RES	ERJ1WYJ220U (22)
R103	7030003640	S.RES	ERJ3GEYJ 473 V (47K)
R104	7030003640	S.RES	ERJ3GEYJ 473 V (47K)
R105	7030003640	S.RES	ERJ3GEYJ 473 V (47K)
R106	7030003640	S.RES	ERJ3GEYJ 473 V (47K)
R107	7030003640	S.RES	ERJ3GEYJ 473 V (47K)
R108	7030003640	S.RES	ERJ3GEYJ 473 V (47K)
R116	7030003320	S.RES	ERJ3GEYJ 101 V (100)
R117	7030003640	S.RES	ERJ3GEYJ 473 V (47K)
R118	7030003280	S.RES	ERJ3GEYJ 470 V (47)
R119	7030003640	S.RES	ERJ3GEYJ 473 V (47K)
R120	7030003640	S.RES	ERJ3GEYJ 473 V (47K)
R121	7030003360	S.RES	ERJ3GEYJ 221 V (220)
R127	7030003480	S.RES	ERJ3GEYJ 222 V (2.2K)
R132	7030007220	S.RES	ERA3YED 202V (2K)
R133	7030007230	S.RES	ERA3YED 102V (1K)
R134	7030007230	S.RES	ERA3YED 102V (1K)
R135	7030007230	S.RES	ERA3YED 102V (1K)
R136	7030007230	S.RES	ERA3YED 102V (1K)
R137	7030007230	S.RES	ERA3YED 102V (1K)
R138	7030007230	S.RES	ERA3YED 102V (1K)
R139	7030007210	S.RES	ERA3YEB 102V (1K)
R140	7030007210	S.RES	ERA3YEB 102V (1K)
R141	7030007210	S.RES	ERA3YEB 102V (1K)
R142	7030007210	S.RES	ERA3YEB 102V (1K)
R143	7030007210	S.RES	ERA3YEB 102V (1K)
R144	7030007220	S.RES	ERA3YED 202V (2K)
R145	7030007220	S.RES	ERA3YED 202V (2K)
R146	7030007220	S.RES	ERA3YED 202V (2K)
R147	7030007220	S.RES	ERA3YED 202V (2K)
R148	7030007220	S.RES	ERA3YED 202V (2K)
R149	7030007220	S.RES	ERA3YED 202V (2K)
R150	7030007200	S.RES	ERA3YEB 202V (2K)
R151	7030007200	S.RES	ERA3YEB 202V (2K)
R152	7030007200	S.RES	ERA3YEB 202V (2K)
R153	7030007200	S.RES	ERA3YEB 202V (2K)
R154	7030007200	S.RES	ERA3YEB 202V (2K)
R155	7030007220	S.RES	ERA3YED 202V (2K)
R156	7030003350	S.RES	ERJ3GEYJ 181 V (180)
R158	7030003320	S.RES	ERJ3GEYJ 101 V (100)
R159	7030003560	S.RES	ERJ3GEYJ 103 V (10K)
R160	7030003560	S.RES	ERJ3GEYJ 103 V (10K)
R161	7030003360	S.RES	ERJ3GEYJ 221 V (220)
R162	7030003430	S.RES	ERJ3GEYJ 821 V (820)
R164	7030003440	S.RES	ERJ3GEYJ 102 V (1K)
R165	7030003800	S.RES	ERJ3GEYJ 105 V (1M)
R166	7030003800	S.RES	ERJ3GEYJ 105 V (1M)
R169	7030003260	S.RES	ERJ3GEYJ 330 V (33)
R171	7030003350	S.RES	ERJ3GEYJ 181 V (180)
R172	7030003350	S.RES	ERJ3GEYJ 181 V (180)
R180	7030003480	S.RES	ERJ3GEYJ 222 V (2.2K)
R181	7030003580	S.RES	ERJ3GEYJ 153 V (15K)
R182	7030003620	S.RES	ERJ3GEYJ 333 V (33K)
R183	7030003520	S.RES	ERJ3GEYJ 472 V (4.7K)
R191	7030003350	S.RES	ERJ3GEYJ 181 V (180)
R192	7030003440	S.RES	ERJ3GEYJ 102 V (1K)
W1	7030003860	S.RES	ERJ3GE JPW V
W7	7030003860	S.RES	ERJ3GE JPW V
W9	7030003860	S.RES	ERJ3GE JPW V
W10	7030003860	S.RES	ERJ3GE JPW V
W92	7030003860	S.RES	ERJ3GE JPW V
W170	7030003860	S.RES	ERJ3GE JPW V
C1	4510008500	S.ELE	EEE1CA101WP
C2	4550006080	S.TAN	TEESV2 1C 106M8R

M.=Mounted side (T: Mounted on the Top side, B: Mounted on the Bottom side)
S.=Surface mount

[PLL UNIT]

REF NO.	ORDER NO.	DESCRIPTION
C3	4030006880	S.CER C1608 JB 1H 472K-T
C4	4550006080	S.TAN TEESVB2 1C 106M8R
C5	4510008880	S.ELE EEE1VA330WP
C6	4510008540	S.ELE EEE1CA100SR
C7	4030011600	S.CER C1608 JB 1E 104K-T
C8	4510008540	S.ELE EEE1CA100SR
C9	4510008540	S.ELE EEE1CA100SR
C10	4030011600	S.CER C1608 JB 1E 104K-T
C12	4030006880	S.CER C1608 JB 1H 472K-T
C13	4030006880	S.CER C1608 JB 1H 472K-T
C14	4030007150	S.CER C1608 CH 1H 151J-T
C15	4030008330	S.CER C1608 UJ 1H 560J-T
C16	4610002200	S.TRI TZB4R200EB10R00(TZBX4R200BE110)
C17	4030006880	S.CER C1608 JB 1H 472K-T
C18	4030007130	S.CER C1608 CH 1H 101J-T
C19	4030006880	S.CER C1608 JB 1H 472K-T
C20	4030007030	S.CER C1608 CH 1H 150J-T
C21	4510008500	S.ELE EEE1CA101WP
C22	4030006880	S.CER C1608 JB 1H 472K-T
C23	4030009500	S.CER C1608 CH 1H 0R5B-T
C24	4030007030	S.CER C1608 CH 1H 150J-T
C25	4030018700	S.CER GRM1882P1H121JZ01D
C26	4030007130	S.CER C1608 CH 1H 101J-T
C27	4030006880	S.CER C1608 JB 1H 472K-T
C28	4030006880	S.CER C1608 JB 1H 472K-T
C29	4030006880	S.CER C1608 JB 1H 472K-T
C30	4030006880	S.CER C1608 JB 1H 472K-T
C31	4030006880	S.CER C1608 JB 1H 472K-T
C32	4030006880	S.CER C1608 JB 1H 472K-T
C33	4510008500	S.ELE EEE1CA101WP
C34	4030006880	S.CER C1608 JB 1H 472K-T
C50	4030007050	S.CER C1608 CH 1H 220J-T
C51	4030006930	S.CER C1608 CH 1H 020C-T
C52	4030007060	S.CER C1608 CH 1H 270J-T
C53	4030009500	S.CER C1608 CH 1H 0R5B-T
C54	4030007050	S.CER C1608 CH 1H 220J-T
C55	4030006880	S.CER C1608 JB 1H 472K-T
C62	4030007130	S.CER C1608 CH 1H 101J-T
C63	4030006880	S.CER C1608 JB 1H 472K-T
C64	4030006880	S.CER C1608 JB 1H 472K-T
C65	4030006920	S.CER C1608 CH 1H 010C-T
C66	4030006880	S.CER C1608 JB 1H 472K-T
C67	4030007130	S.CER C1608 CH 1H 101J-T
C68	4030006860	S.CER C1608 JB 1H 102K-T
C103	4030006880	S.CER C1608 JB 1H 472K-T
C104	4030006880	S.CER C1608 JB 1H 472K-T
C106	4030006880	S.CER C1608 JB 1H 472K-T
C108	4030006880	S.CER C1608 JB 1H 472K-T
C109	4030006880	S.CER C1608 JB 1H 472K-T
C111	4030006860	S.CER C1608 JB 1H 102K-T
C112	4030007100	S.CER C1608 CH 1H 560J-T
C114	4030007080	S.CER C1608 CH 1H 390J-T
C115	4030009650	S.CER C1608 CH 1H 240J-T
C116	4030006990	S.CER C1608 CH 1H 080D-T
C117	4030007070	S.CER C1608 CH 1H 330J-T
C118	4030006880	S.CER C1608 JB 1H 472K-T
C119	4030006860	S.CER C1608 JB 1H 102K-T
C120	4030006880	S.CER C1608 JB 1H 472K-T
C126	4030006880	S.CER C1608 JB 1H 472K-T
C127	4030006860	S.CER C1608 JB 1H 102K-T
C128	4030006880	S.CER C1608 JB 1H 472K-T
C129	4030006880	S.CER C1608 JB 1H 472K-T
C130	4030006860	S.CER C1608 JB 1H 102K-T
C132	4030007130	S.CER C1608 CH 1H 101J-T
C134	4030007100	S.CER C1608 CH 1H 560J-T
C135	4030006950	S.CER C1608 CH 1H 040C-T
C136	4030007020	S.CER C1608 CH 1H 120J-T
C137	4030007110	S.CER C1608 CH 1H 680J-T
C138	4030007100	S.CER C1608 CH 1H 560J-T
C139	4030006880	S.CER C1608 JB 1H 472K-T
C141	4030006880	S.CER C1608 JB 1H 472K-T
C143	4030006880	S.CER C1608 JB 1H 472K-T
C144	4030006880	S.CER C1608 JB 1H 472K-T
C145	4030006880	S.CER C1608 JB 1H 472K-T
C146	4030006880	S.CER C1608 JB 1H 472K-T
C147	4030006880	S.CER C1608 JB 1H 472K-T
C148	4030006880	S.CER C1608 JB 1H 472K-T
C149	4030006880	S.CER C1608 JB 1H 472K-T
C150	4030006880	S.CER C1608 JB 1H 472K-T
C151	4030006880	S.CER C1608 JB 1H 472K-T
C152	4030006880	S.CER C1608 JB 1H 472K-T
C153	4030006880	S.CER C1608 JB 1H 472K-T
C155	4030006880	S.CER C1608 JB 1H 472K-T
C156	4030007050	S.CER C1608 CH 1H 220J-T
C157	4030007080	S.CER C1608 CH 1H 390J-T
C158	4030006860	S.CER C1608 JB 1H 102K-T
C159	4030006860	S.CER C1608 JB 1H 102K-T
C160	4030006880	S.CER C1608 JB 1H 472K-T
C161	4030008920	S.CER C1608 JB 1H 473K-T
C165	4610001850	S.TRI TZB4R200AB10R00(TZBX4R200BA110)
C166	4550000460	S.TAN TEESVA 1C 105M8R
C167	4030006880	S.CER C1608 JB 1H 472K-T
C168	4030008920	S.CER C1608 JB 1H 473K-T
C170	4030006880	S.CER C1608 JB 1H 472K-T
C172	4030007060	S.CER C1608 CH 1H 270J-T
C174	4030008920	S.CER C1608 JB 1H 473K-T
C188	4030011600	S.CER C1608 JB 1E 104K-T
C191	4030006880	S.CER C1608 JB 1H 472K-T
C192	4030006880	S.CER C1608 JB 1H 472K-T
C194	4030011340	S.CER C1608 CH 1H 471J-T
C195	4030011340	S.CER C1608 CH 1H 471J-T
C203	4030006880	S.CER C1608 JB 1H 472K-T
C222	4030006880	S.CER C1608 JB 1H 472K-T
C223	4030011600	S.CER C1608 JB 1E 104K-T

[PLL UNIT]

REF NO.	ORDER NO.	DESCRIPTION
C224	4030011600	S.CER C1608 JB 1E 104K-T
C225	4030006940	S.CER C1608 CH 1H 030C-T
C226	4030006940	S.CER C1608 CH 1H 030C-T
C227	4030007100	S.CER C1608 CH 1H 560J-T
C228	4550002890	S.TAN TEESVA 1A 225M8R
J1	6510018961	S.CON B2B-PH-SM4-TB(LF)(SN)
J3	6510022611	S.CON 16FMN-BMTR-A-TBT(LF)(SN)
J4	6510018961	S.CON B2B-PH-SM4-TB(LF)(SN)

M.=Mounted side (T: Mounted on the Top side, B: Mounted on the Bottom side)
S.=Surface mount

[PA UNIT]

REF NO.	ORDER NO.	DESCRIPTION	M.	H/V LOCATION
WS1	8600036631	SX2242 P01*J14*15*16*17PA-1		
WS2	8600036641	SX2242 J12*13PA-1 50MM [OHT]		
	8600036641	SX2242 J12*13PA-1 50MM [OHT-1]		
	8600036640	SX2242 J12*13PA 110MM [OHT-2]		
	8600036640	SX2242 J12*13PA 110MM [OHT-3]		
	8600036640	SX2242 J12*13PA 110MM [CHN]		
	8600036641	SX2242 J12*13PA-1 50MM [CHN-01]		
IC1	1180001251	S.IC TA7808F(TE16L,Q)	T	153.2/97.2
Q1	1560001241	S.FET RD01MUS1-T113	T	160.1/60
Q2	1560001530	FET RD15HVF1-101		
Q3	1560001530	FET RD15HVF1-101		
Q4	1560001601	FET RD70HHF1C-102		
Q5	1560001601	FET RD70HHF1C-102		
Q7	1590003281	S.TRA UNR9211G0L	T	24.8/106.2
D4	1790000700	DIO DSA3A1		
D5	1790000700	DIO DSA3A1		
D6	1160000050	S.DIO DAP202U T106	T	25.1/102.2
D7	1730000481	S.ZEN RD10M-T2B-A B3	T	74.9/34.6
D8	1160000060	S.DIO DAN202U T106	T	115.8/78.7
D9	1160000060	S.DIO DAN202U T106	T	115.7/49.7
D10	1160000060	S.DIO DAN202U T106	T	151.3/83.7
D11	1160000060	S.DIO DAN202U T106	T	149.9/52.2
L1	6140002350	COI LR-274 (RIB4X7X5 3A6)		
L2	6140002980	COI LR-143 <KN>		
L3	6140003600	COI LR-401 <KN>		
L4	6140003590	COI LR-400 (TR10X5X5 6H3)		
L5	6140004570	COI LR-507		
L24	6200003241	S.COI NLV32T-221J	T	166.5/94.7
L25	6200003241	S.COI NLV32T-221J	T	166.5/91.7
R1	7030003310	S.RES ERJ3GEYJ 820 V (82)	T	164.6/60.4
R2	7030003510	S.RES ERJ3GEYJ 392 V (3.9K)	T	164.6/62.2
R3	7030003400	S.RES ERJ3GEYJ 471 V (470)	T	157.3/53.8
R4	7030006210	S.RES ERJ12YJ4R7U (4.7)	T	164.4/68.5
R5	7030006260	S.RES ERJ12YJ471U (470) [OHT]	T	159/67.9
	7030006240	S.RES ERJ12YJ181U (180) [OHT-1]		
	7030006240	S.RES ERJ12YJ181U (180) [OHT-2]		
	7030006240	S.RES ERJ12YJ181U (180) [OHT-3]		
	7030006240	S.RES ERJ12YJ181U (180) [CHN]		
	7030006240	S.RES ERJ12YJ181U (180) [CHN-01]		
R6	7030003450	S.RES ERJ3GEYJ 122 V (1.2K)	T	167.6/60.4
R7	7030000220	S.RES MCR10EZHH 47 (470)	T	146.8/52.2
R8	7030000220	S.RES MCR10EZHH 47 (470)	T	146.8/84.6
R9	7030011300	S.RES ERJ1TY 331U (330)	T	140.3/58.9
R10	7030011300	S.RES ERJ1TY 331U (330)	T	140.1/91.3
R11	7030003230	S.RES ERJ3GEYJ 180 V (18)	T	165/52.8
R12	7030003370	S.RES ERJ3GEYJ 271 V (270)	T	167/52.3
R13	7030003370	S.RES ERJ3GEYJ 271 V (270)	T	167/53.6
R15	7030010540	S.RES ERJ1TYJ 330U (33)	T	102.2/57.2
R16	7030010540	S.RES ERJ1TYJ 330U (33)	T	101.7/66.7
R17	7030003510	S.RES ERJ3GEYJ 392 V (3.9K)	T	114.5/38.3
R18	7030003510	S.RES ERJ3GEYJ 392 V (3.9K)	T	114.5/89.7
R19	7030010570	S.RES ERJ1TYJ 4R7U (4.7)	T	21.2/46.3
R20	7030000010	S.RES MCR10EZHH JPW (000)	T	164.8/55.8
R22	7030010950	S.RES ERJ1TYJ 100U (10)	T	125.2/85.6
R26	7030003440	S.RES ERJ3GEYJ 102 V (1K)	T	12.7/42.6
R27	7030003440	S.RES ERJ3GEYJ 102 V (1K)	T	60.7/16.9
R28	7030004040	S.RES ERJ3GEYJ 4R7 V (4.7)	T	62.3/23.8
R29	7030003420	S.RES ERJ3GEYJ 681 V (680)	T	74.9/32
R31	7030003470	S.RES ERJ3GEYJ 182 V (1.8K)	T	81.5/27.4
R32	7030010570	S.RES ERJ1TYJ 4R7U (4.7)	T	21.2/50.3
R33	7030010570	S.RES ERJ1TYJ 4R7U (4.7)	T	21.2/54.5
R34	7030010540	S.RES ERJ1TYJ 330U (33)	T	101.7/61
R36	7030010540	S.RES ERJ1TYJ 330U (33)	T	102.2/70.4
R37	7030010410	S.RES ERJ1TYJ 220U (22)	T	115.7/43.8
R38	7030010410	S.RES ERJ1TYJ 220U (22)	T	115.7/84.4
R39	7030011240	S.RES LRF3W-LF-01-R020F	T	34.5/15.8
R40	7030011240	S.RES LRF3W-LF-01-R020F	T	34.5/23.4
R46	7030003510	S.RES ERJ3GEYJ 392 V (3.9K)	T	147.8/54.5
R47	7030003510	S.RES ERJ3GEYJ 392 V (3.9K)	T	148/87
R49	7030007630	S.RES MCR100ZJHJ 0.68 (R68)	T	111.3/83.9
R50	7510001360	S.THE NTCG20 3SH 333JT	T	81.2/30.8
R51	7310005240	TRI VM5CK-PVB 5K		
R52	7030003860	S.RES ERJ3GE JPW V	T	171.2/25.5
R53	7030003860	S.RES ERJ3GE JPW V	T	170/27.2
R54	7030003860	S.RES ERJ3GE JPW V	T	172.8/23.8
R55	7030003440	S.RES ERJ3GEYJ 102 V (1K)	T	152.6/80.5
R56	7310005240	TRI VM5CK-PVB 5K		
R57	7030003440	S.RES ERJ3GEYJ 102 V (1K)	T	151.4/49.9
R58	7310005240	TRI VM5CK-PVB 5K		
R60	7030007630	S.RES MCR100ZJHJ 0.68 (R68)	T	111.3/43.6
R61	7030003860	S.RES ERJ3GE JPW V	T	116.4/52.5
R62	7310005240	TRI VM5CK-PVB 5K		
R63	7030003860	S.RES ERJ3GE JPW V	T	116.4/75.5
R64	7310005240	TRI VM5CK-PVB 5K		
C1	4030017320	S.CER GRM21BB11H104KA01L (GRM40-034)	T	164.6/58.3
C2	4030004720	S.CER C2012 JB 1H 102K-T	T	160.5/53.8
C3	4030004720	S.CER C2012 JB 1H 102K-T	T	162.5/63.8
C4	4030008920	S.CER C1608 JB 1H 473K-T	T	158.5/72.7
C5	4030017190	S.CER GRM31AR32J471KW01D	T	145.5/57.7
C6	4030017190	S.CER GRM31AR32J471KW01D	T	145.3/89.8
C13	4010005870	CER HM95SJ SL 221J 500V [CHN] only		

[PA UNIT]

REF NO.	ORDER NO.	DESCRIPTION	M.	H/V LOCATION
C15	4320000270	DIP DM20C 102J5		
C17	4030008920	S.CER C1608 JB 1H 473K-T	T	167.6/62.2
C19	4030008920	S.CER C1608 JB 1H 473K-T	T	173.7/63.9
C21	4030005110	S.CER C2012 JB 1E 473K-T	T	129.1/91.3
C22	4030006860	S.CER C1608 JB 1H 102K-T	T	129.1/89.4
C27	4510004601	ELE 16 ME 1000 HC		
C28	4030006880	S.CER C1608 JB 1H 472K-T	T	12.5/43.9
C29	4030011600	S.CER C1608 JB 1E 104K-T	T	12.5/45.1
C30	4030007170	S.CER C1608 CH 1H 221J-T	T	12.5/46.3
C31	4030005110	S.CER C2012 JB 1E 473K-T	T	54.9/17.4
C32	4510004601	ELE 16 ME 1000 HC		
C33	4030006880	S.CER C1608 JB 1H 472K-T	T	75.6/15.1
C34	4030007170	S.CER C1608 CH 1H 221J-T	T	74.2/15.2
C42	4510004601	ELE 16 ME 1000 HC		
C45	4030006880	S.CER C1608 JB 1H 472K-T	T	132.9/100.3
C46	4030006880	S.CER C1608 JB 1H 472K-T	T	10/42.6
C47	4030006880	S.CER C1608 JB 1H 472K-T	T	61.5/19.1
C52	4030008920	S.CER C1608 JB 1H 473K-T	T	74.9/30.5
C53	4030008920	S.CER C1608 JB 1H 473K-T	T	25.2/104.1
C54	4030008920	S.CER C1608 JB 1H 473K-T	T	81.5/25.9
C55	4030006880	S.CER C1608 JB 1H 472K-T	T	162.5/94.3
C56	4030006880	S.CER C1608 JB 1H 472K-T	T	162.5/91.7
C57	4030006880	S.CER C1608 JB 1H 472K-T	T	162.3/87.7
C64	4030018750	S.CER C3225 CH 2J 682K-T [OHT]		
	4030018750	S.CER C3225 CH 2J 682K-T [OHT-1]		
	4030018750	S.CER C3225 CH 2J 682K-T [OHT-2]		
	4030018750	S.CER C3225 CH 2J 682K-T [OHT-3]		
	4030018750	S.CER C3225 CH 2J 682K-T [CHN-01]	T	109.4/51
C65	4030018750	S.CER C3225 CH 2J 682K-T [OHT]		
	4030018750	S.CER C3225 CH 2J 682K-T [OHT-1]		
	4030018750	S.CER C3225 CH 2J 682K-T [OHT-2]		
	4030018750	S.CER C3225 CH 2J 682K-T [OHT-3]		
	4030018750	S.CER C3225 CH 2J 682K-T [CHN-01]	T	109.6/76.8
C68	4030011740	S.CER GRM32N2C2H201JV01L (GRM42-2 CH) [OHT]		
	4030011740	S.CER GRM32N2C2H201JV01L (GRM42-2 CH) [OHT-1]	T	74.9/38.6
	4030011740	S.CER GRM32N2C2H201JV01L (GRM42-2 CH) [OHT-2]		
	4030011740	S.CER GRM32N2C2H201JV01L (GRM42-2 CH) [OHT-3]		
	4030011740	S.CER GRM32N2C2H201JV01L (GRM42-2 CH) [CHN-01]		
C69	4030011740	S.CER GRM32N2C2H201JV01L (GRM42-2 CH) [OHT]	T	74.9/89
	4030011740	S.CER GRM32N2C2H201JV01L (GRM42-2 CH) [OHT-1]		
	4030011740	S.CER GRM32N2C2H201JV01L (GRM42-2 CH) [OHT-2]		
	4030011740	S.CER GRM32N2C2H201JV01L (GRM42-2 CH) [OHT-3]		
	4030011740	S.CER GRM32N2C2H201JV01L (GRM42-2 CH) [CHN-01]		
C70	4030005050	S.CER C2012 CH 1H 331J-T	T	147.2/62.9
C72	4030011240	S.CER GRM31M2C2H470JV01L (GRM42-6 CH)	T	135.3/60.4
C73	4030018750	S.CER C3225 CH 2J 682K-T [OHT]		
	4030018750	S.CER C3225 CH 2J 682K-T [OHT-1]		
	4030018750	S.CER C3225 CH 2J 682K-T [OHT-2]		
	4030018750	S.CER C3225 CH 2J 682K-T [OHT-3]		
	4030011740	S.CER GRM32N2C2H201JV01L (GRM42-2 CH) [CHN]	T	106.4/78.2
	4030018750	S.CER C3225 CH 2J 682K-T [CHN-01]		
	4030018750	S.CER C3225 CH 2J 682K-T [OHT]		
	4030018750	S.CER C3225 CH 2J 682K-T [OHT-1]		
	4030018750	S.CER C3225 CH 2J 682K-T [OHT-2]		
	4030011740	S.CER GRM32N2C2H201JV01L (GRM42-2 CH) [CHN]		
	4030018750	S.CER C3225 CH 2J 682K-T [CHN-01]		
C75	4030011740	S.CER GRM32N2C2H201JV01L (GRM42-2 CH)	T	108.3/63.9
C77	4030006880	S.CER C1608 JB 1H 472K-T	T	142.4/100.6
C78	4030006880	S.CER C1608 JB 1H 472K-T	T	145.4/107.2
C79	4030006880	S.CER C1608 JB 1H 472K-T	T	140.2/103.7
C80	4030006880	S.CER C1608 JB 1H 472K-T	T	141.4/108.7
C81	4030017320	S.CER GRM21BB11H104KA01L (GRM40-034)	T	148.2/60.2
C82	4030017320	S.CER GRM21BB11H104KA01L (GRM40-034)	T	148.3/79.7
C83	4030008920	S.CER C1608 JB 1H 473K-T	T	153.5/83.6
C84	4030008920	S.CER C1608 JB 1H 473K-T	T	152.1/52.1
C85	4030008920	S.CER C1608 JB 1H 473K-T	T	115.2/75.5
C86	4030008920	S.CER C1608 JB 1H 473K-T	T	115/52.5
C87	4030011600	S.CER C1608 JB 1E 104K-T	T	24.7/108.4
C94	4030011600	S.CER C1608 JB 1E 104K-T	T	164.5/82.3
C102	4030008960	S.CER C3216 JB 1C 106MT-F	T	150/102.6
C103	4510008520	S.ELE EEE1CA470SP	T	155.1/90.2
C104	4030011600	S.CER C1608 JB 1E 104K-T	T	145.7/98.6
C105	4030011600	S.CER C1608 JB 1E 104K-T	T	145.7/95.6
C111	4030011740	S.CER GRM32N2C2H201JV01L (GRM42-2 CH)	T	77.9/38.6
C112	4030011740	S.CER GRM32N2C2H201JV01L (GRM42-2 CH)	T	77.9/89
C201	4030011740	S.CER GRM32N2C2H201JV01L (GRM42-2 CH)	T	69.7/64
RL1	6330001600	REL ALD 112		
J3	6510022611	S.CON 16FMN-BMTRR-A-TBT(LF)(SN)	T	131.1/106.5
J6	6510007020	CON TMP-J01X-V6		
J7	6510007020	CON TMP-J01X-V6		

M.=Mounted side (T: Mounted on the Top side, B: Mounted on the Bottom side) S.=Surface mount

[PA UNIT]

REF NO.	ORDER NO.	DESCRIPTION	M.	H/V LOCATION
F1	5210000131	FUS FGB 4A PBF (FGB0 125V)		
F2	5220000230	HOL S-N5054 #01		
F3	5220000230	HOL S-N5054 #01		
W11	9045201001	WIR 74/98/040/X98/X98		[CHN] only
W14	9045201001	WIR 74/98/040/X98/X98		[CHN] only
W15	9045201001	WIR 74/98/040/X98/X98		[CHN] only
W25	9033604001	WIR 72/99/035/X98/X98		[CHN] only
EP1	6910019200	S.BEA N2012ZPS121T50	T	128.4/83.1
EP2	6910019200	S.BEA N2012ZPS121T50	T	128.4/86.9
EP6	6910012350	S.BEA MMZ1608Y 102BT	T	163.8/80.1
EP8	6910019200	S.BEA N2012ZPS121T50	T	112.2/94.1
EP11	6910012350	S.BEA MMZ1608Y 102BT	T	140.2/102.2
EP14	6910012350	S.BEA MMZ1608Y 102BT	T	134.1/100.3
EP21	6910012350	S.BEA MMZ1608Y 102BT	T	142.9/108.7
EP26	6910018930	S.BEA MPZ2012S601A	T	166.6/89
EP27	6910018930	S.BEA MPZ2012S601A	T	166.6/86.5

[FILTER UNIT]

REF NO.	ORDER NO.	DESCRIPTION
D1	1160000070	S.DIO DAN202K T146
D2	1790000981	S.DIO MA3J7420GL
D3	1790000981	S.DIO MA3J7420GL
L1	6140001990	COI LR-226 (T68-2)
L2	6140002000	COI LR-227 (T68-2)
L3	6140001780	COI LR-214 (T50-2)
L4	6140001790	COI LR-215 (T50-2)
L5	6140002260	COI LR-238 (T68-2)
L6	6140002260	COI LR-238 (T68-2)
L7	6140004770	COI LR-537
L8	6140004750	COI LR-535
L9	6110002910	COI LA-480
L10	6110002920	COI LA-481
L11	6110002890	COI LA-478
L12	6110002900	COI LA-479
L13	6140003490	COI LR-391 (TR10X5X5 3A6)
L14	6140002520	COI LR-290 (TR6X3X2 7A3)
L15	6200002041	S.COI NLV25T-101J
L16	6200005051	S.COI NLV25T-330J
L17	6200005051	S.COI NLV25T-330J
L18	6200005051	S.COI NLV25T-330J
L19	6200005051	S.COI NLV25T-330J
L20	6200005011	S.COI NLV25T-100J
L21	6200005011	S.COI NLV25T-100J
L22	6200002041	S.COI NLV25T-101J
L23	6200002041	S.COI NLV25T-101J
L24	6140001810	COI LR-217 (T50-10)
L25	6110001680	COI LA-254
L100	6200005051	S.COI NLV25T-330J
L101	6200005051	S.COI NLV25T-330J
L102	6200005011	S.COI NLV25T-100J
L103	6200005051	S.COI NLV25T-330J
L104	6200005011	S.COI NLV25T-100J
L105	6200005051	S.COI NLV25T-330J
R1	7540000250	ABS SA05C 401N
R2	7030003590	S.RES ERJ3GEYJ 183 V (18K)
R3	7030008190	S.RES ERJ12YJ330U (33)
R4	7030003560	S.RES ERJ3GEYJ 103 V (10K)
R5	7030003560	S.RES ERJ3GEYJ 103 V (10K)
R6	7030003560	S.RES ERJ3GEYJ 103 V (10K)
R7	7030003400	S.RES ERJ3GEYJ 471 V (470)
R8	7030003640	S.RES ERJ3GEYJ 473 V (47K)
R9	7030003640	S.RES ERJ3GEYJ 473 V (47K)
R20	7030003580	S.RES ERJ3GEYJ 153 V (15K)
W5	7030008240	S.RES ERJ12Y0R00U
W72	7030003860	S.RES ERJ3GE JPW V
W73	7030003860	S.RES ERJ3GE JPW V
C1	4030008920	S.CER C1608 JB 1H 473K-T
C2	4030008920	S.CER C1608 JB 1H 473K-T
C3	4030008920	S.CER C1608 JB 1H 473K-T
C4	4030008920	S.CER C1608 JB 1H 473K-T
C5	4030008920	S.CER C1608 JB 1H 473K-T
C6	4030008920	S.CER C1608 JB 1H 473K-T
C7	4030008920	S.CER C1608 JB 1H 473K-T
C8	4030008920	S.CER C1608 JB 1H 473K-T
C9	4030006880	S.CER C1608 JB 1H 472K-T
C10	4030006880	S.CER C1608 JB 1H 472K-T
C11	4030006880	S.CER C1608 JB 1H 472K-T
C12	4030006880	S.CER C1608 JB 1H 472K-T
C13	4030006880	S.CER C1608 JB 1H 472K-T
C14	4030007130	S.CER C1608 CH 1H 101J-T
C15	4030007010	S.CER C1608 CH 1H 100D-T
C16	4030007130	S.CER C1608 CH 1H 101J-T
C17	4610001340	TRI ECR-LA010 A12
C18	4030007160	S.CER C1608 CH 1H 181J-T
C19	4030006870	S.CER C1608 JB 1H 222K-T
C20	4030011340	S.CER C1608 CH 1H 471J-T
C21	4030011340	S.CER C1608 CH 1H 471J-T
C22	4010007510	CER HM17SJ SL 821J 500V
C23	4010005880	CER HM95SJ SL 271J 500V
C24	4010005880	CER HM95SJ SL 271J 500V
C25	4010007510	CER HM17SJ SL 821J 500V
C26	4030012480	S.CER GRM31M2C2H121JV01L(GRM42-6 CH)
C27	4010007510	CER HM17SJ SL 821J 500V
C28	4010005870	CER HM95SJ SL 221J 500V
C29	4010005850	CER HM95SJ SL 181J 500V
C30	4010005360	CER HM11SJ SL 301J 500V
C31	4010005870	CER HM95SJ SL 221J 500V
C32	4010005930	CER HM11SJ SL 391J 500V
C33	4010005750	CER HM60SJ SL 680J 500V
C34	4010005870	CER HM95SJ SL 221J 500V
C35	4010005870	CER HM95SJ SL 221J 500V
C36	4010005870	CER HM95SJ SL 221J 500V
C37	4010005870	CER HM95SJ SL 221J 500V
C38	4030011510	S.CER GRM31M2C2H560JV01L(GRM42-6 CH)
C39	4010005820	CER HM74SJ SL 121J 500V
C40	4010005880	CER HM95SJ SL 271J 500V
C41	4010005880	CER HM95SJ SL 271J 500V
C43	4010005780	CER HM60SJ SL 101J 500V
C44	4010005370	CER HM11SJ SL 331J 500V
C46	4010005860	CER HM95SJ SL 201J 500V
C47	4010005780	CER HM60SJ SL 101J 500V
C48	4030014460	S.CER GRM31M2C2H820JV01L(GRM42-6 CH)
C49	4010005830	CER HM74SJ SL 151J 500V
C50	4030011180	S.CER GRM31M2C2H220JV01L(GRM42-6 CH)
C51	4030014460	S.CER GRM31M2C2H820JV01L(GRM42-6 CH)

M.=Mounted side (T: Mounted on the Top side, B: Mounted on the Bottom side) S.=Surface mount

[FILTER UNIT]

REF NO.	ORDER NO.	DESCRIPTION	
C52	4030011550	S.CER	GRM31M2C2H680JV01L(GRM42-6 CH)
C53	4010005730	CER	HM60SJ SL 470J 500V
C54	4010005850	CER	HM95SJ SL 181J 500V
C55	4030011240	S.CER	GRM31M2C2H470JV01L(GRM42-6 CH)
C56	4010005770	CER	HM60SJ SL 820J 500V
C58	4030011240	S.CER	GRM31M2C2H470JV01L(GRM42-6 CH)
C60	4010005620	CER	HM60SJ SL 120J 500V
C61	4030014460	S.CER	GRM31M2C2H820JV01L(GRM42-6 CH)
C63	4030006870	S.CER	C1608 JB 1H 222K-T
C64	4010007590	CER	HM15SJ SL 681J 500V
C65	4010007590	CER	HM15SJ SL 681J 500V
C66	4010007590	CER	HM15SJ SL 681J 500V
C67	4010007590	CER	HM15SJ SL 681J 500V
C68	4010005930	CER	HM11SJ SL 391J 500V
C69	4010005930	CER	HM11SJ SL 391J 500V
C70	4030006880	S.CER	C1608 JB 1H 472K-T
C71	4030006880	S.CER	C1608 JB 1H 472K-T
C72	4030006880	S.CER	C1608 JB 1H 472K-T
C73	4030006880	S.CER	C1608 JB 1H 472K-T
C74	4030006880	S.CER	C1608 JB 1H 472K-T
C75	4030006880	S.CER	C1608 JB 1H 472K-T
C76	4030006880	S.CER	C1608 JB 1H 472K-T
C78	4030011730	S.CER	GRM31M2C2H101JV01L(GRM42-6 CH)
C80	4010005930	CER	HM11SJ SL 391J 500V
C81	4010005930	CER	HM11SJ SL 391J 500V
C103	4030011090	S.CER	GRM31M2C2H7R0DV01L(GRM42-6 CH)
C104	4030011550	S.CER	GRM31M2C2H680JV01L(GRM42-6 CH)
C107	4030011170	S.CER	GRM31M2C2H180JV01L(GRM42-6 CH)
C108	4030011240	S.CER	GRM31M2C2H470JV01L(GRM42-6 CH)
C110	4030011090	S.CER	GRM31M2C2H7R0DV01L(GRM42-6 CH)
RL1	6330001471	REL	AJS1311F-K2
RL2	6330001471	REL	AJS1311F-K2
RL3	6330001471	REL	AJS1311F-K2
RL4	6330001471	REL	AJS1311F-K2
RL5	6330001471	REL	AJS1311F-K2
RL6	6330001471	REL	AJS1311F-K2
RL7	6330001471	REL	AJS1311F-K2
RL8	6330001471	REL	AJS1311F-K2
RL9	6330001471	REL	AJS1311F-K2
RL10	6330001471	REL	AJS1311F-K2
RL11	6330001471	REL	AJS1311F-K2
RL12	6330001471	REL	AJS1311F-K2
RL13	6330001330	REL	AG 201344
J1	6510022631	CON	10FMN-BTRK-A(LF)(SN)
J2	6510007020	CON	TMP-J01X-V6
J3	6510007020	CON	TMP-J01X-V6
J4	6910001040	CON	IPS-1136
J5	6910001040	CON	IPS-1136
W2	9001502002	WIR	72/98/030/X98/X98 [OHT]
	49001502002	WIR	72/98/030/X98/X98 [OHT-1]
	49001502002	WIR	72/98/030/X98/X98 [CHN]
	49001502002	WIR	72/98/030/X98/X98 [CHN-01]
W3	6910001031	JUM	IPS-1041-4-PT
W4	6910001031	JUM	IPS-1041-4-PT

[FRONT UNIT]

REF NO.	ORDER NO.	DESCRIPTION	
WS1	8970023640	SX2242 (1)/FR	
SP1	2510000671	SPE	VS-C50-0827
W3	8900014740	CAB	OPC-885A (P1,N10,L39) <TJM>
W4	8900014740	CAB	OPC-885A (P1,N10,L39) <TJM>
W5	8900014730	CAB	OPC-683A (P1,N10,L110) <TJM>
EP2	6450001230	E.O	HLJ0999-01-4802

M.=Mounted side (T: Mounted on the Top side, B: Mounted on the Bottom side)
S.=Surface mount

[LOGIC UNIT]

REF NO.	ORDER NO.		DESCRIPTION
IC1	1140009161	S.IC	HD6433837SD17HV
IC2	1130011332	S.IC	CAT25320VI-GT3
IC3	1110005771	S.IC	S-80942CNMC-G9CT2G
IC5	1180000421	S.IC	TA78L05F(TE12R,F)
IC6	1180001071	S.IC	TA7805F(TE16L,Q)
IC7	1130013870	S.IC	NJU6445FCI-#ZZZB
IC11	1130008511	S.IC	TC7W53FU(TE12L,F)
IC12	1130006891	S.IC	TC7S04FU(TE85R,F)
IC103	1130005721	S.IC	TC7W04F(TE12L,F)
Q1	1590000680	S.TRA	DTC114EUA T106
Q2	1530002060	S.TRA	2SC4081 T106 R
Q3	1590001330	S.TRA	DTA114EUA T106
Q70	1540000441	S.TRA	2SD1619T-TD-E
Q71	1590000680	S.TRA	DTC114EUA T106
Q72	1590000680	S.TRA	DTC114EUA T106
Q102	1590001650	S.TRA	XP4601(TX)
Q103	1590000680	S.TRA	DTC114EUA T106
Q104	1590000680	S.TRA	DTC114EUA T106
Q105	1590000680	S.TRA	DTC114EUA T106
Q106	1590001330	S.TRA	DTA114EUA T106
D1	1160000070	S.DIO	DAN202K T146
D30	1160000070	S.DIO	DAN202K T146
D31	1160000070	S.DIO	DAN202K T146
D32	1750000550	S.DIO	1SS355 TE-17
D33	1160000070	S.DIO	DAN202K T146
D34	1750000550	S.DIO	1SS355 TE-17
D35	1160000070	S.DIO	DAN202K T146
D36	1750000550	S.DIO	1SS355 TE-17
D37	1160000070	S.DIO	DAN202K T146
D38	1750000550	S.DIO	1SS355 TE-17
D39	1160000070	S.DIO	DAN202K T146
D40	1750000550	S.DIO	1SS355 TE-17
D41	1160000070	S.DIO	DAN202K T146
D42	1750000550	S.DIO	1SS355 TE-17
D43	1160000070	S.DIO	DAN202K T146
D44	1750000550	S.DIO	1SS355 TE-17
D45	1160000070	S.DIO	DAN202K T146
D46	1730002531	S.ZEN	NNCD6.2G-T1-A
D47	1750000550	S.DIO	1SS355 TE-17
D48	1750000550	S.DIO	1SS355 TE-17
D49	1750000550	S.DIO	1SS355 TE-17
D49	1750000550	S.DIO	1SS355 TE-17
D49	1750000550	S.DIO	1SS355 TE-17
D49	1750000550	S.DIO	1SS355 TE-17
D51	1750000550	S.DIO	1SS355 TE-17
D51	1750000550	S.DIO	1SS355 TE-17
D51	1750000550	S.DIO	1SS355 TE-17
D52	1750000550	S.DIO	1SS355 TE-17
D53	1750000550	S.DIO	1SS355 TE-17
D54	1750000550	S.DIO	1SS355 TE-17
D55	1750000550	S.DIO	1SS355 TE-17
D102	1750000550	S.DIO	1SS355 TE-17
D120	1750000370	S.DIO	DA221 TL
D121	1750000370	S.DIO	DA221 TL
D122	1750000370	S.DIO	DA221 TL
D123	1750000370	S.DIO	DA221 TL
D124	1750000370	S.DIO	DA221 TL
X1	6050009870	S.XTA	CR-567 SMD-49 9.8304 MHz <KDS>
L1	6200001831	S.COI	NLV32T-100J
L2	6200001831	S.COI	NLV32T-100J
L40	6200003261	S.COI	NLV32T-101J
L41	6200002041	S.COI	NLV25T-101J
L42	6200002041	S.COI	NLV25T-101J
L43	6200003950	S.COI	HF50ACC 322513-T
L44	6200009300	S.COI	ELJPA 100KF 10U
L47	6200003950	S.COI	HF50ACC 322513-T
L48	6200003950	S.COI	HF50ACC 322513-T
L49	6200003950	S.COI	HF50ACC 322513-T
L100	6200003261	S.COI	NLV32T-101J
L101	6200003950	S.COI	HF50ACC 322513-T
L102	6200003950	S.COI	HF50ACC 322513-T
L103	6200003950	S.COI	HF50ACC 322513-T
L104	6200003950	S.COI	HF50ACC 322513-T
R1	7030003800	S.RES	ERJ3GEYJ 105 V (1M)
R2	7030003600	S.RES	ERJ3GEYJ 223 V (22K)
R3	7030003560	S.RES	ERJ3GEYJ 103 V (10K)
R4	7030003560	S.RES	ERJ3GEYJ 103 V (10K)
R5	7030003560	S.RES	ERJ3GEYJ 103 V (10K)
R7	7030003600	S.RES	ERJ3GEYJ 223 V (22K)
R8	7030003560	S.RES	ERJ3GEYJ 103 V (10K)
R9	7030003560	S.RES	ERJ3GEYJ 103 V (10K)
R10	7030003680	S.RES	ERJ3GEYJ 104 V (100K)
R11	7030003680	S.RES	ERJ3GEYJ 104 V (100K)
R12	7030003680	S.RES	ERJ3GEYJ 104 V (100K)
R13	7030003680	S.RES	ERJ3GEYJ 104 V (100K)
R14	7030003680	S.RES	ERJ3GEYJ 104 V (100K)
R15	7030003680	S.RES	ERJ3GEYJ 104 V (100K)
R16	7030003680	S.RES	ERJ3GEYJ 104 V (100K)
R17	7030003680	S.RES	ERJ3GEYJ 104 V (100K)
R18	7030006220	S.RES	ERJ12VJ470U (47)
R19	7030007190	S.RES	ERJ12VJ220U (22)
R20	7030003640	S.RES	ERJ3GEYJ 473 V (47K)
R21	7030003630	S.RES	ERJ3GEYJ 393 V (39K)
R22	7030003440	S.RES	ERJ3GEYJ 102 V (1K)
R24	7030003640	S.RES	ERJ3GEYJ 473 V (47K)

[OHT-2]
[OHT-3]
[OHT]
[OHT-2]
[CHN]
[OHT-2]
[OHT-3]

[LOGIC UNIT]

REF NO.	ORDER NO.		DESCRIPTION
R25	7030003640	S.RES	ERJ3GEYJ 473 V (47K)
R26	7030003640	S.RES	ERJ3GEYJ 473 V (47K)
R27	7030003640	S.RES	ERJ3GEYJ 473 V (47K)
R30	7030003640	S.RES	ERJ3GEYJ 473 V (47K)
R31	7030003640	S.RES	ERJ3GEYJ 473 V (47K)
R32	7030003640	S.RES	ERJ3GEYJ 473 V (47K)
R33	7030003640	S.RES	ERJ3GEYJ 473 V (47K)
R34	7030003640	S.RES	ERJ3GEYJ 473 V (47K)
R35	7030003640	S.RES	ERJ3GEYJ 473 V (47K)
R36	7030003640	S.RES	ERJ3GEYJ 473 V (47K)
R37	7030003640	S.RES	ERJ3GEYJ 473 V (47K)
R38	7030003640	S.RES	ERJ3GEYJ 473 V (47K)
R39	7030003640	S.RES	ERJ3GEYJ 473 V (47K)
R40	7030003640	S.RES	ERJ3GEYJ 473 V (47K)
R41	7030003640	S.RES	ERJ3GEYJ 473 V (47K)
R42	7030003640	S.RES	ERJ3GEYJ 473 V (47K)
R43	7030003640	S.RES	ERJ3GEYJ 473 V (47K)
R44	7030003200	S.RES	ERJ3GEYJ 100 V (10)
R49	7030003680	S.RES	ERJ3GEYJ 104 V (100K)
R54	7030003680	S.RES	ERJ3GEYJ 104 V (100K)
R55	7030003640	S.RES	ERJ3GEYJ 473 V (47K)
R56	7030003640	S.RES	ERJ3GEYJ 473 V (47K)
R59	7030003560	S.RES	ERJ3GEYJ 103 V (10K)
R62	7030003480	S.RES	ERJ3GEYJ 222 V (2.2K)
R63	7030003480	S.RES	ERJ3GEYJ 222 V (2.2K)
R70	7030003380	S.RES	ERJ3GEYJ 331 V (330)
R71	7030003410	S.RES	ERJ3GEYJ 561 V (560)
R72	7030003430	S.RES	ERJ3GEYJ 821 V (820)
R73	7030003540	S.RES	ERJ3GEYJ 682 V (6.8K)
R74	7030003440	S.RES	ERJ3GEYJ 102 V (1K)
R75	7030010420	S.RES	ERJ1TYJ 560U (56)
R100	7030003680	S.RES	ERJ3GEYJ 104 V (100K)
R101	7030003680	S.RES	ERJ3GEYJ 104 V (100K)
R102	7030003680	S.RES	ERJ3GEYJ 104 V (100K)
R103	7030003590	S.RES	ERJ3GEYJ 183 V (18K)
R104	7030003540	S.RES	ERJ3GEYJ 682 V (6.8K)
R105	7030003620	S.RES	ERJ3GEYJ 333 V (33K)
R106	7030003640	S.RES	ERJ3GEYJ 473 V (47K)
R107	7030003600	S.RES	ERJ3GEYJ 223 V (22K)
R108	7030003380	S.RES	ERJ3GEYJ 331 V (330)
R111	7030003640	S.RES	ERJ3GEYJ 473 V (47K)
R112	7030003640	S.RES	ERJ3GEYJ 473 V (47K)
R113	7030003600	S.RES	ERJ3GEYJ 223 V (22K)
R114	7030003600	S.RES	ERJ3GEYJ 223 V (22K)
R115	7030003640	S.RES	ERJ3GEYJ 473 V (47K)
R116	7030003560	S.RES	ERJ3GEYJ 103 V (10K)
R117	7030003560	S.RES	ERJ3GEYJ 103 V (10K)
R118	7030003640	S.RES	ERJ3GEYJ 473 V (47K)
R119	7030003640	S.RES	ERJ3GEYJ 473 V (47K)
R126	7030003360	S.RES	ERJ3GEYJ 221 V (220)
R127	7030003360	S.RES	ERJ3GEYJ 221 V (220)
R128	7030003360	S.RES	ERJ3GEYJ 221 V (220)
R129	7030003360	S.RES	ERJ3GEYJ 221 V (220)
R130	7030003360	S.RES	ERJ3GEYJ 221 V (220)
R131	7030003440	S.RES	ERJ3GEYJ 102 V (1K)
R132	7030003440	S.RES	ERJ3GEYJ 102 V (1K)
R133	7030003360	S.RES	ERJ3GEYJ 221 V (220)
R134	7030003360	S.RES	ERJ3GEYJ 221 V (220)
R135	7030003640	S.RES	ERJ3GEYJ 473 V (47K)
R136	7030003640	S.RES	ERJ3GEYJ 473 V (47K)
R137	7030003640	S.RES	ERJ3GEYJ 473 V (47K)
R138	7030003640	S.RES	ERJ3GEYJ 473 V (47K)
R139	7030003640	S.RES	ERJ3GEYJ 473 V (47K)
R141	7030003640	S.RES	ERJ3GEYJ 473 V (47K)
R142	7030003640	S.RES	ERJ3GEYJ 473 V (47K)
R143	7030003640	S.RES	ERJ3GEYJ 473 V (47K)
R144	7030003640	S.RES	ERJ3GEYJ 473 V (47K)
R145	7030003640	S.RES	ERJ3GEYJ 473 V (47K)
R146	7030003640	S.RES	ERJ3GEYJ 473 V (47K)
R147	7030003640	S.RES	ERJ3GEYJ 473 V (47K)
R148	7030003640	S.RES	ERJ3GEYJ 473 V (47K)
R149	7030003640	S.RES	ERJ3GEYJ 473 V (47K)
R150	7030003360	S.RES	ERJ3GEYJ 221 V (220)
R151	7030003360	S.RES	ERJ3GEYJ 221 V (220)
R153	7030003360	S.RES	ERJ3GEYJ 221 V (220)
R154	7030003360	S.RES	ERJ3GEYJ 221 V (220)
R156	7030003360	S.RES	ERJ3GEYJ 221 V (220)
R158	7030003360	S.RES	ERJ3GEYJ 221 V (220)
R160	7030003360	S.RES	ERJ3GEYJ 221 V (220)
R161	7030003360	S.RES	ERJ3GEYJ 221 V (220)
R162	7030003360	S.RES	ERJ3GEYJ 221 V (220)
R163	7030003360	S.RES	ERJ3GEYJ 221 V (220)
R164	7030003360	S.RES	ERJ3GEYJ 221 V (220)
R165	7030003560	S.RES	ERJ3GEYJ 103 V (10K)
R166	7030003360	S.RES	ERJ3GEYJ 221 V (220)
R169	7030003360	S.RES	ERJ3GEYJ 221 V (220)
R171	7030003360	S.RES	ERJ3GEYJ 221 V (220)
R172	7030003360	S.RES	ERJ3GEYJ 221 V (220)
R173	7030003360	S.RES	ERJ3GEYJ 221 V (220)
R174	7030003360	S.RES	ERJ3GEYJ 221 V (220)
R175	7030003360	S.RES	ERJ3GEYJ 221 V (220)
R176	7030003360	S.RES	ERJ3GEYJ 221 V (220)
R177	7030003360	S.RES	ERJ3GEYJ 221 V (220)
R179	7030003640	S.RES	ERJ3GEYJ 473 V (47K)
R180	7030003640	S.RES	ERJ3GEYJ 473 V (47K)
R182	7030003640	S.RES	ERJ3GEYJ 473 V (47K)
R185	7030003640	S.RES	ERJ3GEYJ 473 V (47K)
R186	7030003360	S.RES	ERJ3GEYJ 221 V (220)
R188	7030003520	S.RES	ERJ3GEYJ 472 V (4.7K)
R190	7030003440	S.RES	ERJ3GEYJ 102 V (1K)
R191	7030003440	S.RES	ERJ3GEYJ 102 V (1K)
R193	7030003360	S.RES	ERJ3GEYJ 221 V (220)
R195	7030003640	S.RES	ERJ3GEYJ 473 V (47K)
R196	7030003640	S.RES	ERJ3GEYJ 473 V (47K)

M.=Mounted side (T: Mounted on the Top side, B: Mounted on the Bottom side)
S.=Surface mount

[LOGIC UNIT]

REF NO.	ORDER NO.	DESCRIPTION
R197	7030003480	S.RES ERJ3GEYJ 222 V (2.2K)
R198	7030003480	S.RES ERJ3GEYJ 222 V (2.2K)
R199	7030003430	S.RES ERJ3GEYJ 821 V (820)
R201	7030003440	S.RES ERJ3GEYJ 102 V (1K)
R211	7030003640	S.RES ERJ3GEYJ 473 V (47K)
R212	7030003360	S.RES ERJ3GEYJ 221 V (220)
W1	7030003860	S.RES ERJ3GE JPW V
W41	7030003860	S.RES ERJ3GE JPW V
W42	7030003860	S.RES ERJ3GE JPW V
W70	7030003860	S.RES ERJ3GE JPW V
W101	7030003860	S.RES ERJ3GE JPW V
W102	7030003860	S.RES ERJ3GE JPW V
C1	4030007030	S.CER C1608 CH 1H 150J-T
C2	4030007030	S.CER C1608 CH 1H 150J-T
C3	4030006900	S.CER C1608 JB 1H 103K-T
C4	4030011600	S.CER C1608 JB 1E 104K-T
C5	4510008540	S.ELE EEE1CA100SR
C6	4030011600	S.CER C1608 JB 1E 104K-T
C7	4510008550	S.ELE EEE1HA010SR
C8	4030011600	S.CER C1608 JB 1E 104K-T
C9	4030006900	S.CER C1608 JB 1H 103K-T
C11	4030011600	S.CER C1608 JB 1E 104K-T
C12	4510008540	S.ELE EEE1CA100SR
C13	4510008540	S.ELE EEE1CA100SR
C14	4030011600	S.CER C1608 JB 1E 104K-T
C15	4030011600	S.CER C1608 JB 1E 104K-T
C16	4510008540	S.ELE EEE1CA100SR
C17	4510008540	S.ELE EEE1CA100SR
C18	4030011600	S.CER C1608 JB 1E 104K-T
C19	4510008540	S.ELE EEE1CA100SR
C20	4030011600	S.CER C1608 JB 1E 104K-T
C21	4030011600	S.CER C1608 JB 1E 104K-T
C22	4030011600	S.CER C1608 JB 1E 104K-T
C42	4030006880	S.CER C1608 JB 1H 472K-T
C43	4030006880	S.CER C1608 JB 1H 472K-T
C44	4030006880	S.CER C1608 JB 1H 472K-T
C45	4030006880	S.CER C1608 JB 1H 472K-T
C46	4030006880	S.CER C1608 JB 1H 472K-T
C47	4030006880	S.CER C1608 JB 1H 472K-T
C101	4030011600	S.CER C1608 JB 1E 104K-T
C102	4030006860	S.CER C1608 JB 1H 102K-T
C103	4030009110	S.CER C3216 JB 1C 474K-T
C111	4030011600	S.CER C1608 JB 1E 104K-T
C112	4030011600	S.CER C1608 JB 1E 104K-T
C113	4030011600	S.CER C1608 JB 1E 104K-T
C114	4030011600	S.CER C1608 JB 1E 104K-T
J1	6510020421	S.CON S4B-PH-SM4-TB(LF)(SN)
J3	6510022621	S.CON 10FMN-BMTTR-A-TBT(LF)(SN)
J4	6510022621	S.CON 10FMN-BMTTR-A-TBT(LF)(SN)
J5	6510022621	S.CON 10FMN-BMTTR-A-TBT(LF)(SN)
J6	6510021722	S.CON 30FLT-SM2-TB(LF)(SN)(M)
J7	6510021722	S.CON 30FLT-SM2-TB(LF)(SN)(M)
J9	6510022611	S.CON 16FMN-BMTTR-A-TBT(LF)(SN)
DS1	5030002490	LCD A0087A LCD83.5*45.5*1.1T LCD
DS70	5040002940	S.LED TLYU1002A(T02)
DS71	5040002940	S.LED TLYU1002A(T02)
DS72	5040002940	S.LED TLYU1002A(T02)
DS73	5040002940	S.LED TLYU1002A(T02)
DS74	5040002940	S.LED TLYU1002A(T02)
DS75	5040002940	S.LED TLYU1002A(T02)
DS76	5040002940	S.LED TLYU1002A(T02)
DS77	5040002940	S.LED TLYU1002A(T02)
DS78	5040002940	S.LED TLYU1002A(T02)
DS79	5040002940	S.LED TLYU1002A(T02)
DS80	5040002940	S.LED TLYU1002A(T02)
DS81	5040002940	S.LED TLYU1002A(T02)
DS82	5040002940	S.LED TLYU1002A(T02)
DS83	5040002940	S.LED TLYU1002A(T02)
DS84	5040002940	S.LED TLYU1002A(T02)
DS85	5040002940	S.LED TLYU1002A(T02)
DS86	5040002940	S.LED TLYU1002A(T02)
DS87	5040002940	S.LED TLYU1002A(T02)
DS88	5040002940	S.LED TLYU1002A(T02)
DS89	5040002940	S.LED TLYU1002A(T02)
DS90	5040002940	S.LED TLYU1002A(T02)
EP2	6910012350	S.BEA MMZ1608Y 102BT
EP40	6910012350	S.BEA MMZ1608Y 102BT
EP45	6910012350	S.BEA MMZ1608Y 102BT
EP46	6910012350	S.BEA MMZ1608Y 102BT
EP70	8930051450	LCD SRCN-2241-SP-N-W (SHJ)
EP152	6910012350	S.BEA MMZ1608Y 102BT
EP155	6910012350	S.BEA MMZ1608Y 102BT
EP157	6910012350	S.BEA MMZ1608Y 102BT
EP159	6910012350	S.BEA MMZ1608Y 102BT

[VR UNIT]

REF NO.	ORDER NO.	DESCRIPTION
R1	7210003040	VAR TP96D26-22F-10KBX2-2240
R2	7210003030	VAR TP96D00-22F-10KBX2-2240
R4	7030003540	S.RES ERJ3GEYJ 682 V (6.8K)
J1	6510022051	S.CON 10FM-1.0SP-1.9-TF(LF)(SN)

M.=Mounted side (T: Mounted on the Top side, B: Mounted on the Bottom side)
S.=Surface mount

[MIC UNIT]

REF NO.	ORDER NO.	DESCRIPTION
J1	6510000191	CON FM214-8SS(P)-1
J2	6510022621	S.CON 10FMN-BMTTR-A-TBT(LF)(SN)

[PHONE UNIT]

REF NO.	ORDER NO.	DESCRIPTION
L1	6200003950	S.COI HF50ACC 322513-T
R1	7030006070	S.RES ERJ12YJ101U (100)
R2	7030006070	S.RES ERJ12YJ101U (100)
R3	7030003440	S.RES ERJ3GEYJ 102 V (1K)
C1	4030006880	S.CER C1608 JB 1H 472K-T
C2	4030006880	S.CER C1608 JB 1H 472K-T
C3	4030006880	S.CER C1608 JB 1H 472K-T
J1	6450001250	CON HLJ4306-01-3070
J2	6510022621	S.CON 10FMN-BMTTR-A-TBT(LF)(SN)

M.=Mounted side (T: Mounted on the Top side, B: Mounted on the Bottom side)
S.=Surface mount

[SENSOR UNIT]

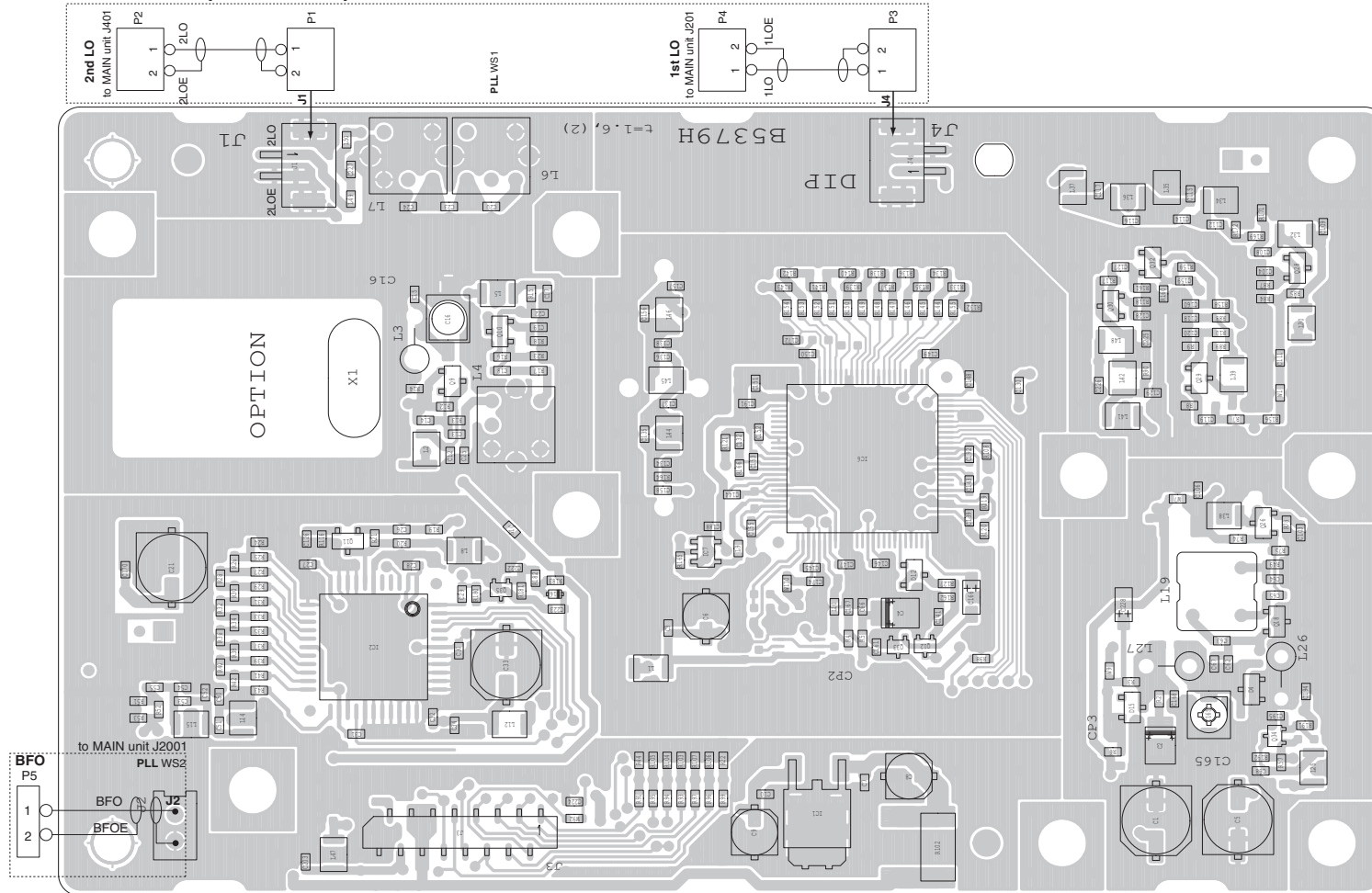
REF NO.	ORDER NO.	DESCRIPTION
WS1	8600036680	SX2241 J01*P01SE
S1	2260002430	SWI SW-165 (SRBM1L)

M.=Mounted side (T: Mounted on the Top side, B: Mounted on the Bottom side)
S.=Surface mount

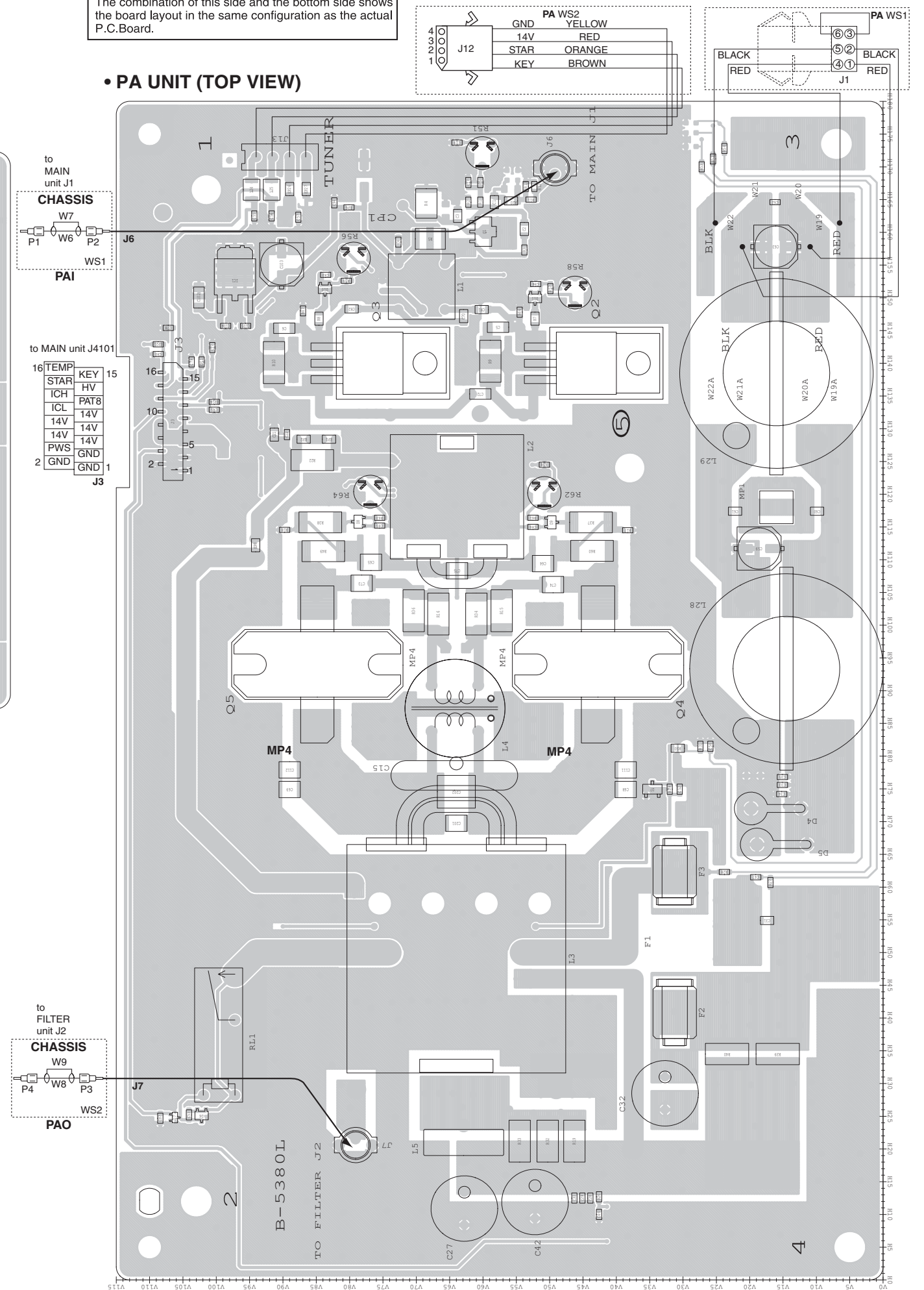
BOARD LAYOUTS

The combination of this side and the bottom side shows the board layout in the same configuration as the actual P.C.Board.

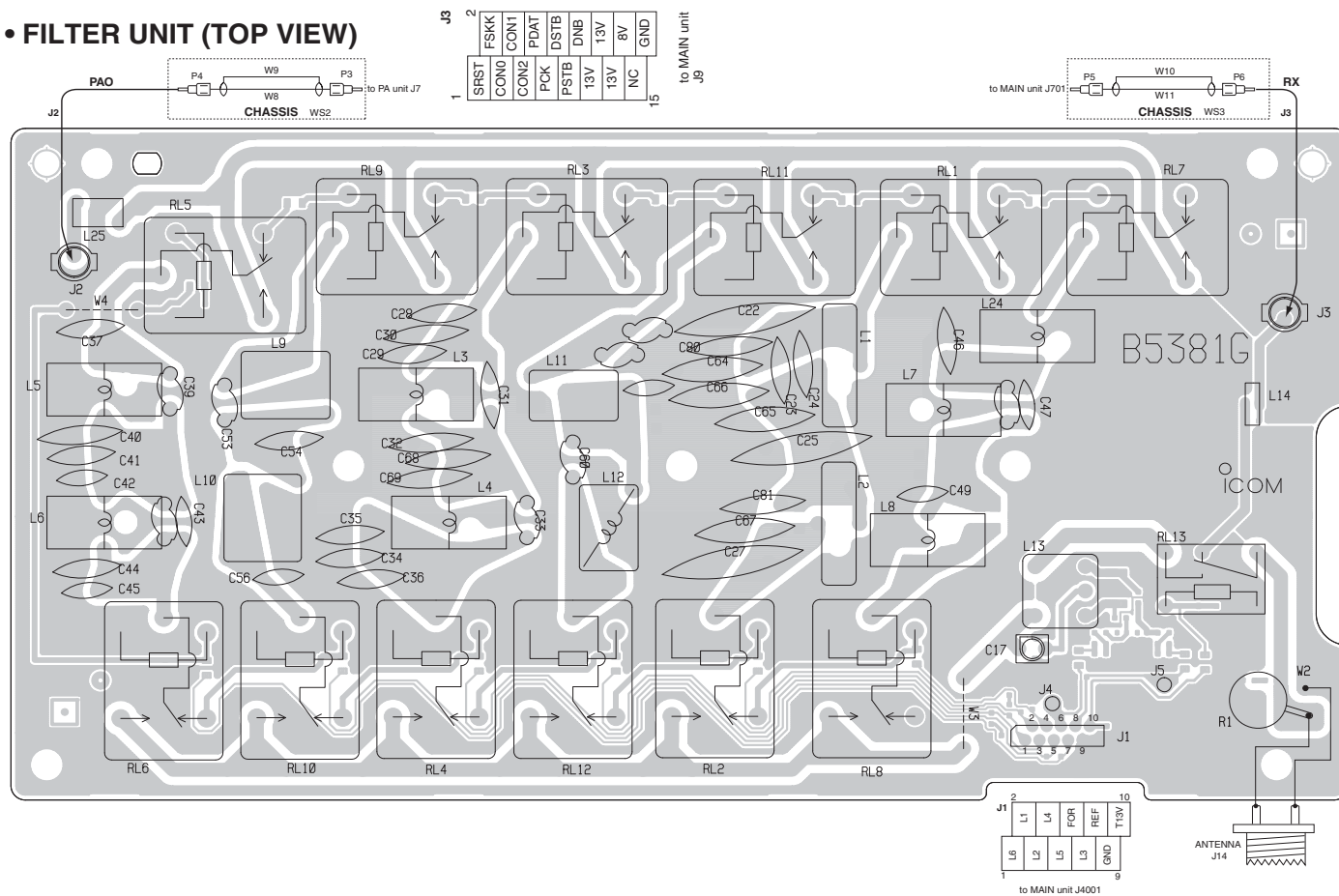
• PLL UNIT (TOP VIEW)



• PA UNIT (TOP VIEW)

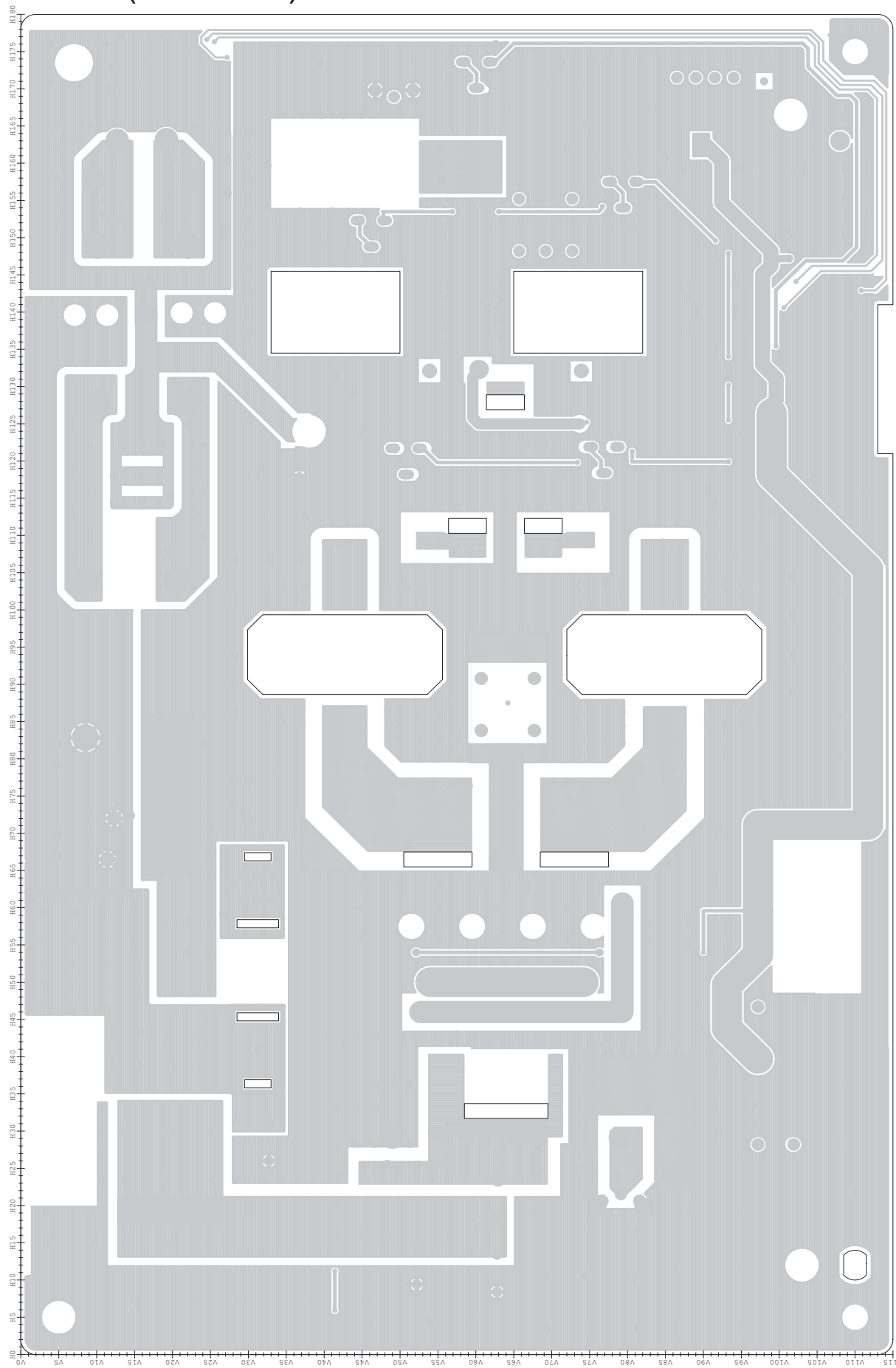


• FILTER UNIT (TOP VIEW)

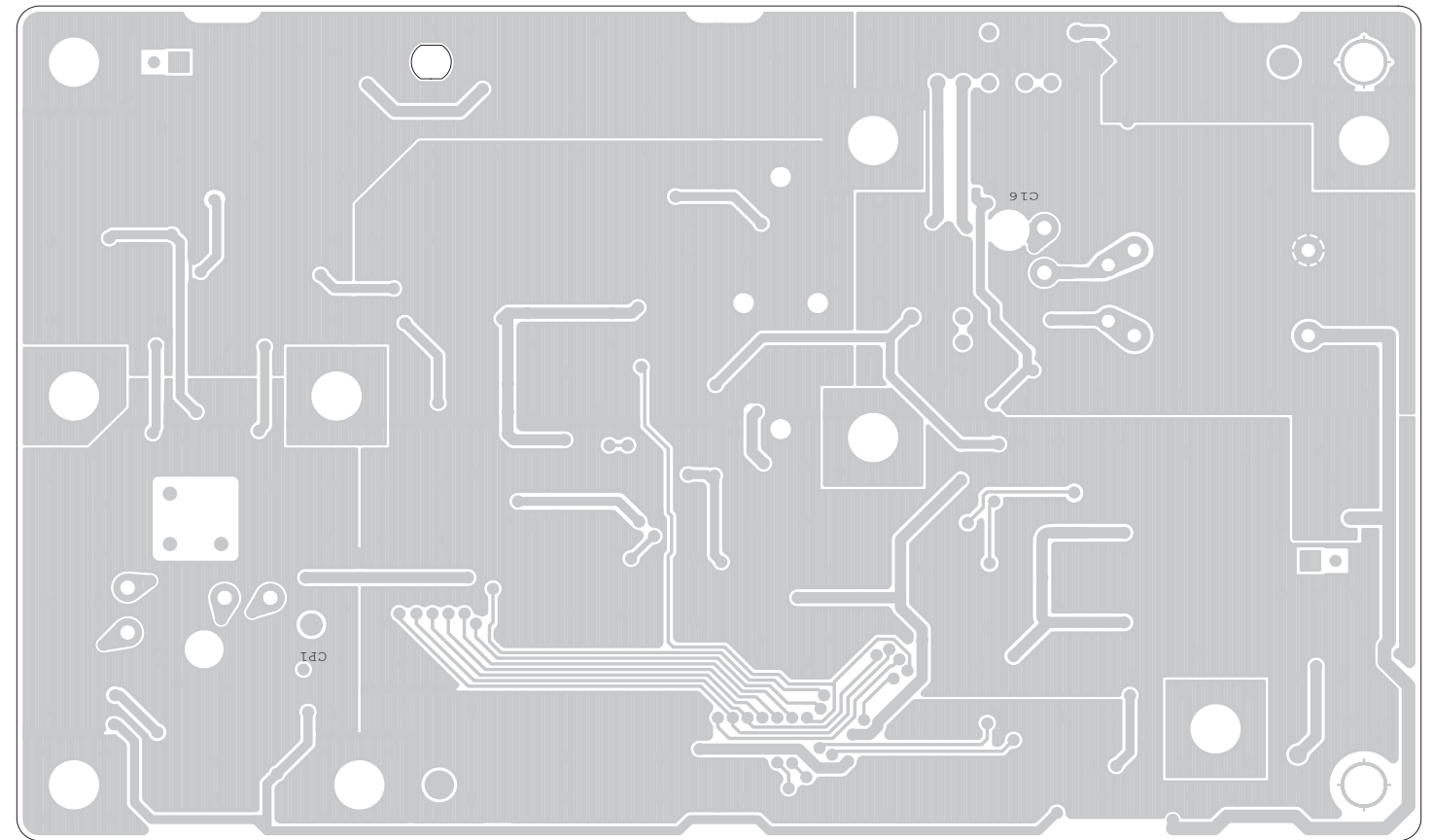


The combination of this side and the bottom side shows the board layout in the same configuration as the actual P.C.Board.

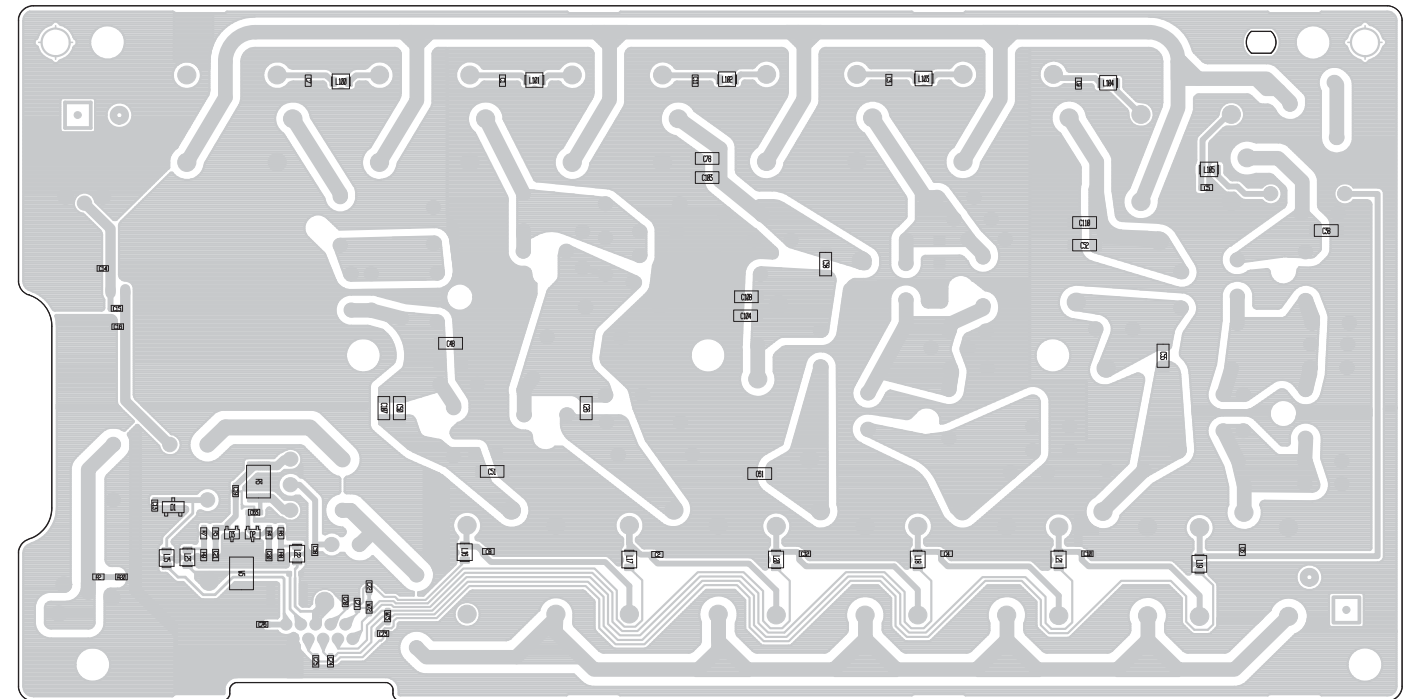
• PA UNIT (BOTTOM VIEW)



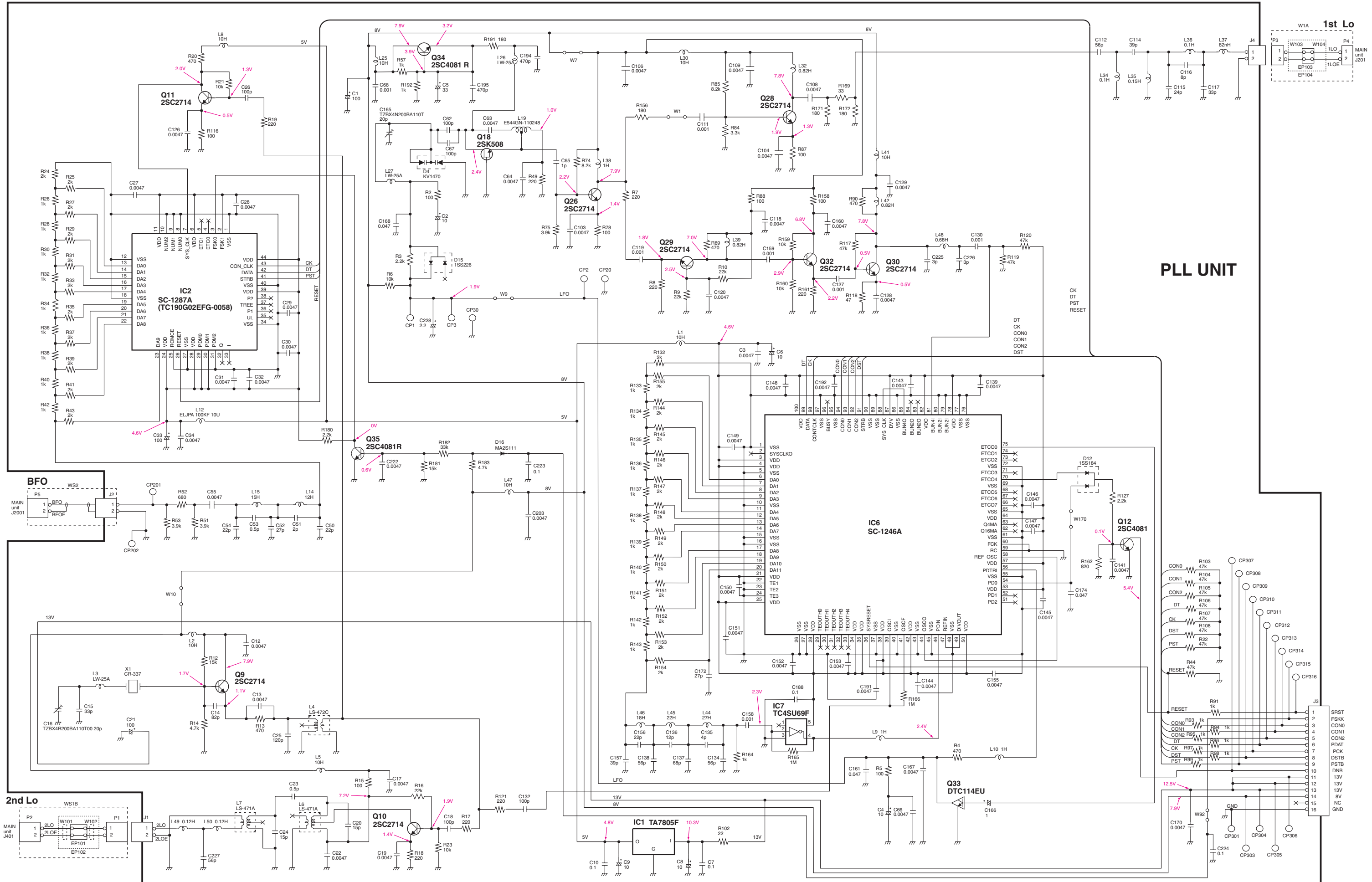
• PLL UNIT (BOTTOM VIEW)

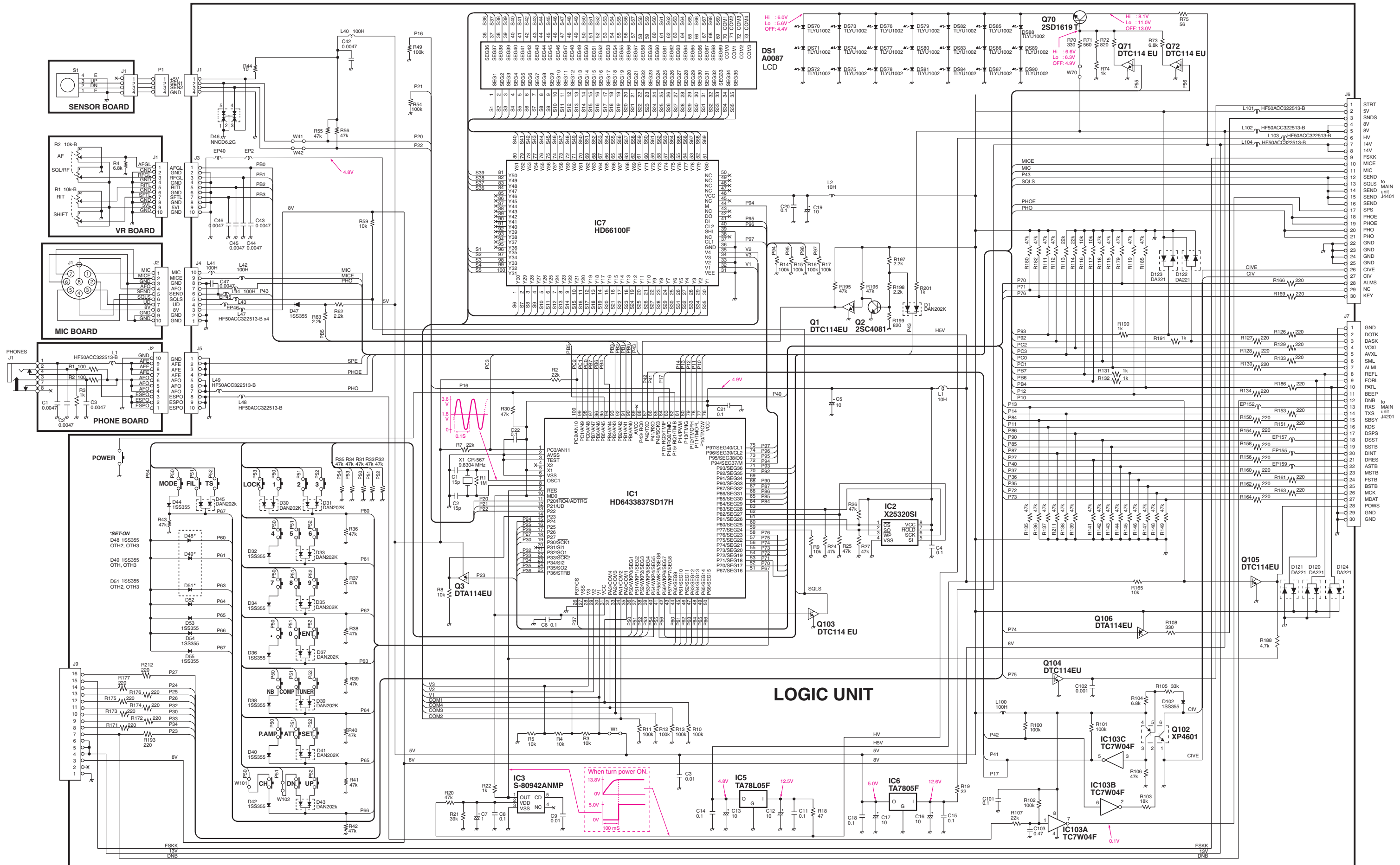


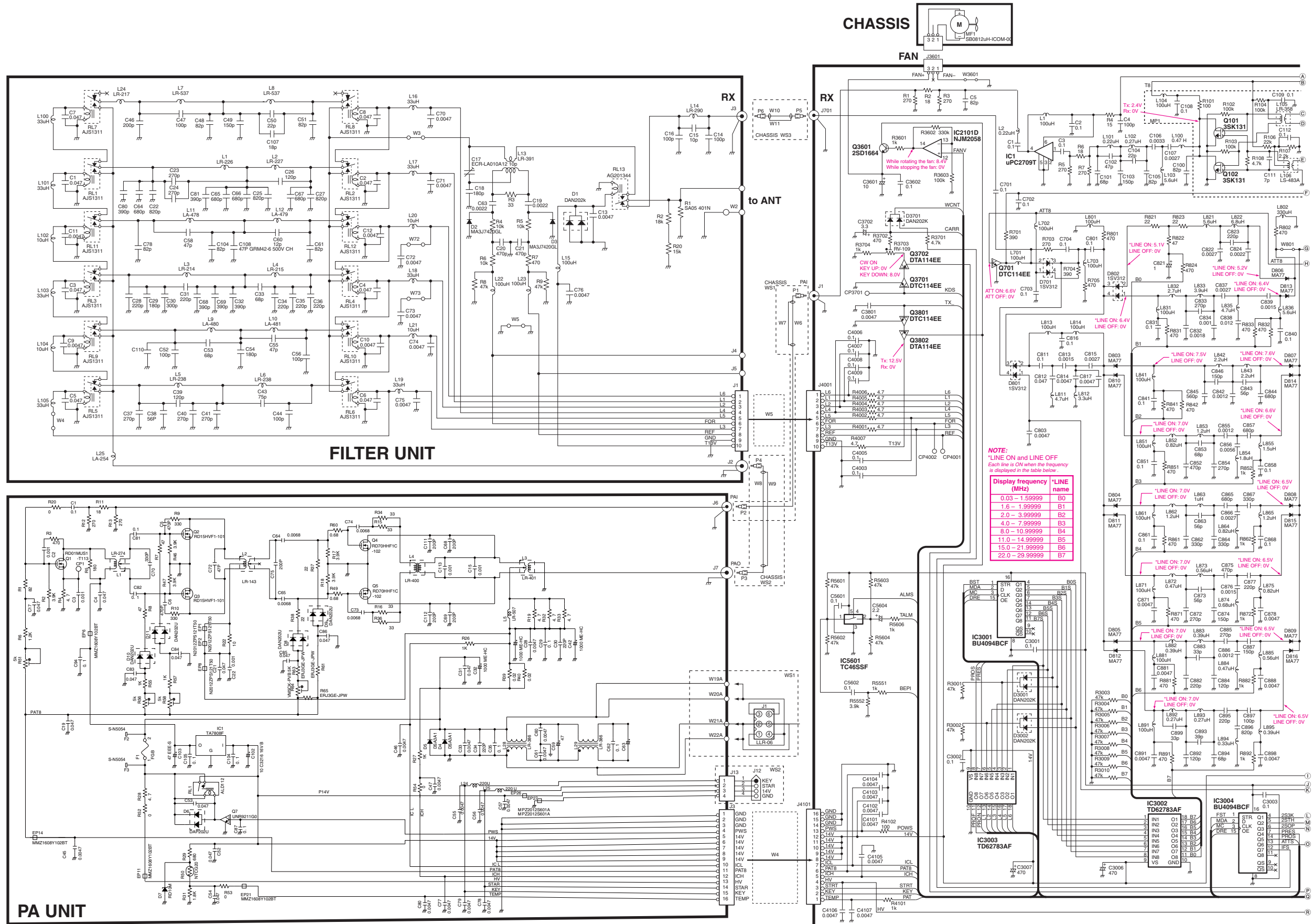
• FILTER UNIT (BOTTOM VIEW)

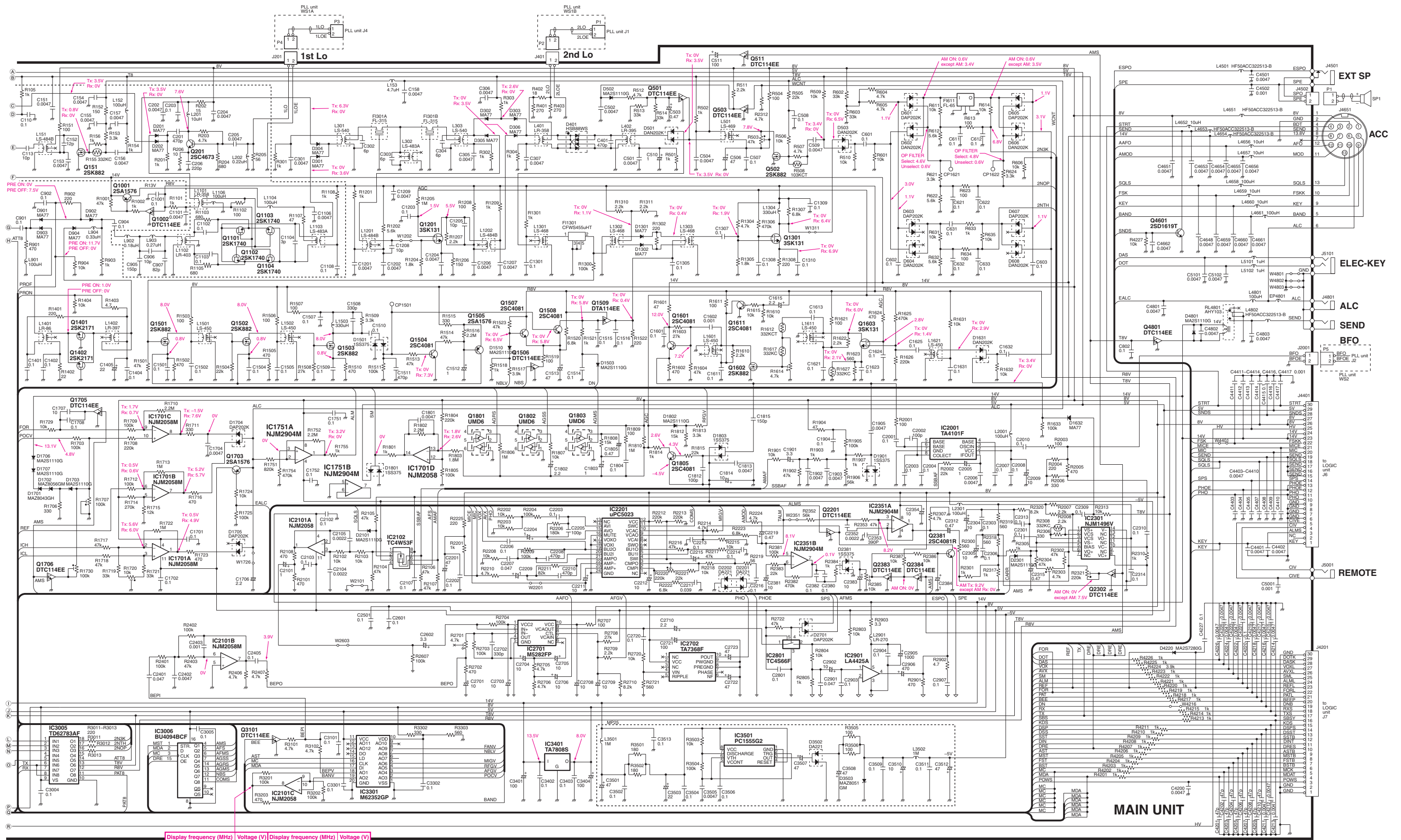


VOLTAGE DIAGRAM









Display frequency (MHz)	Voltage (V)	Display frequency (MHz)	Voltage (V)
0.03 - 1.99999	7.4	11.0 - 14.99999	4.0
2.0 - 3.99999	6.0	15.0 - 21.99999	3.1
4.0 - 7.99999	5.0	22.0 - 29.99999	2.2
8.0 - 10.99999	0		

MAIN UNIT

Oct. 2008



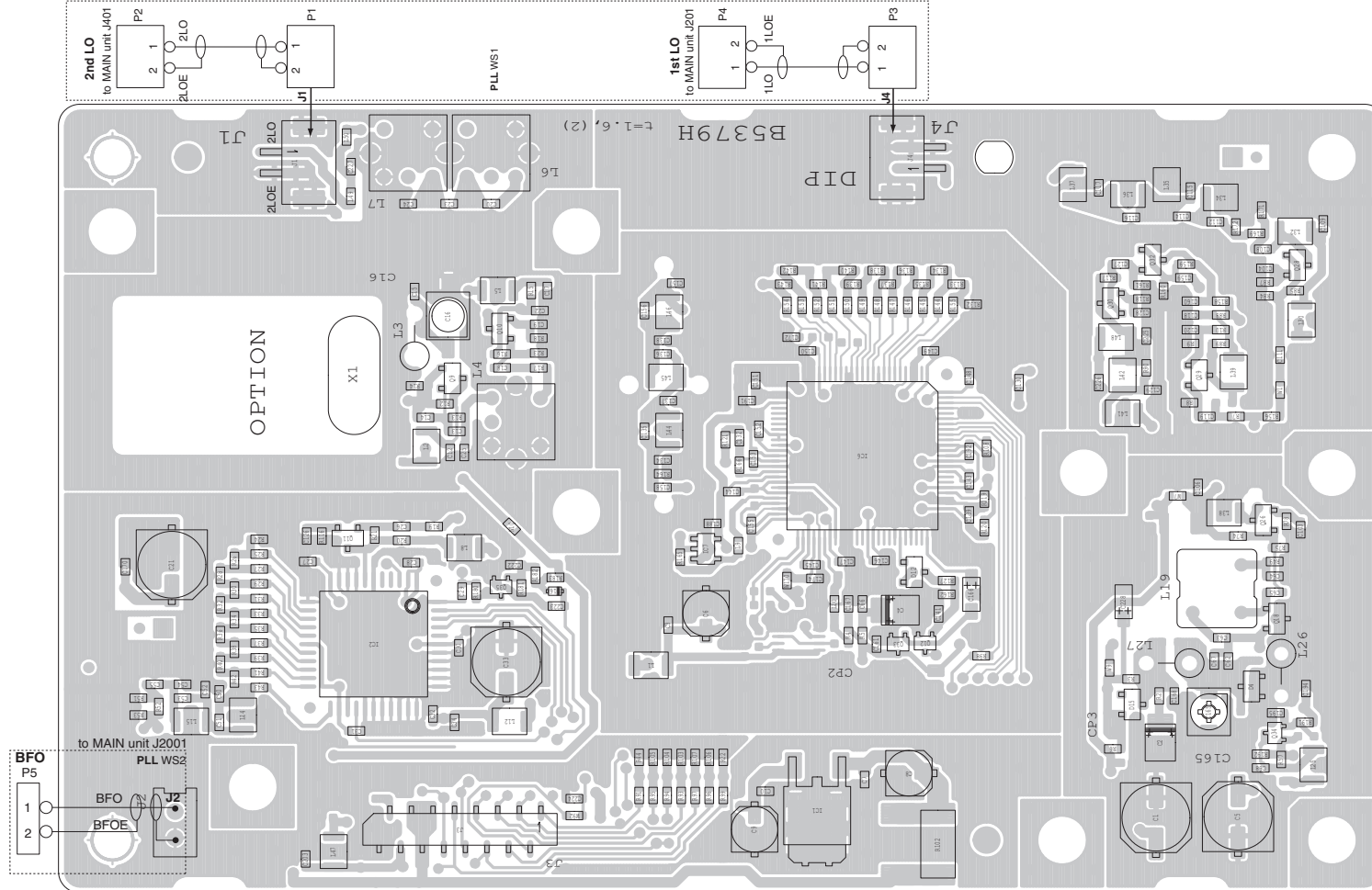
SERVICE MANUAL ADDENDUM

IC-78

CONTENTS

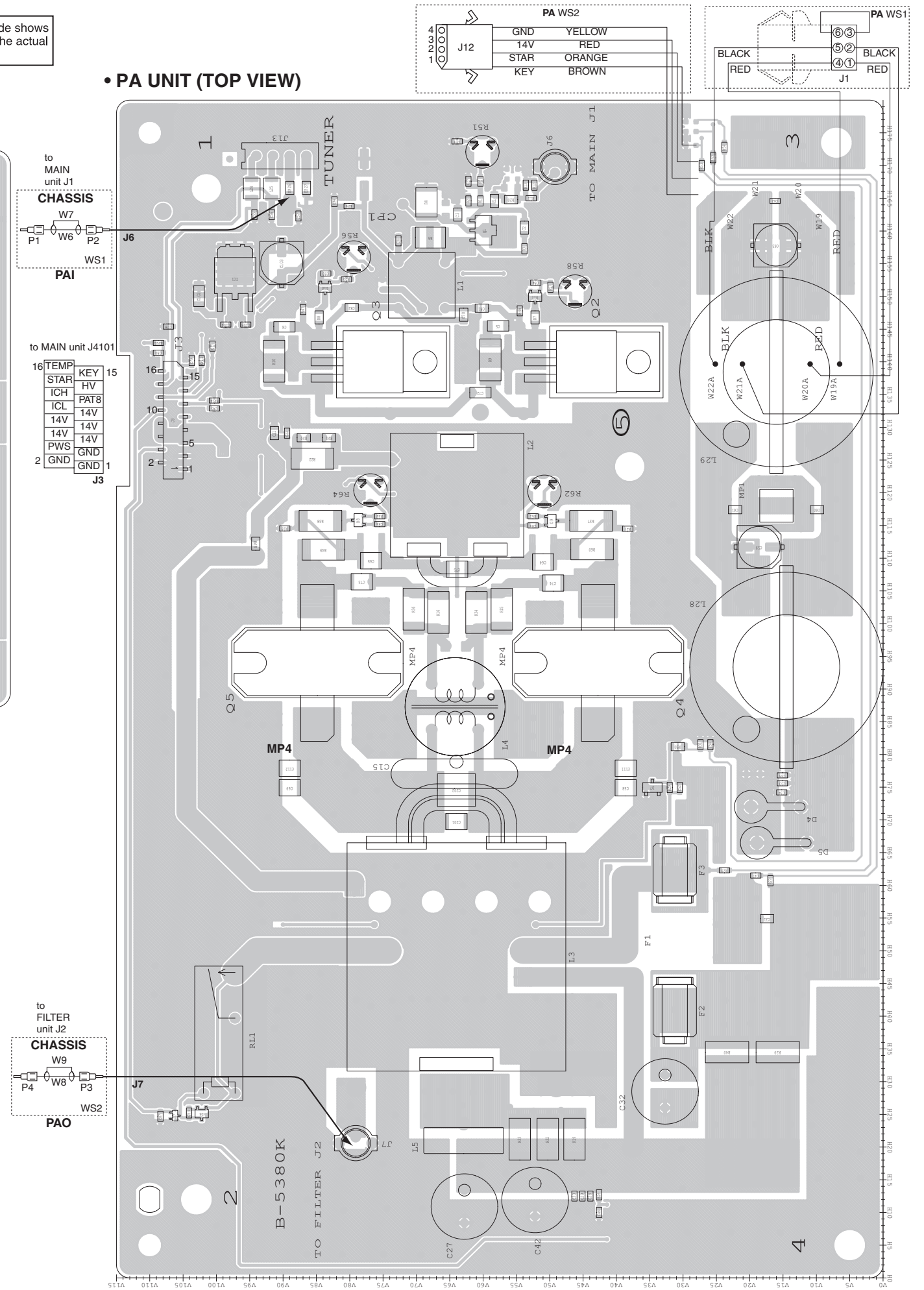
BOARD LAYOUTS.....	1
--------------------	---

• PLL UNIT (TOP VIEW)

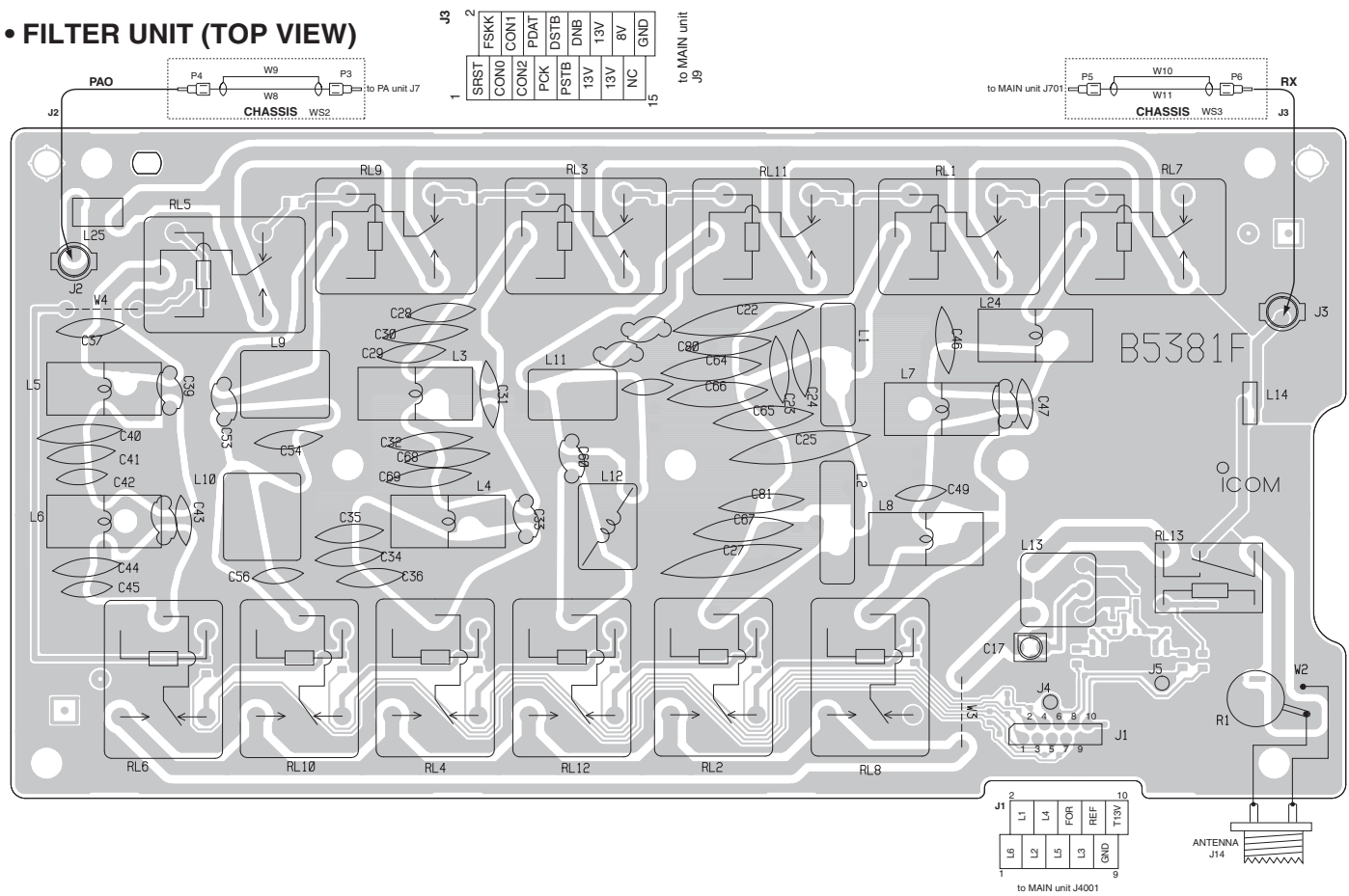


The combination of this side and the bottom side shows the board layout in the same configuration as the actual P.C.Board.

• PA UNIT (TOP VIEW)

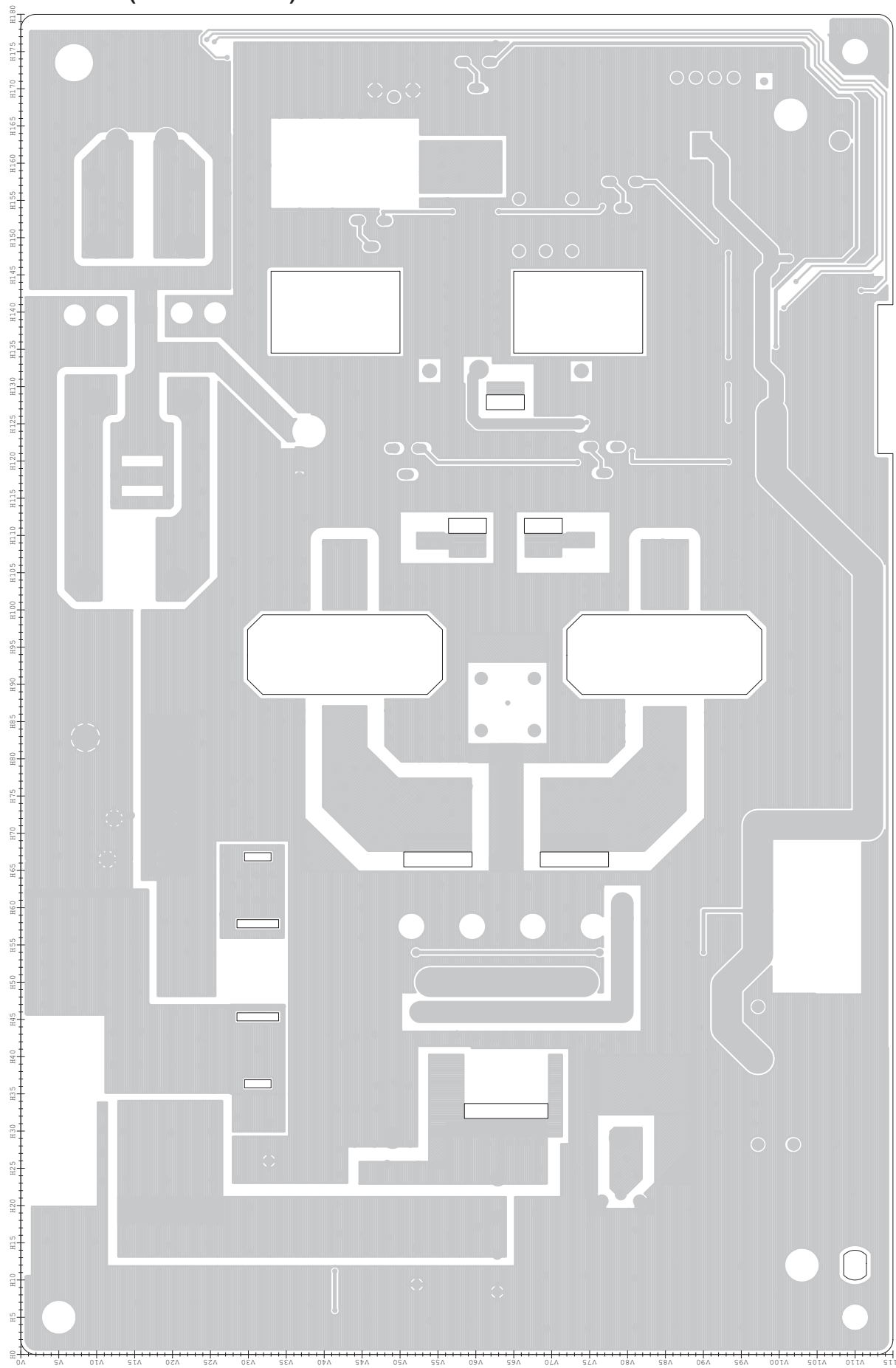


• FILTER UNIT (TOP VIEW)

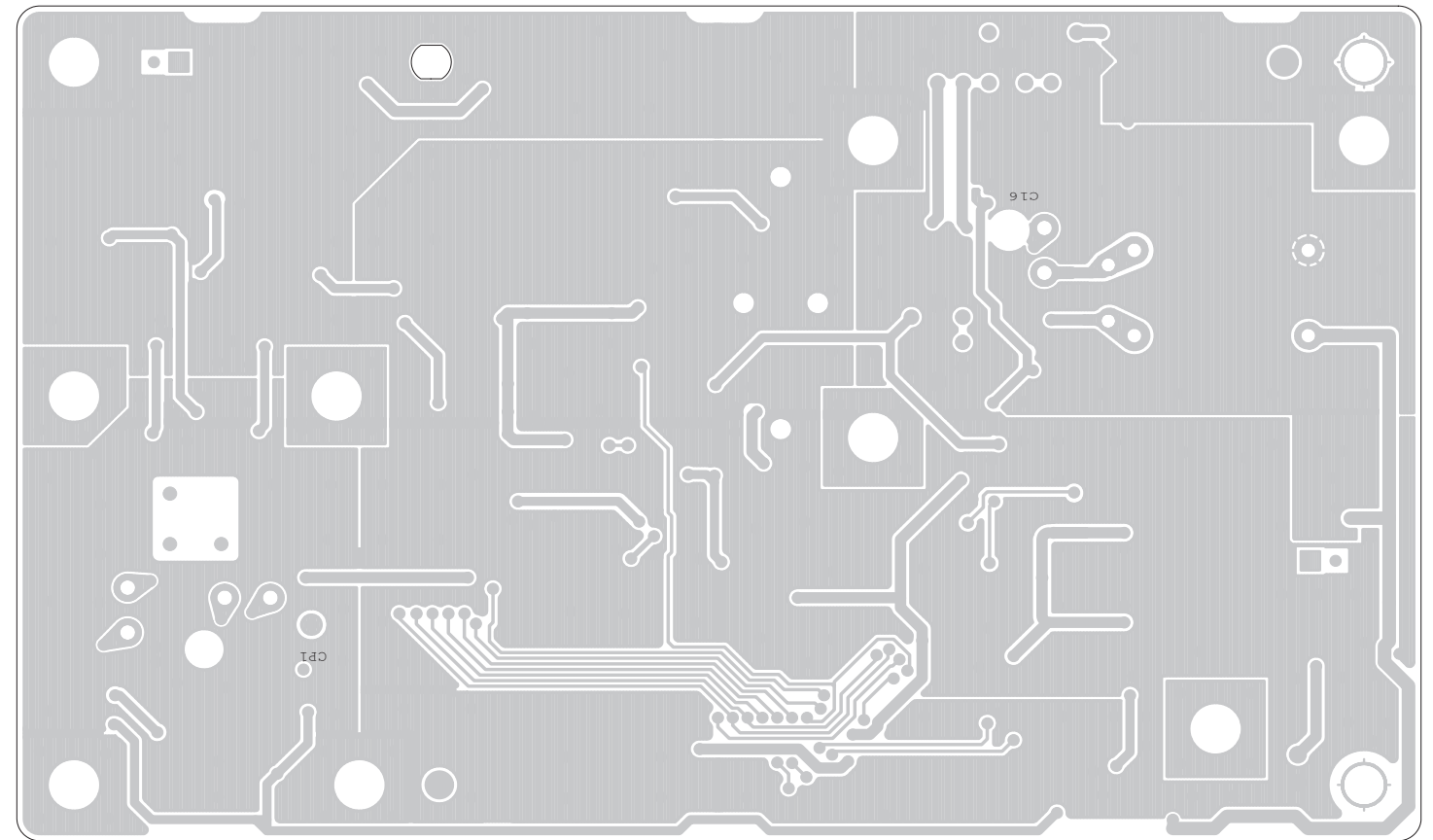


The combination of this side and the bottom side shows the board layout in the same configuration as the actual P.C.Board.

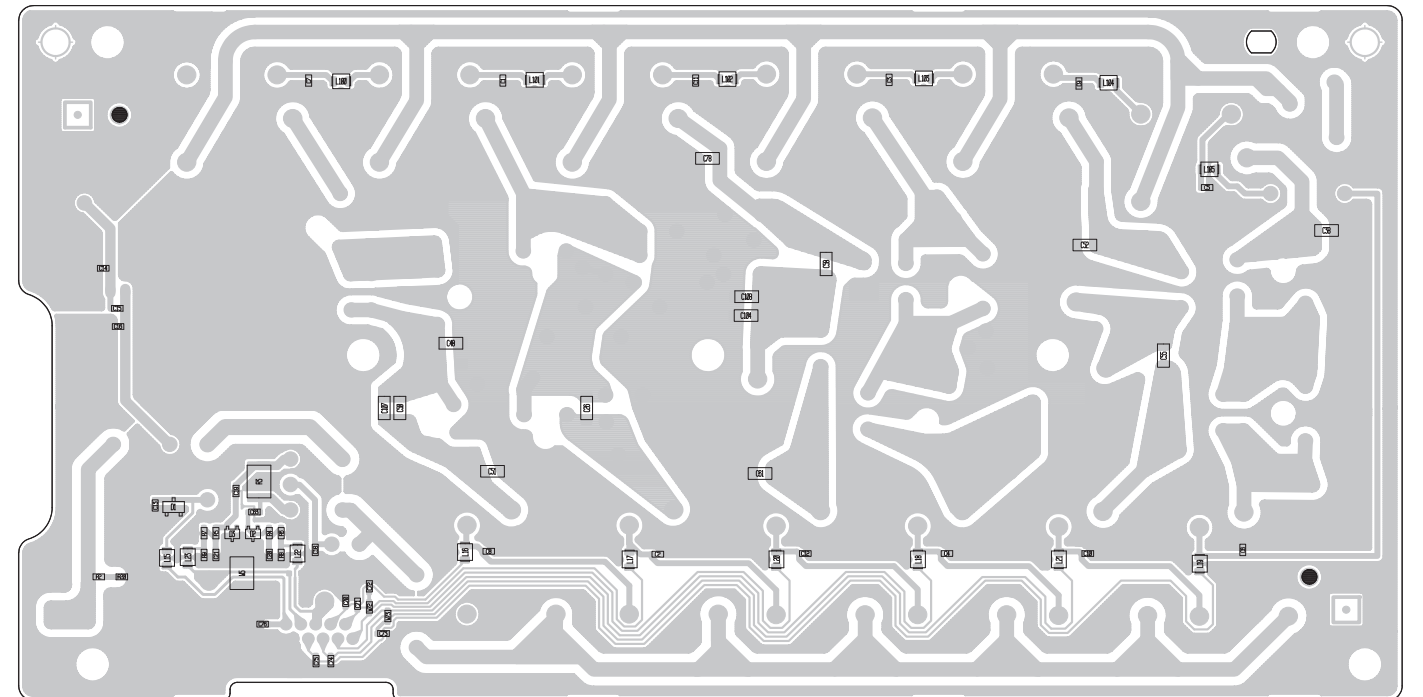
• PA UNIT (BOTTOM VIEW)



• PLL UNIT (BOTTOM VIEW)



• FILTER UNIT (BOTTOM VIEW)



Oct. 2008



SERVICE MANUAL ADDENDUM

IC-78

CONTENTS

REPLACEMENT PAGES.....	1-1, 5-4 to 5-6
PARTS LIST	1
BOARD LAYOUTS.....	13
VOLTAGE DIAGRAM.....	15

SECTION 1 SPECIFICATIONS

■ GENERAL

- Frequency coverage :
 - Receive 0.030–29.999999 MHz*¹
 - Transmit 1.600–29.999999 MHz*²
 - *¹ Guaranteed range: 0.5–29.999999 MHz
 - *² Guaranteed range: 1.600–1.999999 MHz
3.500–3.999999 MHz
5.000–7.999999 MHz
10.000–29.999999 MHz
- Mode : USB, LSB, CW, AM, RTTY (FSK)
- Channel : 100 channel
- Frequency stability : Less than ± 200 Hz from 1 min. to 60 min. after power ON. After that rate of stability less than ± 30 Hz/hr at +25°C (+77°F). Temperature fluctuations 0°C to 50°C (+32°F to +122°F) less than ± 350 Hz.
- Power supply requirement: 13.8 V DC ± 15 %
(negative ground)
- Current consumption :

Transmit	max. power	20.0 A
Receive	stand-by	1.3 A
	max. audio	2.0 A
- Usable temp. range : –10°C to +60°C (14°F to 140°F)
- Antenna connector : SO-239 (50 Ω)
- Dimensions : 240 (W) \times 95(H) \times 239(D) mm
(projection not included) 97/16(W) \times 33/4(H) \times 913/32(D) in
- Weight : 3.8 kg (8 lb 6 oz)
- ACC connector : 13-pin
- REMOTE connector : 2-conductor 3.5(d) mm (1/8")

■ TRANSMITTER

- Modulation system :

SSB	Balanced modulation
AM	Low level modulation
- Output power :

SSB/CW/RTTY/FM	2–100 W
AM	2–35 W
- Spurious emission : Less than –46 dB below peak output power
 - * spurious frequency ; below 30 MHz: –50 dB,
 - above 30 MHz: –60 dB
- Carrier suppression : More than 40 dB
- Unwanted sideband suppression:
 - More than 50 dB
- Mic. connector : 8-pin connector (600 Ω)
- KEY connector : 3-conductor 6.5(d) mm (1/4")
- SEND connector : Phono (RCA)
- ALC connector : Phono (RCA)

■ RECEIVER

- Receive system : Double-conversion superheterodyne
- Sensitivity (10 dB S/N) :

SSB, CW, RTTY	0.16 μ V* ¹ (1.8–29.999999 MHz)
AM	13 μ V (0.5–1.599999 MHz)
	2.0 μ V* ¹ (1.6–29.999999 MHz)

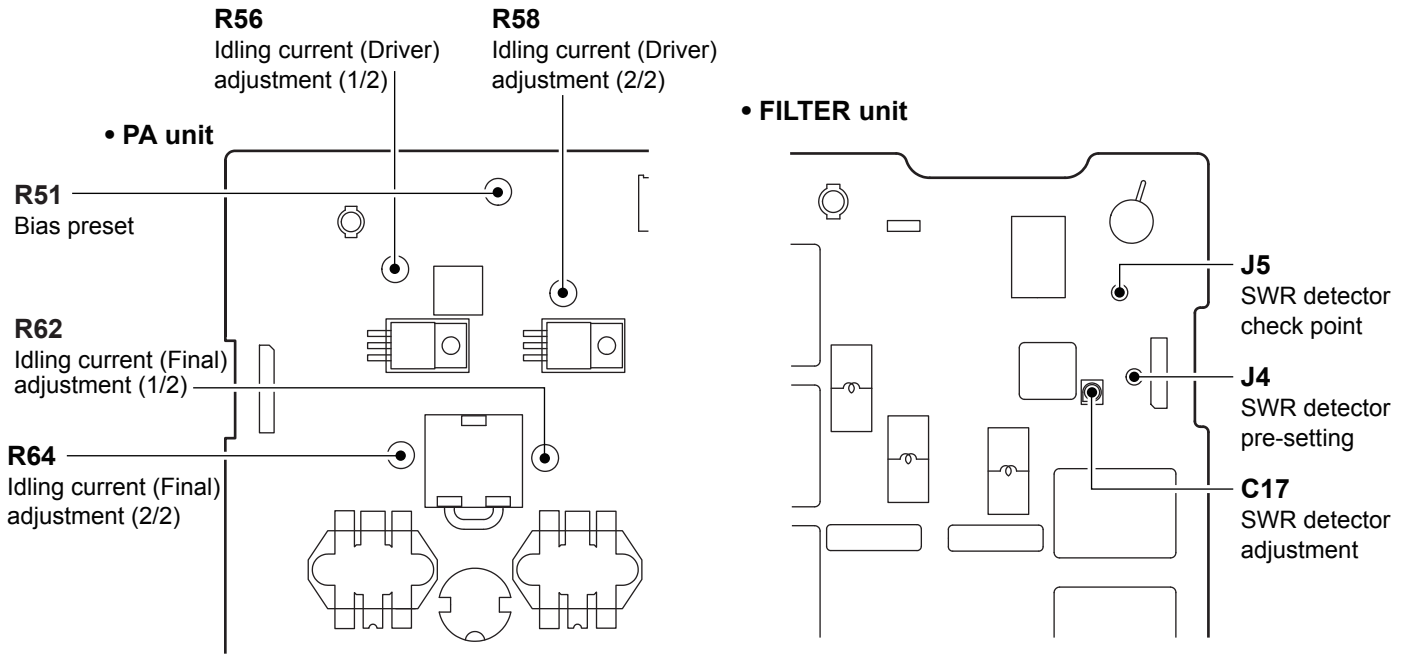
 - *¹ Pre-amp 1 ON
- Squelch sensitivity : Less than 5.6 μ V (SSB)
- Selectivity :

SSB, CW, RTTY	More than 2.1 kHz/–6 dB Less than 4.5 kHz/–60 dB
AM	More than 6.0 kHz/–6 dB Less than 20.0 kHz/–40 dB
- Spurious and image rejection ratio:
 - More than 70 dB
(1.6–29.999999 MHz)
- Audio output power : More than 2.0 W
(at 13.8 V DC) at 10 % distortion with an 8 Ω load
- RIT variable range : ± 1200 Hz
- PHONES connector : 3-conductor 6.5(d) mm (1/4")
- EXT SP connector : 2-conductor 3.5(d) mm (1/8") 8 Ω

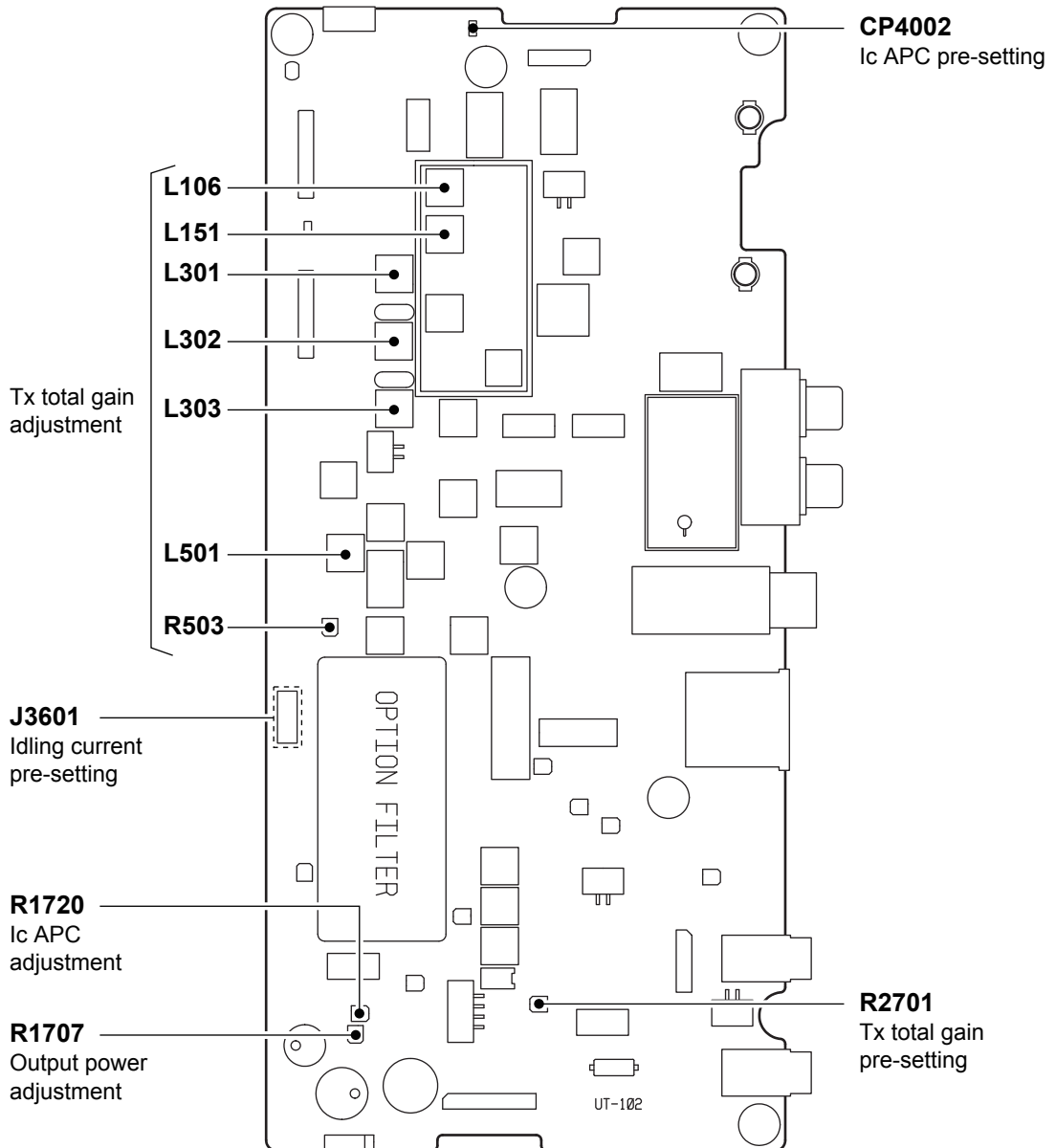
All stated specifications are subject to change without notice or obligation.

5-3 TRANSMITTER ADJUSTMENTS

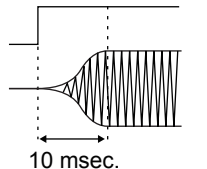
ADJUSTMENT	ADJUSTMENT CONDITION	MEASUREMENT		VALUE	ADJUSTMENT POINT		
		UNIT	LOCATION		UNIT	ADJUST	
IDLING CURRENT (bias preset)	1	<ul style="list-style-type: none"> • Display frequency: 12.23000 MHz • Mode : USB • RF power : Minimum (L) • Mic gain : Minimum (0) • Disconnect J3601 (MAIN unit) and preset R51, 56, 58, 62, 64 (PA unit) to max. counter clockwise. • Transmitting 	PA	Connect a DC voltmeter between CP1 and GND.	0.5 V	PA	R51
	(for driver)	2	<ul style="list-style-type: none"> • Transmitting 	Connect an ammeter (10 A) between power supply and the IC-78.	At the point where the Tx current increases 800 mA by R56, then another 800 mA by R58.		R56 R58
	(for final amplifier)	3	<ul style="list-style-type: none"> • Transmitting 				At the point where the Tx current increases 700 mA by R62, then another 700 mA by R64.
After adjustment, connect J3601 on the MAIN unit.							
SWR DETECTOR	1	<ul style="list-style-type: none"> • Display frequency: 12.23000 MHz • Mode : USB • RF power : Maximum (H) • Connect J4 (FILTER unit) to GND. • Connect an audio generator to [MIC] connector and set as: Frequency : 1.5 kHz Level : 30 mVrms • Transmitting 	Rear panel	Connect an RF power meter to [ANT] connector.	100 W	Front panel	Mic gain control in the quick set mode
	2	<ul style="list-style-type: none"> • Transmitting 	FILTER	Connect a digital multimeter or oscilloscope to J5.	Minimum voltage	FILTER	C17
	After adjustment, disconnect J4 on the FILTER unit from GND.						
TRANSMITTER TOTAL GAIN	1	<ul style="list-style-type: none"> • Display frequency: 12.23000 MHz • Mode : USB • RF power : Maximum (H) • Mic gain : Center (50) • R2701 (MAIN unit): Center • Connect an audio generator to [MIC] connector and set as: Frequency : 1.5 kHz Level : 3 mVrms • Transmitting 	Rear panel	Connect an RF power meter to [ANT] connector.	Maximum output power	MAIN	L106, L151, L301, L302, L303, L501
	2	<ul style="list-style-type: none"> • Transmitting 					50 W
OUTPUT POWER	1	<ul style="list-style-type: none"> • Display frequency: 12.23000 MHz • Mode : USB • RF power : Maximum (H) • MIC gain : Center (50) • Connect an audio generator to [MIC] connector and set as: Frequency : 1.5 kHz Level : 30 mVrms • Transmitting 	Rear panel	Connect an RF power meter to [ANT] connector.	105 W	MAIN	R1707
Ic APC	1	<ul style="list-style-type: none"> • Display frequency: 24.9000 MHz • Mode : USB • Connect CP4002 (MAIN unit) to GND. • RF power : Maximum (H) • Mic gain : Center (50) • Connect an audio generator to [MIC] connector and set as: Frequency : 1.5 kHz Level : 30 mVrms • Transmitting 	Rear panel	Connect an ammeter (30A) between power supply and the IC-78.	22 A	MAIN	R1720
After adjustment, disconnect CP4002 on the MAIN unit from GND.							



• MAIN unit



TRANSMITTER ADJUSTMENTS—continued

ADJUSTMENT	ADJUSTMENT CONDITION	MEASUREMENT		VALUE	ADJUSTMENT POINT	
		UNIT	LOCATION		UNIT	ADJUST
CARRIER SUPPRESSION	1 <ul style="list-style-type: none"> • Display frequency: 12.23000 MHz • Mode : USB • Mic gain : Minimum (0) • Apply no audio signals to [MIC] connector. • Transmitting 	Rear panel	Connect a spectrum analyzer to the [ANT] connector through an attenuator.	Minimum carrier level	MAIN	R2303
AM CARRIER	1 <ul style="list-style-type: none"> • Display frequency: 12.23000 MHz • Mode : AM • RF power : Maximum (H) • Mic gain : Minimum (0) • R2321 (MAIN unit): Center • R2385 (MAIN unit): Center • Apply no audio signals to [MIC] connector. • Transmitting 	Rear panel	Connect an RF power meter to [ANT] connector.	35 W	MAIN	R1730
AM MODULATION	1 <ul style="list-style-type: none"> • Display frequency: 12.23000 MHz • Mode : AM • RF power : Maximum (H) • Mic gain : Center (50) • R2385 (MAIN unit): 9 o'clock • Connect an audio generator to [MIC] connector and set as: Frequency : 1 kHz Level : 30 mVrms • Transmitting 	Rear panel	Connect a modulation analyzer to the [ANT] connector through an attenuator.	70% modulation	MAIN	R2321
	2 <ul style="list-style-type: none"> • Set an AG as: Frequency : 1 kHz Level : 3 mVrms • Transmitting 			90% modulation		R2385
CW CARRIER	1 <ul style="list-style-type: none"> • Display frequency: 12.23000 MHz • Mode : CW • RF power : Maximum (H) • Connect a keyer to the [KEY] jack. • Key down (transmitting) 	MAIN	Connect an oscilloscope to CP3701 and [ANT] connector.	Adjust as follows: Keying (CP3701)  10 msec.	MAIN	R3703

PARTS LIST

[MAIN UNIT]

REF NO.	ORDER NO.	DESCRIPTION	
IC1	1110004080	S.IC	UPC2709T-E3
IC1701	1110003870	S.IC	NJM2058M-TE1-#ZZZB
IC1751	1110002700	S.IC	NJM2904M-TE1-#FMZB
IC2001	1110004870	S.IC	TA4101F (TE12L,F)
IC2101	1110003870	S.IC	NJM2058M-TE1-#ZZZB
IC2102	1130005641	S.IC	TC4W53F(TE12L,F)
IC2201	1140005281	S.IC	UPC5023GS-077-E1-A
IC2301	1110004840	S.IC	NJM1496V-TE1-#ZZZB
IC2351	1110002700	S.IC	NJM2904M-TE1-#FMZB
IC2701	1110003300	S.IC	M5282FP 70CD 0
IC2702	1110001811	S.IC	TA7368FG(5,ER)
IC2801	1130004201	S.IC	TC4S66F(TE85R,F)
IC2901	1110003091	IC	LA4425A-E
IC3001	1130007700	S.IC	BU4094BCF-E2
IC3002	1160000131	S.IC	TD62783AFG(5,S,EL) [OHT]
	1160000131	S.IC	TD62783AFG(5,S,EL) [OHT-1]
	1160000130	S.IC	TD62783AF (S,EL) 2 [OHT-2]
	1160000130	S.IC	TD62783AF (S,EL) 2 [OHT-3]
	1160000131	S.IC	TD62783AFG(5,S,EL) [CHN]
	1160000131	S.IC	TD62783AFG(5,S,EL) [CHN-01]
IC3003	1160000131	S.IC	TD62783AFG(5,S,EL) [OHT]
	1160000131	S.IC	TD62783AFG(5,S,EL) [OHT-1]
	1160000130	S.IC	TD62783AF (S,EL) 2 [OHT-2]
	1160000130	S.IC	TD62783AF (S,EL) 2 [OHT-3]
	1160000131	S.IC	TD62783AFG(5,S,EL) [CHN]
	1160000131	S.IC	TD62783AFG(5,S,EL) [CHN-01]
IC3004	1130007700	S.IC	BU4094BCF-E2
IC3005	1160000131	S.IC	TD62783AFG(5,S,EL) [OHT]
	1160000131	S.IC	TD62783AFG(5,S,EL) [OHT-1]
	1160000130	S.IC	TD62783AF (S,EL) 2 [OHT-2]
	1160000130	S.IC	TD62783AF (S,EL) 2 [OHT-3]
	1160000131	S.IC	TD62783AFG(5,S,EL) [CHN]
	1160000131	S.IC	TD62783AFG(5,S,EL) [CHN-01]
IC3006	1130007700	S.IC	BU4094BCF-E2
IC3301	1110004310	S.IC	M62352GP 75EC
IC3401	1110002031	IC	TA7808S(Q) 0
IC3501	1110001401	S.IC	UPC1555G2-E1-A
IC5601	1130004201	S.IC	TC4S66F(TE85R,F)
Q101	1580000620	S.FET	3SK131-T2 MAS 0
Q102	1580000620	S.FET	3SK131-T2 MAS 0
Q151	1560001420	S.FET	2SK882-GR T5LICOMF 2241
Q201	1530003151	S.TRA	2SC4673D-TD-E
Q501	1590002310	S.TRA	DTC114EE TL
Q502	1560001420	S.FET	2SK882-GR T5LICOMF 2241
Q503	1590002310	S.TRA	DTC114EE TL
Q511	1590002310	S.TRA	DTC114EE TL
Q701	1590002310	S.TRA	DTC114EE TL
Q1001	1510000510	S.TRA	2SA1576A T106R
Q1002	1590002310	S.TRA	DTC114EE TL
Q1101	1560000641	S.FET	2SK1740-4/5-TB-E
Q1102	1560000641	S.FET	2SK1740-4/5-TB-E
Q1103	1560000641	S.FET	2SK1740-4/5-TB-E
Q1104	1560000641	S.FET	2SK1740-4/5-TB-E
Q1201	1580000620	S.FET	3SK131-T2 MAS 0
Q1301	1580000620	S.FET	3SK131-T2 MAS 0
Q1401	1560000721	S.FET	2SK2171-4-TD-E
Q1402	1560000721	S.FET	2SK2171-4-TD-E
Q1501	1560000561	S.FET	2SK882-GR(TE85L,F) 0
Q1502	1560000561	S.FET	2SK882-GR(TE85L,F) 0
Q1503	1560000561	S.FET	2SK882-GR(TE85L,F) 0
Q1504	1530002060	S.TRA	2SC4081 T106 R
Q1505	1510000510	S.TRA	2SA1576A T106R
Q1506	1590002310	S.TRA	DTC114EE TL
Q1507	1530002060	S.TRA	2SC4081 T106 R
Q1508	1530002060	S.TRA	2SC4081 T106 R
Q1509	1590001870	S.TRA	DTA114EE TL
Q1601	1530002060	S.TRA	2SC4081 T106 R
Q1602	1560000561	S.FET	2SK882-GR(TE85L,F) 0
Q1603	1580000620	S.FET	3SK131-T2 MAS 0
Q1611	1530002060	S.TRA	2SC4081 T106 R
Q1703	1510000510	S.TRA	2SA1576A T106R
Q1705	1590002310	S.TRA	DTC114EE TL
Q1706	1590002310	S.TRA	DTC114EE TL
Q1801	1590001540	S.TRA	UMD6N TR
Q1802	1590001540	S.TRA	UMD6N TR
Q1803	1590001540	S.TRA	UMD6N TR
Q1805	1530002060	S.TRA	2SC4081 T106 R
Q2201	1590002310	S.TRA	DTC114EE TL
Q2302	1590002310	S.TRA	DTC114EE TL
Q2381	1530002060	S.TRA	2SC4081 T106 R
Q2383	1590002310	S.TRA	DTC114EE TL
Q2384	1590002310	S.TRA	DTC114EE TL
Q3101	1590002310	S.TRA	DTC114EE TL
Q3601	1540000550	S.TRA	2SD1664 T100Q
Q3701	1590002310	S.TRA	DTC114EE TL
Q3702	1590001870	S.TRA	DTA114EE TL
Q3801	1590002310	S.TRA	DTC114EE TL
Q3802	1590001870	S.TRA	DTA114EE TL
Q4601	1540000441	S.TRA	2SD1619T-TD-E
Q4801	1590002310	S.TRA	DTC114EE TL

[MAIN UNIT]

REF NO.	ORDER NO.	DESCRIPTION	
D201	1790000620	S.DIO	MA77(TX) 0
D202	1790000620	S.DIO	MA77(TX) 0
D301	1790000620	S.DIO	MA77(TX) 0
D302	1790000620	S.DIO	MA77(TX) 0
D303	1790000620	S.DIO	MA77(TX) 0
D304	1790000620	S.DIO	MA77(TX) 0
D305	1790000620	S.DIO	MA77(TX) 0
D306	1790000620	S.DIO	MA77(TX) 0
D401	1750000431	S.DIO	HSB88WSTR-E
D501	1160000070	S.DIO	DAN202K T146
D502	1790001250	S.DIO	MA2S111-(TX)
D503	1160000070	S.DIO	DAN202K T146
D601	1160000080	S.DIO	DAP202K T146
D602	1160000070	S.DIO	DAN202K T146
D603	1160000080	S.DIO	DAP202K T146
D604	1160000070	S.DIO	DAN202K T146
D605	1160000080	S.DIO	DAP202K T146
D606	1160000070	S.DIO	DAN202K T146
D607	1160000080	S.DIO	DAP202K T146
D608	1160000070	S.DIO	DAN202K T146
D701	1750000641	S.DIO	1SV312(TE85L,F)
D801	1750000641	S.DIO	1SV312(TE85L,F)
D802	1750000641	S.DIO	1SV312(TE85L,F)
D803	1790000620	S.DIO	MA77(TX) 0
D804	1790000620	S.DIO	MA77(TX) 0
D805	1790000620	S.DIO	MA77(TX) 0
D806	1790000620	S.DIO	MA77(TX) 0
D807	1790000620	S.DIO	MA77(TX) 0
D808	1790000620	S.DIO	MA77(TX) 0
D809	1790000620	S.DIO	MA77(TX) 0
D810	1790000620	S.DIO	MA77(TX) 0
D811	1790000620	S.DIO	MA77(TX) 0
D812	1790000620	S.DIO	MA77(TX) 0
D813	1790000620	S.DIO	MA77(TX) 0
D814	1790000620	S.DIO	MA77(TX) 0
D815	1790000620	S.DIO	MA77(TX) 0
D816	1790000620	S.DIO	MA77(TX) 0
D901	1790000620	S.DIO	MA77(TX) 0
D902	1790000620	S.DIO	MA77(TX) 0
D903	1790000620	S.DIO	MA77(TX) 0
D904	1790000620	S.DIO	MA77(TX) 0
D1301	1790000620	S.DIO	MA77(TX) 0
D1302	1790000620	S.DIO	MA77(TX) 0
D1501	1790001211	S.DIO	1SS375-TL-E
D1503	1790001250	S.DIO	MA2S111-(TX)
D1510	1790001250	S.DIO	MA2S111-(TX)
D1631	1160000070	S.DIO	DAN202K T146
D1632	1790000620	S.DIO	MA77(TX) 0
D1701	1730002450	S.ZEN	MA8043-H(TX)
D1702	1790000950	S.ZEN	MA8056-M(TX)
D1703	1790001250	S.DIO	MA2S111-(TX)
D1704	1160000080	S.DIO	DAP202K T146
D1705	1160000080	S.DIO	DAP202K T146
D1706	1790001250	S.DIO	MA2S111-(TX)
D1707	1790001250	S.DIO	MA2S111-(TX)
D1801	1790001211	S.DIO	1SS375-TL-E
D1802	1790001250	S.DIO	MA2S111-(TX)
D1803	1790001211	S.DIO	1SS375-TL-E
D1901	1790001211	S.DIO	1SS375-TL-E
D2101	1790001250	S.DIO	MA2S111-(TX)
D2201	1750000370	S.DIO	DA221 TL
D2202	1750000370	S.DIO	DA221 TL
D2301	1790001250	S.DIO	MA2S111-(TX)
D2381	1790001211	S.DIO	1SS375-TL-E
D2701	1160000080	S.DIO	DAP202K T146
D3001	1160000070	S.DIO	DAN202K T146
D3002	1160000070	S.DIO	DAN202K T146
D3502	1750000370	S.DIO	DA221 TL
D3503	1730002320	S.ZEN	MA8051-M(TX)
D3701	1160000070	S.DIO	DAN202K T146
D4220	1790001240	S.DIO	MA2S728-(TX)
D4801	1790001250	S.DIO	MA2S111-(TX)
FI301	2010002470	XTA	64M15B1 64.45500 MHz(FL-315)
FI611	2020000210	CER	CFJ455K5 (FL-65)
FI1301	2020001330	CER	CFWLA455KHFA-B0 (CFW5455HT)
L1	6200003261	S.COI	NLV32T-101J
L2	6200003001	S.COI	NLV32T-R22J [OHT]
	6200003001	S.COI	NLV32T-R22J [OHT-1]
	6200003000	S.COI	NL 322522T-R22J-3 2 [OHT-2]
	6200003000	S.COI	NL 322522T-R22J-3 2 [OHT-3]
	6200003001	S.COI	NLV32T-R22J [CHN]
	6200003001	S.COI	NLV32T-R22J [CHN-01]
L100	6200004790	S.COI	MLF1608D R47K-T
L101	6200003001	S.COI	NLV32T-R22J
L102	6200003011	S.COI	NLV32T-R27J
L103	6200001851	S.COI	NLV32T-5R6J
L104	6200003261	S.COI	NLV32T-101J
L105	6140003210	S.COI	LR-358
L106	6150004270	COI	LS-483A (C-14924)

M.=Mounted side (T: Mounted on the Top side, B: Mounted on the Bottom side)
S.=Surface mount

[MAIN UNIT]

REF NO.	ORDER NO.	DESCRIPTION	
L151	6150004280	COI LS-484B (C-14927)	
L152	6200003261	S.COI NLV32T-101J	
L153	6200003550	S.COI MLF1608A 4R7K-T	
L201	6200001831	S.COI NLV32T-100J	
L202	6200003001	S.COI NLV32T-R22J	
L301	6150005110	COI LS-540	
L302	6150004270	COI LS-483A (C-14924)	
L303	6150005110	COI LS-540	
L401	6140003210	S.COI LR-358	
L402	6140003530	COI LR-395	
L501	6150004090	COI LS-469 (C-13969)	
L701	6200003261	S.COI NLV32T-101J	[OHT]
	6200003261	S.COI NLV32T-101J	[OHT-1]
	6200003260	S.COI NL 322522T-101J 2	[OHT-2]
	6200003260	S.COI NL 322522T-101J 2	[OHT-3]
	6200003261	S.COI NLV32T-101J	[CHN]
	6200003261	S.COI NLV32T-101J	[CHN-01]
L702	6200003261	S.COI NLV32T-101J	
L703	6200003261	S.COI NLV32T-101J	
L801	6200003261	S.COI NLV32T-101J	
L802	6200012670	S.COI LB3218T331K	
L811	6200002961	S.COI NLV32T-4R7J	
L812	6200003321	S.COI NLV32T-3R3J	
L813	6200003261	S.COI NLV32T-101J	
L814	6200003261	S.COI NLV32T-101J	
L821	6200001851	S.COI NLV32T-5R6J	
L822	6200003111	S.COI NLV32T-6R8J	
L831	6200003261	S.COI NLV32T-101J	
L832	6200003091	S.COI NLV32T-2R7J	
L833	6200003101	S.COI NLV32T-3R9J	
L835	6200002961	S.COI NLV32T-4R7J	
L836	6200001851	S.COI NLV32T-5R6J	
L841	6200003261	S.COI NLV32T-101J	
L842	6200002991	S.COI NLV32T-2R2J	
L843	6200002991	S.COI NLV32T-2R2J	
L851	6200003261	S.COI NLV32T-101J	
L852	6200003051	S.COI NLV32T-R82J	
L853	6200003061	S.COI NLV32T-1R2J	
L854	6200003081	S.COI NLV32T-1R8J	
L855	6200003071	S.COI NLV32T-1R5J	
L861	6200003261	S.COI NLV32T-101J	
L862	6200003061	S.COI NLV32T-1R2J	
L863	6200003331	S.COI NLV32T-1R0J	
L864	6200003051	S.COI NLV32T-R82J	
L865	6200003061	S.COI NLV32T-1R2J	
L871	6200003261	S.COI NLV32T-101J	
L872	6200003031	S.COI NLV32T-R47J	
L873	6200002981	S.COI NLV32T-R56J	
L874	6200003041	S.COI NLV32T-R68J	
L875	6200003051	S.COI NLV32T-R82J	
L881	6200003261	S.COI NLV32T-101J	
L882	6200003251	S.COI NLV32T-R39J	
L883	6200003251	S.COI NLV32T-R39J	
L884	6200003031	S.COI NLV32T-R47J	
L885	6200002981	S.COI NLV32T-R56J	
L891	6200003261	S.COI NLV32T-101J	
L892	6200003011	S.COI NLV32T-R27J	
L893	6200003011	S.COI NLV32T-R27J	
L894	6200003021	S.COI NLV32T-R33J	
L895	6200003251	S.COI NLV32T-R39J	
L901	6200003261	S.COI NLV32T-101J	
L902	6180002961	S.COI NLV32T-R18J	[OHT]
	6180002961	S.COI NLV32T-R18J	[OHT-1]
	6200002961	S.COI NLV32T-4R7J	[OHT-2]
	6200002961	S.COI NLV32T-4R7J	[OHT-3]
	6180002961	S.COI NLV32T-R18J	[CHN]
	6180002961	S.COI NLV32T-R18J	[CHN-01]
L903	6200003011	S.COI NLV32T-R27J	
L904	6200003021	S.COI NLV32T-R33J	
L1101	6140003210	S.COI LR-358	
L1102	6140003620	COI LR-403	
L1103	6150004270	COI LS-483A (C-14924)	
L1104	6200003261	S.COI NLV32T-101J	
L1106	6200002041	S.COI NLV25T-101J	
L1201	6150004280	COI LS-484B (C-14927)	
L1202	6150004280	COI LS-484B (C-14927)	
L1301	6150004080	COI LS-468 (C-13958)	
L1302	6150004080	COI LS-468 (C-13958)	
L1303	6150004080	COI LS-468 (C-13958)	
L1304	6200012670	S.COI LB3218T331K	
L1401	6140000640	COI LR-86	
L1402	6140003550	COI LR-397 (LR-169)	
L1501	6150002291	COI LS-450	
L1502	6150002291	COI LS-450	
L1503	6200012670	S.COI LB3218T331K	
L1601	6150002291	COI LS-450	
L1611	6150002291	COI LS-450	
L1621	6150002291	COI LS-450	
L2001	6200003261	S.COI NLV32T-101J	
L2301	6200003261	S.COI NLV32T-101J	
L2901	6140002220	COI LR-270 (TR63X2 3A9)	
L3501	6180000960	COI LAL 03NA 102K	
L3502	6180003630	COI EL0607SKI-102J	
L4501	6200003950	S.COI HF50ACC 322513-T	
L4651	6200003950	S.COI HF50ACC 322513-T	
L4652	6200001831	S.COI NLV32T-100J	
L4653	6200003950	S.COI HF50ACC 322513-T	
L4654	6200003950	S.COI HF50ACC 322513-T	
L4656	6200001831	S.COI NLV32T-100J	

[MAIN UNIT]

REF NO.	ORDER NO.	DESCRIPTION	
L4657	6200001831	S.COI NLV32T-100J	
L4658	6200003261	S.COI NLV32T-101J	
L4659	6200001831	S.COI NLV32T-100J	
L4660	6200001831	S.COI NLV32T-100J	
L4661	6200003261	S.COI NLV32T-101J	
L4801	6200003261	S.COI NLV32T-101J	
L4802	6200003950	S.COI HF50ACC 322513-T	
L5101	6200003331	S.COI NLV32T-1R0J	
L5102	6200003331	S.COI NLV32T-1R0J	
R1	7030003370	S.RES ERJ3GEYJ 271 V (270)	
R2	7030003230	S.RES ERJ3GEYJ 180 V (18)	
R3	7030003370	S.RES ERJ3GEYJ 271 V (270)	
R4	7030003220	S.RES ERJ3GEYJ 150 V (15)	
R5	7030003370	S.RES ERJ3GEYJ 271 V (270)	
R6	7030003230	S.RES ERJ3GEYJ 180 V (18)	
R7	7030003370	S.RES ERJ3GEYJ 271 V (270)	
R101	7030003320	S.RES ERJ3GEYJ 101 V (100)	
R102	7030003680	S.RES ERJ3GEYJ 104 V (100K)	
R103	7030003680	S.RES ERJ3GEYJ 104 V (100K)	
R104	7030003680	S.RES ERJ3GEYJ 104 V (100K)	
R105	7030003440	S.RES ERJ3GEYJ 102 V (1K)	
R106	7030003600	S.RES ERJ3GEYJ 223 V (22K)	
R107	7030003480	S.RES ERJ3GEYJ 222 V (2.2K)	
R108	7030003520	S.RES ERJ3GEYJ 472 V (4.7K)	
R151	7030003320	S.RES ERJ3GEYJ 101 V (100)	
R152	7030003340	S.RES ERJ3GEYJ 151 V (150)	
R153	7030003500	S.RES ERJ3GEYJ 332 V (3.3K)	
R154	7030003440	S.RES ERJ3GEYJ 102 V (1K)	
R155	7510001500	S.THE NTCG10 4BH 332JT	
R156	7030003440	S.RES ERJ3GEYJ 102 V (1K)	
R201	7030003440	S.RES ERJ3GEYJ 102 V (1K)	
R202	7030007180	S.RES ERJ12YJ150U (15)	
R203	7030003520	S.RES ERJ3GEYJ 472 V (4.7K)	
R204	7030003420	S.RES ERJ3GEYJ 681 V (680)	
R205	7030003290	S.RES ERJ3GEYJ 560 V (56)	
R206	7030003200	S.RES ERJ3GEYJ 100 V (10)	
R301	7030003440	S.RES ERJ3GEYJ 102 V (1K)	
R302	7030003440	S.RES ERJ3GEYJ 102 V (1K)	
R303	7030003440	S.RES ERJ3GEYJ 102 V (1K)	
R304	7030003440	S.RES ERJ3GEYJ 102 V (1K)	
R401	7030003370	S.RES ERJ3GEYJ 271 V (270)	
R402	7030003230	S.RES ERJ3GEYJ 180 V (18)	
R403	7030003370	S.RES ERJ3GEYJ 271 V (270)	
R501	7030003440	S.RES ERJ3GEYJ 102 V (1K)	
R502	7030003440	S.RES ERJ3GEYJ 102 V (1K)	
R503	7310005030	S.TRI RH03ADCS4X (47K) 1	
R504	7030003320	S.RES ERJ3GEYJ 101 V (100)	
R505	7030003600	S.RES ERJ3GEYJ 223 V (22K)	
R506	7030003560	S.RES ERJ3GEYJ 103 V (10K)	
R507	7030003520	S.RES ERJ3GEYJ 472 V (4.7K)	
R508	7510001530	S.THE NTCG20 3NH 103JT	
R509	7030003560	S.RES ERJ3GEYJ 103 V (10K)	
R510	7030003560	S.RES ERJ3GEYJ 103 V (10K)	
R511	7030003480	S.RES ERJ3GEYJ 222 V (2.2K)	
R512	7030003520	S.RES ERJ3GEYJ 472 V (4.7K)	
R513	7030003620	S.RES ERJ3GEYJ 333 V (33K)	
R514	7030003620	S.RES ERJ3GEYJ 333 V (33K)	
R601	7030003560	S.RES ERJ3GEYJ 103 V (10K)	
R602	7030003620	S.RES ERJ3GEYJ 333 V (33K)	
R603	7030003620	S.RES ERJ3GEYJ 333 V (33K)	
R604	7030003520	S.RES ERJ3GEYJ 472 V (4.7K)	
R605	7030003520	S.RES ERJ3GEYJ 472 V (4.7K)	
R606	7030003560	S.RES ERJ3GEYJ 103 V (10K)	
R611	7030003560	S.RES ERJ3GEYJ 103 V (10K)	
R612	7030003530	S.RES ERJ3GEYJ 562 V (5.6K)	
R613	7030003320	S.RES ERJ3GEYJ 101 V (100)	
R614	7030003560	S.RES ERJ3GEYJ 103 V (10K)	
R621	7030003500	S.RES ERJ3GEYJ 332 V (3.3K)	
R622	7030003530	S.RES ERJ3GEYJ 562 V (5.6K)	
R623	7030003320	S.RES ERJ3GEYJ 101 V (100)	
R624	7030003500	S.RES ERJ3GEYJ 332 V (3.3K)	
R631	7030003560	S.RES ERJ3GEYJ 103 V (10K)	
R632	7030003530	S.RES ERJ3GEYJ 562 V (5.6K)	
R633	7030003440	S.RES ERJ3GEYJ 102 V (1K)	
R634	7030003320	S.RES ERJ3GEYJ 101 V (100)	
R635	7030003560	S.RES ERJ3GEYJ 103 V (10K)	
R701	7030009830	S.RES ERJ12YJ391U (390)	
R703	7030006250	S.RES ERJ12YJ271U (270)	
R704	7030009830	S.RES ERJ12YJ391U (390)	
R705	7030006260	S.RES ERJ12YJ471U (470)	
R801	7030003400	S.RES ERJ3GEYJ 471 V (470)	
R802	7030003400	S.RES ERJ3GEYJ 471 V (470)	
R821	7030003240	S.RES ERJ3GEYJ 220 V (22)	
R822	7030003280	S.RES ERJ3GEYJ 470 V (47)	
R823	7030003240	S.RES ERJ3GEYJ 220 V (22)	
R824	7030003400	S.RES ERJ3GEYJ 471 V (470)	
R831	7030003400	S.RES ERJ3GEYJ 471 V (470)	
R832	7030003400	S.RES ERJ3GEYJ 471 V (470)	[OHT]
	7030003400	S.RES ERJ3GEYJ 471 V (470)	[OHT-1]
	7030003400	S.RES ERJ3GEYJ 471 V (470)	[OHT-2]
	7030003440	S.RES ERJ3GEYJ 102 V (1K)	[OHT-3]
	7030003400	S.RES ERJ3GEYJ 471 V (470)	[CHN]
	7030003400	S.RES ERJ3GEYJ 471 V (470)	[CHN-01]
R833	7030003400	S.RES ERJ3GEYJ 471 V (470)	[OHT]
	7030003400	S.RES ERJ3GEYJ 471 V (470)	[OHT-1]
	7030003400	S.RES ERJ3GEYJ 471 V (470)	[OHT-2]
	7030003440	S.RES ERJ3GEYJ 102 V (1K)	[OHT-3]

M.=Mounted side (T: Mounted on the Top side, B: Mounted on the Bottom side) S.=Surface mount

[MAIN UNIT]

REF NO.	ORDER NO.	DESCRIPTION	
R833	7030003400	S.RES ERJ3GEYJ 471 V (470)	[CHN]
	7030003400	S.RES ERJ3GEYJ 471 V (470)	[CHN-01]
R841	7030003400	S.RES ERJ3GEYJ 471 V (470)	
R842	7030003400	S.RES ERJ3GEYJ 471 V (470)	
R851	7030003400	S.RES ERJ3GEYJ 471 V (470)	
R852	7030003440	S.RES ERJ3GEYJ 102 V (1K)	
R861	7030003400	S.RES ERJ3GEYJ 471 V (470)	
R862	7030003440	S.RES ERJ3GEYJ 102 V (1K)	
R871	7030003400	S.RES ERJ3GEYJ 471 V (470)	
R872	7030003440	S.RES ERJ3GEYJ 102 V (1K)	
R881	7030003400	S.RES ERJ3GEYJ 471 V (470)	
R882	7030003440	S.RES ERJ3GEYJ 102 V (1K)	
R891	7030003400	S.RES ERJ3GEYJ 471 V (470)	
R892	7030003440	S.RES ERJ3GEYJ 102 V (1K)	
R901	7030003400	S.RES ERJ3GEYJ 471 V (470)	
R902	7030003360	S.RES ERJ3GEYJ 221 V (220)	
R903	7030003440	S.RES ERJ3GEYJ 102 V (1K)	
R904	7030003560	S.RES ERJ3GEYJ 103 V (10K)	
R1001	7030003640	S.RES ERJ3GEYJ 473 V (47K)	
R1002	7030003440	S.RES ERJ3GEYJ 102 V (1K)	
R1101	7030003440	S.RES ERJ3GEYJ 102 V (1K)	
R1102	7030003320	S.RES ERJ3GEYJ 101 V (100)	
R1103	7030003420	S.RES ERJ3GEYJ 681 V (680)	
R1105	7030003420	S.RES ERJ3GEYJ 681 V (680)	
R1107	7030000220	S.RES MCR10EZHZ 47 (470)	
R1108	7030003440	S.RES ERJ3GEYJ 102 V (1K)	
R1201	7030003440	S.RES ERJ3GEYJ 102 V (1K)	
R1202	7030003530	S.RES ERJ3GEYJ 562 V (5.6K)	
R1204	7030003470	S.RES ERJ3GEYJ 182 V (1.8K)	
R1205	7030003800	S.RES ERJ3GEYJ 105 V (1M)	
R1206	7030003340	S.RES ERJ3GEYJ 151 V (150)	
R1207	7030003480	S.RES ERJ3GEYJ 222 V (2.2K)	
R1208	7030003320	S.RES ERJ3GEYJ 101 V (100)	
R1209	7030003440	S.RES ERJ3GEYJ 102 V (1K)	
R1300	7030003680	S.RES ERJ3GEYJ 104 V (100K)	
R1301	7030003440	S.RES ERJ3GEYJ 102 V (1K)	
R1302	7030003360	S.RES ERJ3GEYJ 221 V (220)	
R1304	7030003520	S.RES ERJ3GEYJ 472 V (4.7K)	
R1305	7030003470	S.RES ERJ3GEYJ 182 V (1.8K)	
R1306	7030003760	S.RES ERJ3GEYJ 474 V (470K)	
R1307	7030003540	S.RES ERJ3GEYJ 682 V (6.8K)	
R1308	7030003360	S.RES ERJ3GEYJ 221 V (220)	
R1310	7030003480	S.RES ERJ3GEYJ 222 V (2.2K)	
R1311	7030003480	S.RES ERJ3GEYJ 222 V (2.2K)	
R1401	7030003360	S.RES ERJ3GEYJ 221 V (220)	
R1402	7030003240	S.RES ERJ3GEYJ 220 V (22)	
R1403	7030004040	S.RES ERJ3GEYJ 4R7 V (4.7)	
R1404	7030003560	S.RES ERJ3GEYJ 103 V (10K)	
R1501	7030003640	S.RES ERJ3GEYJ 473 V (47K)	
R1502	7030003400	S.RES ERJ3GEYJ 471 V (470)	
R1503	7030003320	S.RES ERJ3GEYJ 101 V (100)	
R1504	7030003600	S.RES ERJ3GEYJ 223 V (22K)	
R1505	7030003400	S.RES ERJ3GEYJ 471 V (470)	
R1506	7030003320	S.RES ERJ3GEYJ 101 V (100)	
R1507	7030003320	S.RES ERJ3GEYJ 101 V (100)	
R1508	7030003600	S.RES ERJ3GEYJ 223 V (22K)	
R1509	7030003500	S.RES ERJ3GEYJ 332 V (3.3K)	
R1510	7030003400	S.RES ERJ3GEYJ 471 V (470)	
R1511	7030003680	S.RES ERJ3GEYJ 104 V (100K)	
R1513	7030003640	S.RES ERJ3GEYJ 473 V (47K)	
R1514	7030003640	S.RES ERJ3GEYJ 473 V (47K)	
R1515	7030003380	S.RES ERJ3GEYJ 331 V (330)	
R1516	7030003840	S.RES ERJ3GEYJ 225 V (2.2M)	
R1517	7030003510	S.RES ERJ3GEYJ 392 V (3.9K)	
R1518	7030003440	S.RES ERJ3GEYJ 102 V (1K)	
R1519	7030003320	S.RES ERJ3GEYJ 101 V (100)	
R1520	7030003540	S.RES ERJ3GEYJ 682 V (6.8K)	
R1521	7030003440	S.RES ERJ3GEYJ 102 V (1K)	
R1522	7030003360	S.RES ERJ3GEYJ 221 V (220)	
R1523	7030003640	S.RES ERJ3GEYJ 473 V (47K)	
R1601	7030003280	S.RES ERJ3GEYJ 470 V (47)	
R1602	7030003400	S.RES ERJ3GEYJ 471 V (470)	
R1603	7030003610	S.RES ERJ3GEYJ 273 V (27K)	
R1604	7030003640	S.RES ERJ3GEYJ 473 V (47K)	
R1610	7030003480	S.RES ERJ3GEYJ 222 V (2.2K)	
R1611	7030003320	S.RES ERJ3GEYJ 101 V (100)	
R1612	7510001390	S.THE NTCG20 3FH 332JT	
R1614	73100005050	S.TRI RH03ADC3X (4.7K) 1	
R1615	7030003560	S.RES ERJ3GEYJ 103 V (10K)	
R1616	7030003560	S.RES ERJ3GEYJ 103 V (10K)	
R1617	7510001500	S.THE NTCG10 4BH 332JT	
R1621	7030003320	S.RES ERJ3GEYJ 101 V (100)	
R1622	7030003480	S.RES ERJ3GEYJ 222 V (2.2K)	
R1623	7030003410	S.RES ERJ3GEYJ 561 V (560)	
R1624	7030003400	S.RES ERJ3GEYJ 471 V (470)	
R1625	7030003760	S.RES ERJ3GEYJ 474 V (470K)	
R1626	7030003720	S.RES ERJ3GEYJ 224 V (220K)	
R1627	7510001500	S.THE NTCG10 4BH 332JT	
R1631	7030003560	S.RES ERJ3GEYJ 103 V (10K)	
R1632	7030003560	S.RES ERJ3GEYJ 103 V (10K)	
R1633	7030003680	S.RES ERJ3GEYJ 104 V (100K)	
R1703	7030003680	S.RES ERJ3GEYJ 104 V (100K)	
R1706	7030003380	S.RES ERJ3GEYJ 331 V (330)	
R1707	7310005190	S.TRI RH03ADC15X (100K) 1	
R1708	7030003720	S.RES ERJ3GEYJ 224 V (220K)	
R1709	7030003680	S.RES ERJ3GEYJ 104 V (100K)	
R1710	7030003840	S.RES ERJ3GEYJ 225 V (2.2M)	
R1711	7030003380	S.RES ERJ3GEYJ 331 V (330)	
R1712	7030003680	S.RES ERJ3GEYJ 104 V (100K)	

[MAIN UNIT]

REF NO.	ORDER NO.	DESCRIPTION	
R1713	7030003800	S.RES ERJ3GEYJ 105 V (1M)	
R1714	7030003730	S.RES ERJ3GEYJ 274 V (270K)	
R1715	7030003570	S.RES ERJ3GEYJ 123 V (12K)	
R1716	7030003400	S.RES ERJ3GEYJ 471 V (470)	
R1717	7030003640	S.RES ERJ3GEYJ 473 V (47K)	
R1718	7030003640	S.RES ERJ3GEYJ 473 V (47K)	
R1719	7030003620	S.RES ERJ3GEYJ 333 V (33K)	
R1720	7310005020	S.TRI RH03ADC14X (10K) 1	
R1721	7030003620	S.RES ERJ3GEYJ 333 V (33K)	
R1722	7030003800	S.RES ERJ3GEYJ 105 V (1M)	
R1723	7030003400	S.RES ERJ3GEYJ 471 V (470)	
R1724	7030003560	S.RES ERJ3GEYJ 103 V (10K)	
R1725	7030003680	S.RES ERJ3GEYJ 104 V (100K)	
R1729	7030003560	S.RES ERJ3GEYJ 103 V (10K)	
R1730	7310005190	S.TRI RH03ADC15X (100K) 1	
R1751	7030003790	S.RES ERJ3GEYJ 824 V (820K)	
R1752	7030003840	S.RES ERJ3GEYJ 225 V (2.2M)	
R1754	7030003760	S.RES ERJ3GEYJ 474 V (470K)	
R1755	7030003440	S.RES ERJ3GEYJ 102 V (1K)	
R1801	7030003440	S.RES ERJ3GEYJ 102 V (1K)	
R1802	7030003840	S.RES ERJ3GEYJ 225 V (2.2M)	
R1803	7030003830	S.RES ERJ3GEYJ 185 V (1.8M)	
R1804	7030003720	S.RES ERJ3GEYJ 224 V (220K)	
R1805	7030003680	S.RES ERJ3GEYJ 104 V (100K)	
R1806	7030003800	S.RES ERJ3GEYJ 105 V (1M)	
R1807	7030003560	S.RES ERJ3GEYJ 103 V (10K)	
R1808	7030003580	S.RES ERJ3GEYJ 153 V (15K)	
R1809	7030003320	S.RES ERJ3GEYJ 101 V (100)	
R1810	7030003800	S.RES ERJ3GEYJ 105 V (1M)	
R1812	7030003580	S.RES ERJ3GEYJ 153 V (15K)	
R1813	7030003500	S.RES ERJ3GEYJ 332 V (3.3K)	
R1814	7030003440	S.RES ERJ3GEYJ 102 V (1K)	
R1815	7030003600	S.RES ERJ3GEYJ 223 V (22K)	
R1901	7030003560	S.RES ERJ3GEYJ 103 V (10K)	
R1902	7030003640	S.RES ERJ3GEYJ 473 V (47K)	
R1903	7030003440	S.RES ERJ3GEYJ 102 V (1K)	
R1904	7030003280	S.RES ERJ3GEYJ 470 V (47)	
R1905	7030003680	S.RES ERJ3GEYJ 104 V (100K)	
R1906	7030003650	S.RES ERJ3GEYJ 563 V (56K)	
R1907	7030003440	S.RES ERJ3GEYJ 102 V (1K)	
R2001	7030003320	S.RES ERJ3GEYJ 101 V (100)	
R2002	7030003600	S.RES ERJ3GEYJ 223 V (22K)	
R2003	7030003320	S.RES ERJ3GEYJ 101 V (100)	
R2004	7030003360	S.RES ERJ3GEYJ 221 V (220)	
R2005	7030003400	S.RES ERJ3GEYJ 471 V (470)	
R2006	7030003380	S.RES ERJ3GEYJ 331 V (330)	
R2007	7030003480	S.RES ERJ3GEYJ 222 V (2.2K)	
R2008	7030003480	S.RES ERJ3GEYJ 222 V (2.2K)	
R2101	7030003400	S.RES ERJ3GEYJ 471 V (470)	
R2102	7030003560	S.RES ERJ3GEYJ 103 V (10K)	
R2103	7030003560	S.RES ERJ3GEYJ 103 V (10K)	
R2104	7030003640	S.RES ERJ3GEYJ 473 V (47K)	
R2105	7030003640	S.RES ERJ3GEYJ 473 V (47K)	
R2106	7030003640	S.RES ERJ3GEYJ 473 V (47K)	
R2107	7030003640	S.RES ERJ3GEYJ 473 V (47K)	
R2108	7030003400	S.RES ERJ3GEYJ 471 V (470)	
R2201	7030003440	S.RES ERJ3GEYJ 102 V (1K)	
R2202	7030003560	S.RES ERJ3GEYJ 103 V (10K)	
R2203	7030003560	S.RES ERJ3GEYJ 103 V (10K)	
R2204	7030003680	S.RES ERJ3GEYJ 104 V (100K)	
R2206	7030003710	S.RES ERJ3GEYJ 184 V (180K)	
R2208	7030003560	S.RES ERJ3GEYJ 103 V (10K)	
R2209	7030003680	S.RES ERJ3GEYJ 104 V (100K)	
R2210	7030003520	S.RES ERJ3GEYJ 472 V (4.7K)	
R2211	7030003670	S.RES ERJ3GEYJ 823 V (82K)	
R2212	7030003720	S.RES ERJ3GEYJ 224 V (220K)	
R2213	7030003720	S.RES ERJ3GEYJ 224 V (220K)	
R2214	7030003520	S.RES ERJ3GEYJ 472 V (4.7K)	
R2215	7030003560	S.RES ERJ3GEYJ 103 V (10K)	
R2216	7030003640	S.RES ERJ3GEYJ 473 V (47K)	
R2217	7030003640	S.RES ERJ3GEYJ 473 V (47K)	
R2218	7030003560	S.RES ERJ3GEYJ 103 V (10K)	
R2219	7030003290	S.RES ERJ3GEYJ 560 V (56)	
R2220	7310005150	S.TRI RH03ADCJ5X (220K) 1	
R2221	7030003600	S.RES ERJ3GEYJ 223 V (22K)	
R2222	7030003540	S.RES ERJ3GEYJ 682 V (6.8K)	
R2223	7030003540	S.RES ERJ3GEYJ 682 V (6.8K)	
R2224	7030003520	S.RES ERJ3GEYJ 472 V (4.7K)	
R2225	7030003360	S.RES ERJ3GEYJ 221 V (220)	
R2300	7030003410	S.RES ERJ3GEYJ 561 V (560)	
R2301	7030003440	S.RES ERJ3GEYJ 102 V (1K)	
R2302	7030003640	S.RES ERJ3GEYJ 473 V (47K)	
R2303	7310005050	S.TRI RH03ADC3X (4.7K) 1	
R2304	7030003640	S.RES ERJ3GEYJ 473 V (47K)	
R2305	7030003440	S.RES ERJ3GEYJ 102 V (1K)	
R2306	7030003380	S.RES ERJ3GEYJ 331 V (330)	
R2307	7030003520	S.RES ERJ3GEYJ 472 V (4.7K)	
R2308	7510001500	S.THE NTCG10 4BH 332JT	
R2310	7030003440	S.RES ERJ3GEYJ 102 V (1K)	
R2312	7030003520	S.RES ERJ3GEYJ 472 V (4.7K)	
R2313	7030003560	S.RES ERJ3GEYJ 103 V (10K)	
R2317	7030003440	S.RES ERJ3GEYJ 102 V (1K)	
R2318	7030003410	S.RES ERJ3GEYJ 561 V (560)	
R2319	7030003410	S.RES ERJ3GEYJ 561 V (560)	
R2320	7030003550	S.RES ERJ3GEYJ 822 V (8.2K)	
R2321	7310005150	S.TRI RH03ADCJ5X (220K) 1	
R2352	7030003650	S.RES ERJ3GEYJ 563 V (56K)	
R2353	7030003640	S.RES ERJ3GEYJ 473 V (47K)	
R2381	7030003680	S.RES ERJ3GEYJ 104 V (100K)	

M.=Mounted side (T: Mounted on the Top side, B: Mounted on the Bottom side) S.=Surface mount

[MAIN UNIT]

REF NO.	ORDER NO.	DESCRIPTION
R2382	7030003760	S.RES ERJ3GEYJ 474 V (470K)
R2383	7030003600	S.RES ERJ3GEYJ 223 V (22K)
R2384	7030003440	S.RES ERJ3GEYJ 102 V (1K)
R2385	7310005020	S.TRI RH03ADC14X (10K) 1
R2386	7030003560	S.RES ERJ3GEYJ 103 V (10K)
R2387	7030003560	S.RES ERJ3GEYJ 103 V (10K)
R2401	7030003680	S.RES ERJ3GEYJ 104 V (100K)
R2402	7030003680	S.RES ERJ3GEYJ 104 V (100K)
R2403	7030003640	S.RES ERJ3GEYJ 473 V (47K)
R2406	7030003520	S.RES ERJ3GEYJ 472 V (4.7K)
R2407	7030003520	S.RES ERJ3GEYJ 472 V (4.7K)
R2607	7030003680	S.RES ERJ3GEYJ 104 V (100K)
R2701	7310005050	S.TRI RH03ADCS3X (4.7K) 1
R2702	7030003400	S.RES ERJ3GEYJ 471 V (470)
R2703	7030003680	S.RES ERJ3GEYJ 104 V (100K)
R2704	7030003680	S.RES ERJ3GEYJ 104 V (100K)
R2705	7030003520	S.RES ERJ3GEYJ 472 V (4.7K)
R2706	7030003520	S.RES ERJ3GEYJ 472 V (4.7K)
R2707	7030003320	S.RES ERJ3GEYJ 101 V (100)
R2708	7030003610	S.RES ERJ3GEYJ 273 V (27K)
R2709	7030003480	S.RES ERJ3GEYJ 222 V (2.2K)
R2710	7030003550	S.RES ERJ3GEYJ 822 V (8.2K)
R2720	7030003560	S.RES ERJ3GEYJ 103 V (10K)
R2721	7030003410	S.RES ERJ3GEYJ 561 V (560)
R2722	7030003640	S.RES ERJ3GEYJ 473 V (47K)
R2803	7030003560	S.RES ERJ3GEYJ 103 V (10K)
R2804	7030003560	S.RES ERJ3GEYJ 103 V (10K)
R2805	7030003440	S.RES ERJ3GEYJ 102 V (1K)
R2901	7030003400	S.RES ERJ3GEYJ 471 V (470)
R2902	7030004040	S.RES ERJ3GEYJ 4R7 V (4.7)
R2903	7030008000	S.RES ERJ1WYJ3R3U (3.3)0
R3001	7030003640	S.RES ERJ3GEYJ 473 V (47K)
R3002	7030003640	S.RES ERJ3GEYJ 473 V (47K)
R3003	7030003640	S.RES ERJ3GEYJ 473 V (47K)
R3004	7030003640	S.RES ERJ3GEYJ 473 V (47K)
R3005	7030003640	S.RES ERJ3GEYJ 473 V (47K)
R3006	7030003640	S.RES ERJ3GEYJ 473 V (47K)
R3007	7030003640	S.RES ERJ3GEYJ 473 V (47K)
R3008	7030003640	S.RES ERJ3GEYJ 473 V (47K)
R3009	7030003640	S.RES ERJ3GEYJ 473 V (47K)
R3010	7030003640	S.RES ERJ3GEYJ 473 V (47K)
R3011	7030003360	S.RES ERJ3GEYJ 221 V (220)
R3012	7030003360	S.RES ERJ3GEYJ 221 V (220)
R3013	7030003360	S.RES ERJ3GEYJ 221 V (220)
R3101	7030003520	S.RES ERJ3GEYJ 472 V (4.7K)
R3102	7030003520	S.RES ERJ3GEYJ 472 V (4.7K)
R3201	7030003680	S.RES ERJ3GEYJ 104 V (100K)
R3202	7030003680	S.RES ERJ3GEYJ 104 V (100K)
R3203	7030003400	S.RES ERJ3GEYJ 471 V (470)
R3302	7030007661	S.RES ERA3YED 331V (330)
	7030007661	S.RES ERA3YED 331V (330)
	7030007661	S.RES ERA3YED 331V (330)
	7030007661	S.RES ERA3YED 331V (330)
	7030007660	S.RES RR0816P-331-D (330)0
	7030007660	S.RES RR0816P-331-D (330)0
R3303	7030006521	S.RES ERA3YED 561V (560)
	7030006521	S.RES ERA3YED 561V (560)
	7030006521	S.RES ERA3YED 561V (560)
	7030006521	S.RES ERA3YED 561V (560)
	7030006520	S.RES RR0816P-561-D (560)0
	7030006520	S.RES RR0816P-561-D (560)0
R3501	7030003350	S.RES ERJ3GEYJ 181 V (180)
R3502	7030003350	S.RES ERJ3GEYJ 181 V (180)
R3503	7030003560	S.RES ERJ3GEYJ 103 V (10K)
R3504	7030003680	S.RES ERJ3GEYJ 104 V (100K)
R3505	7030003320	S.RES ERJ3GEYJ 101 V (100)
R3506	7030003320	S.RES ERJ3GEYJ 101 V (100)
R3601	7030003440	S.RES ERJ3GEYJ 102 V (1K)
R3602	7030003740	S.RES ERJ3GEYJ 334 V (330K)
R3603	7030003680	S.RES ERJ3GEYJ 104 V (100K)
R3701	7030003520	S.RES ERJ3GEYJ 472 V (4.7K)
R3702	7030003400	S.RES ERJ3GEYJ 471 V (470)
R3703	7310005140	S.TRI RH03ADCJ3X (2.2K) 1
R3704	7030003440	S.RES ERJ3GEYJ 102 V (1K)
R4001	7030004040	S.RES ERJ3GEYJ 4R7 V (4.7)
R4002	7030004040	S.RES ERJ3GEYJ 4R7 V (4.7)
R4003	7030004040	S.RES ERJ3GEYJ 4R7 V (4.7)
R4004	7030004040	S.RES ERJ3GEYJ 4R7 V (4.7)
R4005	7030004040	S.RES ERJ3GEYJ 4R7 V (4.7)
R4006	7030004040	S.RES ERJ3GEYJ 4R7 V (4.7)
R4007	7030004040	S.RES ERJ3GEYJ 4R7 V (4.7)
R4101	7030003440	S.RES ERJ3GEYJ 102 V (1K)
R4102	7030003320	S.RES ERJ3GEYJ 101 V (100)
R4201	7030003440	S.RES ERJ3GEYJ 102 V (1K)
R4202	7030003440	S.RES ERJ3GEYJ 102 V (1K)
R4203	7030003440	S.RES ERJ3GEYJ 102 V (1K)
R4204	7030003440	S.RES ERJ3GEYJ 102 V (1K)
R4205	7030003440	S.RES ERJ3GEYJ 102 V (1K)
R4206	7030003440	S.RES ERJ3GEYJ 102 V (1K)
R4207	7030003440	S.RES ERJ3GEYJ 102 V (1K)
R4208	7030003440	S.RES ERJ3GEYJ 102 V (1K)
R4209	7030003440	S.RES ERJ3GEYJ 102 V (1K)
R4210	7030003440	S.RES ERJ3GEYJ 102 V (1K)
R4211	7030003440	S.RES ERJ3GEYJ 102 V (1K)
R4213	7030003440	S.RES ERJ3GEYJ 102 V (1K)
R4214	7030003440	S.RES ERJ3GEYJ 102 V (1K)
R4215	7030003440	S.RES ERJ3GEYJ 102 V (1K)
R4217	7030003440	S.RES ERJ3GEYJ 102 V (1K)
R4218	7030003440	S.RES ERJ3GEYJ 102 V (1K)

[OHT]
[OHT-1]
[OHT-2]
[OHT-3]
[CHN]
[CHN-01]
[OHT]
[OHT-1]
[OHT-2]
[OHT-3]
[CHN]
[CHN-01]

[MAIN UNIT]

REF NO.	ORDER NO.	DESCRIPTION
R4219	7030003440	S.RES ERJ3GEYJ 102 V (1K)
R4220	7030003440	S.RES ERJ3GEYJ 102 V (1K)
R4221	7030003440	S.RES ERJ3GEYJ 102 V (1K)
R4222	7030003440	S.RES ERJ3GEYJ 102 V (1K)
R4223	7030003440	S.RES ERJ3GEYJ 102 V (1K)
R4224	7030003510	S.RES ERJ3GEYJ 392 V (3.9K)
R4225	7030003440	S.RES ERJ3GEYJ 102 V (1K)
R4226	7030003440	S.RES ERJ3GEYJ 102 V (1K)
R4227	7030003560	S.RES ERJ3GEYJ 103 V (10K)
R5551	7030003440	S.RES ERJ3GEYJ 102 V (1K)
R5552	7030003510	S.RES ERJ3GEYJ 392 V (3.9K)
R5601	7030003640	S.RES ERJ3GEYJ 473 V (47K)
R5602	7030003640	S.RES ERJ3GEYJ 473 V (47K)
R5603	7030003640	S.RES ERJ3GEYJ 473 V (47K)
R5604	7030003640	S.RES ERJ3GEYJ 473 V (47K)
R5606	7030003440	S.RES ERJ3GEYJ 102 V (1K)
W801	7030003860	S.RES ERJ3GE JPW V
W1202	7030003860	S.RES ERJ3GE JPW V
W1311	7030003860	S.RES ERJ3GE JPW V
W1726	7030003860	S.RES ERJ3GE JPW V
W2101	7030003860	S.RES ERJ3GE JPW V
W2201	7030003860	S.RES ERJ3GE JPW V
W2351	7030003860	S.RES ERJ3GE JPW V
W2603	7030003860	S.RES ERJ3GE JPW V
W3601	7030003860	S.RES ERJ3GE JPW V
W4216	7030003860	S.RES ERJ3GE JPW V
W4401	7030003860	S.RES ERJ3GE JPW V
W4801	7030003860	S.RES ERJ3GE JPW V
W4802	7030003860	S.RES ERJ3GE JPW V
W4803	7030003860	S.RES ERJ3GE JPW V
C1	4030011600	S.CER C1608 JB 1E 104K-T
C2	4030011600	S.CER C1608 JB 1E 104K-T
C3	4030011600	S.CER C1608 JB 1E 104K-T
C4	4030007130	S.CER C1608 CH 1H 101J-T
C5	4030007120	S.CER C1608 CH 1H 820J-T
C100	4030007120	S.CER C1608 CH 1H 820J-T
C101	4030007110	S.CER C1608 CH 1H 680J-T
C102	4030007090	S.CER C1608 CH 1H 470J-T
C103	4030007150	S.CER C1608 CH 1H 151J-T
C104	4030007050	S.CER C1608 CH 1H 220J-T
C105	4030007120	S.CER C1608 CH 1H 820J-T
C106	4030008650	S.CER C1608 JB 1H 332K-T
C107	4030008470	S.CER C1608 JB 1H 272K-T
C108	4030011600	S.CER C1608 JB 1E 104K-T
C109	4030011600	S.CER C1608 JB 1E 104K-T
C110	4030011600	S.CER C1608 JB 1E 104K-T
C111	4030006980	S.CER C1608 CH 1H 070D-T
C112	4030011600	S.CER C1608 JB 1E 104K-T
C113	4030007010	S.CER C1608 CH 1H 100D-T
C151	4030006880	S.CER C1608 JB 1H 472K-T
C152	4030008250	S.CER C1608 UJ 1H 120J-T
C153	4030006880	S.CER C1608 JB 1H 472K-T
C154	4030006880	S.CER C1608 JB 1H 472K-T
C155	4030006880	S.CER C1608 JB 1H 472K-T
C156	4030006880	S.CER C1608 JB 1H 472K-T
C157	4030006880	S.CER C1608 JB 1H 472K-T
C158	4030006880	S.CER C1608 JB 1H 472K-T
C201	4030011340	S.CER C1608 CH 1H 471J-T
C202	4030006880	S.CER C1608 JB 1H 472K-T
C203	4030011600	S.CER C1608 JB 1E 104K-T
C204	4030006880	S.CER C1608 JB 1H 472K-T
C205	4030006880	S.CER C1608 JB 1H 472K-T
C206	4030007170	S.CER C1608 CH 1H 221J-T
C301	4030006880	S.CER C1608 JB 1H 472K-T
C302	4030006970	S.CER C1608 CH 1H 060D-T
C303	4030006970	S.CER C1608 CH 1H 060D-T
C304	4030006970	S.CER C1608 CH 1H 060D-T
C305	4030006880	S.CER C1608 JB 1H 472K-T
C306	4030006880	S.CER C1608 JB 1H 472K-T
C307	4030006880	S.CER C1608 JB 1H 472K-T
C401	4030011340	S.CER C1608 CH 1H 471J-T
C501	4030006880	S.CER C1608 JB 1H 472K-T
C502	4030006880	S.CER C1608 JB 1H 472K-T
C503	4510008560	S.ELE EEE1HAR47SR
C504	4030006880	S.CER C1608 JB 1H 472K-T
C506	4510008520	S.ELE EEE1CA470SP
C507	4030011600	S.CER C1608 JB 1E 104K-T
C508	4030011600	S.CER C1608 JB 1E 104K-T
C509	4030006880	S.CER C1608 JB 1H 472K-T
C510	4510008550	S.ELE EEE1HA010SR
C511	4510004990	ELE 16 ME 100 HC
C601	4030011600	S.CER C1608 JB 1E 104K-T
C602	4030011600	S.CER C1608 JB 1E 104K-T
C603	4030011600	S.CER C1608 JB 1E 104K-T
C611	4030011600	S.CER C1608 JB 1E 104K-T
C612	4030011600	S.CER C1608 JB 1E 104K-T
C621	4030011600	S.CER C1608 JB 1E 104K-T
C622	4030011600	S.CER C1608 JB 1E 104K-T
C631	4030011600	S.CER C1608 JB 1E 104K-T
C632	4030011600	S.CER C1608 JB 1E 104K-T
C633	4030011600	S.CER C1608 JB 1E 104K-T
C701	4030011600	S.CER C1608 JB 1E 104K-T
C702	4030011600	S.CER C1608 JB 1E 104K-T
C703	4030011600	S.CER C1608 JB 1E 104K-T
C704	4030011600	S.CER C1608 JB 1E 104K-T

M.=Mounted side (T: Mounted on the Top side, B: Mounted on the Bottom side)
S.=Surface mount

[MAIN UNIT]

REF NO.	ORDER NO.	DESCRIPTION
C801	4030011600	S.CER C1608 JB 1E 104K-T
C802	4030011600	S.CER C1608 JB 1E 104K-T
C803	4030006880	S.CER C1608 JB 1H 472K-T
C811	4030011600	S.CER C1608 JB 1E 104K-T
C812	4030008920	S.CER C1608 JB 1H 473K-T
C813	4030009980	S.CER C1608 JB 1H 152K-T
C814	4030006880	S.CER C1608 JB 1H 472K-T
C815	4030008470	S.CER C1608 JB 1H 272K-T
C816	4030011600	S.CER C1608 JB 1E 104K-T
C817	4030006880	S.CER C1608 JB 1H 472K-T
C821	4510008550	S.ELE EEE1HA010SR
C822	4030008470	S.CER C1608 JB 1H 272K-T
C823	4030007170	S.CER C1608 CH 1H 221J-T
C824	4030006870	S.CER C1608 JB 1H 222K-T
C831	4030011600	S.CER C1608 JB 1E 104K-T
C832	4030009970	S.CER C1608 JB 1H 182K-T
C833	4030011280	S.CER C1608 CH 1H 271J-T
C834	4030006860	S.CER C1608 JB 1H 102K-T
C837	4030008470	S.CER C1608 JB 1H 272K-T
C838	4030008850	S.CER C1608 JB 1H 123K-T
C839	4030009980	S.CER C1608 JB 1H 152K-T
C840	4030011600	S.CER C1608 JB 1E 104K-T
C841	4030011600	S.CER C1608 JB 1E 104K-T
C842	4030010020	S.CER C1608 JB 1H 122K-T
C843	4030007100	S.CER C1608 CH 1H 560J-T
C844	4030009580	S.CER C1608 JB 1H 681K-T
C845	4030010040	S.CER C1608 JB 1H 561K-T
C846	4030007150	S.CER C1608 CH 1H 151J-T
C851	4030011600	S.CER C1608 JB 1E 104K-T
C852	4030011340	S.CER C1608 CH 1H 471J-T
C853	4030007110	S.CER C1608 CH 1H 680J-T
C854	4030011280	S.CER C1608 CH 1H 271J-T
C855	4030010020	S.CER C1608 JB 1H 122K-T
C856	4030008770	S.CER C1608 JB 1H 562K-T
C857	4030009580	S.CER C1608 JB 1H 681K-T
C858	4030011600	S.CER C1608 JB 1E 104K-T
C861	4030011600	S.CER C1608 JB 1E 104K-T
C862	4030010760	S.CER C1608 CH 1H 331J-T
C863	4030007100	S.CER C1608 CH 1H 560J-T
C864	4030010760	S.CER C1608 CH 1H 331J-T
C865	4030009580	S.CER C1608 JB 1H 681K-T
C866	4030008470	S.CER C1608 JB 1H 272K-T
C867	4030010760	S.CER C1608 CH 1H 331J-T
C868	4030011600	S.CER C1608 JB 1E 104K-T
C871	4030006880	S.CER C1608 JB 1H 472K-T
C872	4030011280	S.CER C1608 CH 1H 271J-T
C873	4030007100	S.CER C1608 CH 1H 560J-T
C874	4030007150	S.CER C1608 CH 1H 151J-T
C875	4030011340	S.CER C1608 CH 1H 471J-T
C876	4030009980	S.CER C1608 JB 1H 152K-T
C877	4030007170	S.CER C1608 CH 1H 221J-T
C878	4030006880	S.CER C1608 JB 1H 472K-T
C881	4030006880	S.CER C1608 JB 1H 472K-T
C882	4030007170	S.CER C1608 CH 1H 221J-T
C883	4030007070	S.CER C1608 CH 1H 330J-T
C884	4030007140	S.CER C1608 CH 1H 121J-T
C885	4030011280	S.CER C1608 CH 1H 271J-T
C886	4030010020	S.CER C1608 JB 1H 122K-T
C887	4030007150	S.CER C1608 CH 1H 151J-T
C888	4030006880	S.CER C1608 JB 1H 472K-T
C891	4030006880	S.CER C1608 JB 1H 472K-T
C892	4030007140	S.CER C1608 CH 1H 121J-T
C893	4030007080	S.CER C1608 CH 1H 390J-T
C894	4030007110	S.CER C1608 CH 1H 680J-T
C895	4030007170	S.CER C1608 CH 1H 221J-T
C896	4030009490	S.CER C1608 JB 1H 821K-T
C897	4030007130	S.CER C1608 CH 1H 101J-T
C898	4030006880	S.CER C1608 JB 1H 472K-T
C899	4030007070	S.CER C1608 CH 1H 330J-T
C901	4030011600	S.CER C1608 JB 1E 104K-T
C902	4030011600	S.CER C1608 JB 1E 104K-T
C904	4030011600	S.CER C1608 JB 1E 104K-T
C905	4030007150	S.CER C1608 CH 1H 151J-T
C906	4030007010	S.CER C1608 CH 1H 100D-T
C907	4030007120	S.CER C1608 CH 1H 820J-T
C1001	4030011600	S.CER C1608 JB 1E 104K-T
C1101	4030006880	S.CER C1608 JB 1H 472K-T
C1102	4030011600	S.CER C1608 JB 1E 104K-T
C1103	4030011600	S.CER C1608 JB 1E 104K-T
C1104	4030006940	S.CER C1608 CH 1H 030C-T
C1106	4030006880	S.CER C1608 JB 1H 472K-T
C1108	4030011600	S.CER C1608 JB 1E 104K-T
C1201	4030006880	S.CER C1608 JB 1H 472K-T
C1202	4030006880	S.CER C1608 JB 1H 472K-T
C1203	4030011600	S.CER C1608 JB 1E 104K-T
C1204	4030006880	S.CER C1608 JB 1H 472K-T
C1205	4030007010	S.CER C1608 CH 1H 100D-T
C1206	4030006880	S.CER C1608 JB 1H 472K-T
C1207	4030006880	S.CER C1608 JB 1H 472K-T
C1208	4030007010	S.CER C1608 CH 1H 100D-T
C1209	4030006880	S.CER C1608 JB 1H 472K-T
C1301	4030011600	S.CER C1608 JB 1E 104K-T
C1305	4030011600	S.CER C1608 JB 1E 104K-T
C1307	4030011600	S.CER C1608 JB 1E 104K-T
C1308	4030011600	S.CER C1608 JB 1E 104K-T
C1309	4030011600	S.CER C1608 JB 1E 104K-T
C1310	4030011600	S.CER C1608 JB 1E 104K-T
C1401	4030011600	S.CER C1608 JB 1E 104K-T
C1402	4030011600	S.CER C1608 JB 1E 104K-T

[MAIN UNIT]

REF NO.	ORDER NO.	DESCRIPTION
C1404	4030011600	S.CER C1608 JB 1E 104K-T
C1405	4510008570	S.ELE EEE1CA220SR
C1501	4030011600	S.CER C1608 JB 1E 104K-T
C1502	4030011600	S.CER C1608 JB 1E 104K-T
C1504	4030011600	S.CER C1608 JB 1E 104K-T
C1505	4030011600	S.CER C1608 JB 1E 104K-T
C1507	4030011600	S.CER C1608 JB 1E 104K-T
C1508	4030010760	S.CER C1608 CH 1H 331J-T
C1509	4030011600	S.CER C1608 JB 1E 104K-T
C1510	4030011600	S.CER C1608 JB 1E 104K-T
C1511	4030011340	S.CER C1608 CH 1H 471J-T
C1512	4510008550	S.ELE EEE1HA010SR
C1513	4510008520	S.ELE EEE1CA470SP
C1514	4030011600	S.CER C1608 JB 1E 104K-T
C1515	4030011600	S.CER C1608 JB 1E 104K-T
C1516	4030011600	S.CER C1608 JB 1E 104K-T
C1601	4030011600	S.CER C1608 JB 1E 104K-T
C1602	4030006860	S.CER C1608 JB 1H 102K-T
C1611	4030011600	S.CER C1608 JB 1E 104K-T
C1613	4030011600	S.CER C1608 JB 1E 104K-T
C1615	4510009120	S.ELE EEE1VA2R2NR
C1621	4030011600	S.CER C1608 JB 1E 104K-T
C1623	4030011600	S.CER C1608 JB 1E 104K-T
C1624	4030011600	S.CER C1608 JB 1E 104K-T
C1625	4030011600	S.CER C1608 JB 1E 104K-T
C1631	4030011600	S.CER C1608 JB 1E 104K-T
C1632	4030011600	S.CER C1608 JB 1E 104K-T
C1701	4030011600	S.CER C1608 JB 1E 104K-T
C1702	4030011600	S.CER C1608 JB 1E 104K-T
C1704	4030006880	S.CER C1608 JB 1H 472K-T
C1706	4510009120	S.ELE EEE1VA2R2NR
C1707	4030019460	S.CER C1608 JB 0J 106M-T
C1708	4030011600	S.CER C1608 JB 1E 104K-T
C1751	4030011600	S.CER C1608 JB 1E 104K-T
C1752	4030011600	S.CER C1608 JB 1E 104K-T
C1801	4030006880	S.CER C1608 JB 1H 472K-T
C1802	4510009120	S.ELE EEE1VA2R2NR
C1803	4510008550	S.ELE EEE1HA010SR
C1804	4030011600	S.CER C1608 JB 1E 104K-T
C1805	4510008560	S.ELE EEE1HAR47SR
C1812	4030007130	S.CER C1608 CH 1H 101J-T
C1813	4030006880	S.CER C1608 JB 1H 472K-T
C1814	4510008540	S.ELE EEE1CA100SR
C1815	4030007150	S.CER C1608 CH 1H 151J-T
C1901	4550006390	S.TAN TEESVA 1C 335M8R
C1902	4030006880	S.CER C1608 JB 1H 472K-T
C1903	4030006880	S.CER C1608 JB 1H 472K-T
C1904	4030011600	S.CER C1608 JB 1E 104K-T
C1905	4030006880	S.CER C1608 JB 1H 472K-T
C2001	4030011600	S.CER C1608 JB 1E 104K-T
C2002	4030007130	S.CER C1608 CH 1H 101J-T
C2003	4030011600	S.CER C1608 JB 1E 104K-T
C2004	4030011600	S.CER C1608 JB 1E 104K-T
C2005	4510008550	S.ELE EEE1HA010SR
C2006	4030006880	S.CER C1608 JB 1H 472K-T
C2007	4030011600	S.CER C1608 JB 1E 104K-T
C2008	4030011600	S.CER C1608 JB 1E 104K-T
C2009	4510008540	S.ELE EEE1CA100SR
C2010	4030011600	S.CER C1608 JB 1E 104K-T
C2101	4510008550	S.ELE EEE1HA010SR
C2102	4030011600	S.CER C1608 JB 1E 104K-T
C2103	4030011600	S.CER C1608 JB 1E 104K-T
C2104	4030006870	S.CER C1608 JB 1H 222K-T
C2105	4030006870	S.CER C1608 JB 1H 222K-T
C2107	4030011600	S.CER C1608 JB 1E 104K-T
C2201	4510008520	S.ELE EEE1CA470SP
C2202	4030011600	S.CER C1608 JB 1E 104K-T
C2203	4030011600	S.CER C1608 JB 1E 104K-T
C2204	4510008550	S.ELE EEE1HA010SR
C2205	4030007130	S.CER C1608 CH 1H 101J-T
C2206	4030011600	S.CER C1608 JB 1E 104K-T
C2207	4030008920	S.CER C1608 JB 1H 473K-T
C2208	4030011340	S.CER C1608 CH 1H 471J-T
C2209	4510008550	S.ELE EEE1HA010SR
C2210	4030011340	S.CER C1608 CH 1H 471J-T
C2211	4510008540	S.ELE EEE1CA100SR
C2212	4510008540	S.ELE EEE1CA100SR
C2213	4030011600	S.CER C1608 JB 1E 104K-T
C2214	4030011600	S.CER C1608 JB 1E 104K-T
C2215	4510008550	S.ELE EEE1HA010SR
C2216	4030011600	S.CER C1608 JB 1E 104K-T
C2217	4030008910	S.CER C1608 JB 1H 393K-T
C2219	4510008560	S.ELE EEE1HAR47SR
C2301	4030011600	S.CER C1608 JB 1E 104K-T
C2303	4030011600	S.CER C1608 JB 1E 104K-T
C2304	4510008540	S.ELE EEE1CA100SR
C2305	4510008540	S.ELE EEE1CA100SR
C2306	4030011600	S.CER C1608 JB 1E 104K-T
C2309	4030011600	S.CER C1608 JB 1E 104K-T
C2310	4030011600	S.CER C1608 JB 1E 104K-T
C2312	4510008560	S.ELE EEE1HAR47SR
C2313	4030011600	S.CER C1608 JB 1E 104K-T
C2314	4030011600	S.CER C1608 JB 1E 104K-T
C2315	4510008560	S.ELE EEE1HAR47SR
C2352	4030006870	S.CER C1608 JB 1H 222K-T
C2353	4030011330	S.CER C1608 CH 1H 391J-T
C2354	4510008540	S.ELE EEE1CA100SR
C2380	4030011600	S.CER C1608 JB 1E 104K-T
C2381	4510008540	S.ELE EEE1CA100SR

M.=Mounted side (T: Mounted on the Top side, B: Mounted on the Bottom side)
S.=Surface mount

[MAIN UNIT]

REF NO.	ORDER NO.	DESCRIPTION
C2382	4030011600	S.CER C1608 JB 1E 104K-T
C2383	4510008540	S.ELE EEE1CA100SR
C2384	4510008550	S.ELE EEE1HA010SR
C2401	4030006880	S.CER C1608 JB 1H 472K-T
C2402	4030006880	S.CER C1608 JB 1H 472K-T
C2403	4030006860	S.CER C1608 JB 1H 102K-T
C2405	4030011600	S.CER C1608 JB 1E 104K-T
C2501	4030011600	S.CER C1608 JB 1E 104K-T
C2601	4030011600	S.CER C1608 JB 1E 104K-T
C2602	4550006390	S.TAN TEESVA 1C 335M8R
C2701	4510008540	S.ELE EEE1CA100SR
C2702	4030010760	S.CER C1608 CH 1H 331J-T
C2703	4510008540	S.ELE EEE1CA100SR
C2704	4510008540	S.ELE EEE1CA100SR
C2705	4510008540	S.ELE EEE1CA100SR
C2706	4510008540	S.ELE EEE1CA100SR
C2708	4510008540	S.ELE EEE1CA100SR
C2709	4510008540	S.ELE EEE1CA100SR
C2710	4510009120	S.ELE EEE1VA2R2NR
C2720	4030011600	S.CER C1608 JB 1E 104K-T
C2721	4510004990	ELE 16 ME 100 HC
C2722	4510008520	S.ELE EEE1CA470SP
C2723	4510008520	S.ELE EEE1CA470SP
C2801	4030011600	S.CER C1608 JB 1E 104K-T
C2901	4030008920	S.CER C1608 JB 1H 473K-T
C2902	4510008540	S.ELE EEE1CA100SR
C2903	4030011600	S.CER C1608 JB 1E 104K-T
C2904	4030011600	S.CER C1608 JB 1E 104K-T
C2905	4510004601	ELE 16 ME 1000 HC
C2906	4510004591	ELE 16 ME 470 HC
C2907	4030011600	S.CER C1608 JB 1E 104K-T
C3001	4030011600	S.CER C1608 JB 1E 104K-T
C3002	4030011600	S.CER C1608 JB 1E 104K-T
C3003	4030011600	S.CER C1608 JB 1E 104K-T
C3004	4030011600	S.CER C1608 JB 1E 104K-T
C3005	4030011600	S.CER C1608 JB 1E 104K-T
C3006	4510004591	ELE 16 ME 470 HC
C3007	4510004591	ELE 16 ME 470 HC
C3101	4030011600	S.CER C1608 JB 1E 104K-T
C3301	4030011600	S.CER C1608 JB 1E 104K-T
C3302	4030011600	S.CER C1608 JB 1E 104K-T
C3401	4510004990	ELE 16 ME 100 HC
C3402	4030011600	S.CER C1608 JB 1E 104K-T
C3403	4030011600	S.CER C1608 JB 1E 104K-T
C3404	4510004990	ELE 16 ME 100 HC
C3501	4510008520	S.ELE EEE1CA470SP
C3502	4030011600	S.CER C1608 JB 1E 104K-T
C3503	4510008570	S.ELE EEE1CA220SR
C3504	4030011600	S.CER C1608 JB 1E 104K-T
C3505	4030006880	S.CER C1608 JB 1H 472K-T
C3506	4030011600	S.CER C1608 JB 1E 104K-T
C3507	4510008520	S.ELE EEE1CA470SP
C3508	4510008520	S.ELE EEE1CA470SP
C3509	4030011600	S.CER C1608 JB 1E 104K-T
C3510	4510008540	S.ELE EEE1CA100SR
C3511	4030011600	S.CER C1608 JB 1E 104K-T
C3512	4510008520	S.ELE EEE1CA470SP
C3513	4030011600	S.CER C1608 JB 1E 104K-T
C3601	4510008540	S.ELE EEE1CA100SR
C3602	4030011600	S.CER C1608 JB 1E 104K-T
C3702	4550006390	S.TAN TEESVA 1C 335M8R
C3801	4030006880	S.CER C1608 JB 1H 472K-T
C4003	4030011600	S.CER C1608 JB 1E 104K-T
C4005	4030011600	S.CER C1608 JB 1E 104K-T
C4006	4030011600	S.CER C1608 JB 1E 104K-T
C4007	4030011600	S.CER C1608 JB 1E 104K-T
C4008	4030011600	S.CER C1608 JB 1E 104K-T
C4009	4030011600	S.CER C1608 JB 1E 104K-T
C4101	4030006880	S.CER C1608 JB 1H 472K-T
C4102	4030006880	S.CER C1608 JB 1H 472K-T
C4103	4030006880	S.CER C1608 JB 1H 472K-T
C4104	4030006880	S.CER C1608 JB 1H 472K-T
C4105	4030006880	S.CER C1608 JB 1H 472K-T
C4106	4030006880	S.CER C1608 JB 1H 472K-T
C4107	4030006880	S.CER C1608 JB 1H 472K-T
C4200	4030006880	S.CER C1608 JB 1H 472K-T
C4201	4030007090	S.CER C1608 CH 1H 470J-T
C4202	4030007090	S.CER C1608 CH 1H 470J-T
C4203	4030007090	S.CER C1608 CH 1H 470J-T
C4204	4030007090	S.CER C1608 CH 1H 470J-T
C4205	4030007090	S.CER C1608 CH 1H 470J-T
C4206	4030007090	S.CER C1608 CH 1H 470J-T
C4207	4030007090	S.CER C1608 CH 1H 470J-T
C4208	4030007090	S.CER C1608 CH 1H 470J-T
C4209	4030007090	S.CER C1608 CH 1H 470J-T
C4210	4030007090	S.CER C1608 CH 1H 470J-T
C4211	4030006880	S.CER C1608 JB 1H 472K-T
C4212	4030006880	S.CER C1608 JB 1H 472K-T
C4213	4030006880	S.CER C1608 JB 1H 472K-T
C4214	4030006880	S.CER C1608 JB 1H 472K-T
C4215	4030006880	S.CER C1608 JB 1H 472K-T
C4216	4030006880	S.CER C1608 JB 1H 472K-T
C4217	4030006880	S.CER C1608 JB 1H 472K-T
C4218	4030006880	S.CER C1608 JB 1H 472K-T
C4219	4030006880	S.CER C1608 JB 1H 472K-T
C4220	4030011600	S.CER C1608 JB 1E 104K-T
C4221	4030006880	S.CER C1608 JB 1H 472K-T
C4222	4030006880	S.CER C1608 JB 1H 472K-T
C4223	4030006880	S.CER C1608 JB 1H 472K-T

[MAIN UNIT]

REF NO.	ORDER NO.	DESCRIPTION
C4224	4030006880	S.CER C1608 JB 1H 472K-T
C4225	4030006880	S.CER C1608 JB 1H 472K-T
C4226	4030006880	S.CER C1608 JB 1H 472K-T
C4227	4030011600	S.CER C1608 JB 1E 104K-T
C4401	4030006880	S.CER C1608 JB 1H 472K-T
C4402	4030006880	S.CER C1608 JB 1H 472K-T
C4403	4030006880	S.CER C1608 JB 1H 472K-T
C4404	4030006880	S.CER C1608 JB 1H 472K-T
C4405	4030006880	S.CER C1608 JB 1H 472K-T
C4407	4030006880	S.CER C1608 JB 1H 472K-T
C4408	4030006880	S.CER C1608 JB 1H 472K-T
C4409	4030006880	S.CER C1608 JB 1H 472K-T
C4410	4030006880	S.CER C1608 JB 1H 472K-T
C4411	4030006880	S.CER C1608 JB 1H 472K-T
C4412	4030006880	S.CER C1608 JB 1H 472K-T
C4413	4030006880	S.CER C1608 JB 1H 472K-T
C4414	4030006880	S.CER C1608 JB 1H 472K-T
C4415	4030011600	S.CER C1608 JB 1E 104K-T
C4416	4030006880	S.CER C1608 JB 1H 472K-T
C4417	4030006860	S.CER C1608 JB 1H 102K-T
C4501	4030006880	S.CER C1608 JB 1H 472K-T
C4502	4030006860	S.CER C1608 JB 1H 102K-T
C4648	4030006880	S.CER C1608 JB 1H 472K-T
C4651	4030006880	S.CER C1608 JB 1H 472K-T
C4653	4030006880	S.CER C1608 JB 1H 472K-T
C4654	4030006880	S.CER C1608 JB 1H 472K-T
C4655	4030006880	S.CER C1608 JB 1H 472K-T
C4656	4030006880	S.CER C1608 JB 1H 472K-T
C4659	4030006880	S.CER C1608 JB 1H 472K-T
C4660	4030006880	S.CER C1608 JB 1H 472K-T
C4661	4030006880	S.CER C1608 JB 1H 472K-T
C4662	4030006880	S.CER C1608 JB 1H 472K-T
C4801	4030006880	S.CER C1608 JB 1H 472K-T
C4802	4030006880	S.CER C1608 JB 1H 472K-T
C4803	4030006880	S.CER C1608 JB 1H 472K-T
C5001	4030006860	S.CER C1608 JB 1H 102K-T
C5101	4030006880	S.CER C1608 JB 1H 472K-T
C5102	4030006880	S.CER C1608 JB 1H 472K-T
C5601	4030011600	S.CER C1608 JB 1E 104K-T
C5602	4030011600	S.CER C1608 JB 1E 104K-T
C5604	4510009120	S.ELE EEE1VA2R2NR
RL4801	6330001320	REL AHY103
J1	6510007020	CON TMP-J01X-V6
J201	6510018961	S.CON B2B-PH-SM4-TB(LF)(SN)
J401	6510018961	S.CON B2B-PH-SM4-TB(LF)(SN)
J701	6510007020	CON TMP-J01X-V6
J2001	6510018961	S.CON B2B-PH-SM4-TB(LF)(SN)
J3601	6510003391	CON B03B-EH-S(LF)(SN)
J4001	6510022621	S.CON 10FMN-BMTRR-A-TBT(LF)(SN)
J4101	6510022611	S.CON 16FMN-BMTRR-A-TBT(LF)(SN)
J4201	6510021721	S.CON 30FLT-SM2-TB(LF)(SN) 2
J4401	6510021721	S.CON 30FLT-SM2-TB(LF)(SN) 2
J4501	6450000140	CON HSJ0807-01-010
J4502	6510018961	S.CON B2B-PH-SM4-TB(LF)(SN)
J4651	6510024661	CON TCS5072-1041577
J4801	6450001130	CON JPJ2042-01-110
J5001	6450000140	CON HSJ0807-01-010
J5101	6450001791	CON HLJ7000-016010 2
EP4801	6910012350	S.BEA MMZ1608Y 102BT

M.=Mounted side (T: Mounted on the Top side, B: Mounted on the Bottom side)
S.=Surface mount

[PLL UNIT]

REF NO.	ORDER NO.	DESCRIPTION	
WS1	8970023890		SX2241 0.8DA (1)/PL
WS2	8970023630		SX2242 (1)/PL
WS3	8970023900		SX2241 0.8DB (1)/PL
IC1	1180001071	S.IC	TA7805F(TE16L,Q)
IC2	1140004550	S.IC	M65343FP/SC1287 1
IC6	1140007881	S.IC	TC190G08EFG0046JDZ/SC1246A
IC7	1130003611	S.IC	TC45U69F(TE85R,F)
Q9	1530002371	S.TRA	2SC2714-O(TE85R,F)
Q10	1530002371	S.TRA	2SC2714-O(TE85R,F)
Q11	1530002371	S.TRA	2SC2714-O(TE85R,F)
Q12	1530002060	S.TRA	2SC4081 T106 R
Q18	1560000491	S.FET	2SK508-T2B-A K52
Q26	1530002371	S.TRA	2SC2714-O(TE85R,F)
Q28	1530002371	S.TRA	2SC2714-O(TE85R,F)
Q29	1530002371	S.TRA	2SC2714-O(TE85R,F)
Q30	1530002371	S.TRA	2SC2714-O(TE85R,F)
Q32	1530002371	S.TRA	2SC2714-O(TE85R,F)
Q33	1590000680	S.TRA	DTC114EUA T106
Q34	1530002060	S.TRA	2SC4081 T106 R
Q35	1530002060	S.TRA	2SC4081 T106 R
D4	1720000860	S.VAR	KV1770S G 1-2
	1720000860	S.VAR	KV1770S G 1-2
	1720000831	S.VAR	KV1770STL-G
	1720000831	S.VAR	KV1770STL-G
	1720000831	S.VAR	KV1770STL-G
	1720000860	S.VAR	KV1770S G 1-2
D12	1750000021	S.DIO	1SS184(TE85R,F)
D15	1750000071	S.DIO	1SS226(TE85R,F)
D16	1790001250	S.DIO	MA2S111-(TX)
X1	6050007351	XTA	CR-337A HC-49/U 32.000 MHz
L1	6200009300	S.COI	ELJPA 100KF 10U
L2	6200001831	S.COI	NLV32T-100J
L3	6170000230	COI	LW-25
L4	6150004370	COI	LS-472C (C-15045)
L5	6200001831	S.COI	NLV32T-100J
L6	6150004250	COI	LS-471A (C-14922)
L7	6150004250	COI	LS-471A (C-14922)
L8	6200001831	S.COI	NLV32T-100J
L9	6200003960	S.COI	MLF1608A 1R0K-T
L10	6200003640	S.COI	MLF1608E 100K-T
L12	6200003261	S.COI	NLV32T-101J
L14	6200003131	S.COI	NLV32T-120J
L15	6200003141	S.COI	NLV32T-150J
L19	6190001281	COI	#E544GN-110248
L25	6200001831	S.COI	NLV32T-100J
L26	6170000230	COI	LW-25
L27	6170000230	COI	LW-25
L30	6200001831	S.COI	NLV32T-100J
L32	6200003051	S.COI	NLV32T-R82J
L34	6200003431	S.COI	NLV32T-R10J
L35	6200003421	S.COI	NLV32T-R15J
L36	6200003431	S.COI	NLV32T-R10J
L37	6200003451	S.COI	NLV32T-082J
L38	6200003331	S.COI	NLV32T-1R0J
L39	6200003051	S.COI	NLV32T-R82J
L41	6200001831	S.COI	NLV32T-100J
L42	6200003051	S.COI	NLV32T-R82J
L44	6200003161	S.COI	NLV32T-270J
L45	6200001711	S.COI	NLV32T-220J
L46	6200003151	S.COI	NLV32T-180J
L47	6200001831	S.COI	NLV32T-100J
L48	6200003041	S.COI	NLV32T-R68J
L49	6200004470	S.COI	MLF1608D R12K-T
L50	6200004470	S.COI	MLF1608D R12K-T
R2	7030003320	S.RES	ERJ3GEYJ 101 V (100)
R3	7030003480	S.RES	ERJ3GEYJ 222 V (2.2K)
R4	7030003400	S.RES	ERJ3GEYJ 471 V (470)
R5	7030003320	S.RES	ERJ3GEYJ 101 V (100)
R6	7030003560	S.RES	ERJ3GEYJ 103 V (10K)
R7	7030003360	S.RES	ERJ3GEYJ 221 V (220)
R8	7030003360	S.RES	ERJ3GEYJ 221 V (220)
R9	7030003600	S.RES	ERJ3GEYJ 223 V (22K)
R10	7030003600	S.RES	ERJ3GEYJ 223 V (22K)
R12	7030003580	S.RES	ERJ3GEYJ 153 V (15K)
R13	7030003400	S.RES	ERJ3GEYJ 471 V (470)
R14	7030003520	S.RES	ERJ3GEYJ 472 V (4.7K)
R15	7030003320	S.RES	ERJ3GEYJ 101 V (100)
R16	7030003600	S.RES	ERJ3GEYJ 223 V (22K)
R17	7030003360	S.RES	ERJ3GEYJ 221 V (220)
R18	7030003360	S.RES	ERJ3GEYJ 221 V (220)
R19	7030003360	S.RES	ERJ3GEYJ 221 V (220)
R20	7030003400	S.RES	ERJ3GEYJ 471 V (470)
R21	7030003560	S.RES	ERJ3GEYJ 103 V (10K)
R22	7030003640	S.RES	ERJ3GEYJ 473 V (47K)
R23	7030003560	S.RES	ERJ3GEYJ 103 V (10K)
R24	7030007220	S.RES	ERA3YED 202V (2K)
R25	7030007220	S.RES	ERA3YED 202V (2K)

[OHT]
[OHT-1]
[OHT-2]
[OHT-3]
[CHN]
[CHN-01]

[PLL UNIT]

REF NO.	ORDER NO.	DESCRIPTION	
R26	7030007230	S.RES	ERA3YED 102V (1K)
R27	7030007220	S.RES	ERA3YED 202V (2K)
R28	7030007230	S.RES	ERA3YED 102V (1K)
R29	7030007220	S.RES	ERA3YED 202V (2K)
R30	7030007230	S.RES	ERA3YED 102V (1K)
R31	7030007220	S.RES	ERA3YED 202V (2K)
R32	7030007230	S.RES	ERA3YED 102V (1K)
R33	7030007220	S.RES	ERA3YED 202V (2K)
R34	7030007230	S.RES	ERA3YED 102V (1K)
R35	7030007220	S.RES	ERA3YED 202V (2K)
R36	7030007230	S.RES	ERA3YED 102V (1K)
R37	7030007220	S.RES	ERA3YED 202V (2K)
R38	7030007210	S.RES	ERA3YEB 102V (1K)
R39	7030007200	S.RES	ERA3YEB 202V (2K)
R40	7030007210	S.RES	ERA3YEB 102V (1K)
R41	7030007200	S.RES	ERA3YEB 202V (2K)
R42	7030007210	S.RES	ERA3YEB 102V (1K)
R43	7030007200	S.RES	ERA3YEB 202V (2K)
R44	7030003640	S.RES	ERJ3GEYJ 473 V (47K)
R49	7030003360	S.RES	ERJ3GEYJ 221 V (220)
R51	7030003510	S.RES	ERJ3GEYJ 392 V (3.9K)
R52	7030003420	S.RES	ERJ3GEYJ 681 V (680)
R53	7030003510	S.RES	ERJ3GEYJ 392 V (3.9K)
R57	7030003440	S.RES	ERJ3GEYJ 102 V (1K)
R74	7030003550	S.RES	ERJ3GEYJ 822 V (8.2K)
R75	7030003510	S.RES	ERJ3GEYJ 392 V (3.9K)
R78	7030003320	S.RES	ERJ3GEYJ 101 V (100)
R84	7030003500	S.RES	ERJ3GEYJ 332 V (3.3K)
R85	7030003550	S.RES	ERJ3GEYJ 822 V (8.2K)
R87	7030003320	S.RES	ERJ3GEYJ 101 V (100)
R88	7030003320	S.RES	ERJ3GEYJ 101 V (100)
R89	7030003400	S.RES	ERJ3GEYJ 471 V (470)
R90	7030003400	S.RES	ERJ3GEYJ 471 V (470)
R91	7030003440	S.RES	ERJ3GEYJ 102 V (1K)
R93	7030003440	S.RES	ERJ3GEYJ 102 V (1K)
R94	7030003440	S.RES	ERJ3GEYJ 102 V (1K)
R95	7030003440	S.RES	ERJ3GEYJ 102 V (1K)
R96	7030003440	S.RES	ERJ3GEYJ 102 V (1K)
R97	7030003440	S.RES	ERJ3GEYJ 102 V (1K)
R98	7030003440	S.RES	ERJ3GEYJ 102 V (1K)
R99	7030003440	S.RES	ERJ3GEYJ 102 V (1K)
R102	7030006080	S.RES	ERJ1WYJ220U (220)
R103	7030003640	S.RES	ERJ3GEYJ 473 V (47K)
R104	7030003640	S.RES	ERJ3GEYJ 473 V (47K)
R105	7030003640	S.RES	ERJ3GEYJ 473 V (47K)
R106	7030003640	S.RES	ERJ3GEYJ 473 V (47K)
R107	7030003640	S.RES	ERJ3GEYJ 473 V (47K)
R108	7030003640	S.RES	ERJ3GEYJ 473 V (47K)
R116	7030003320	S.RES	ERJ3GEYJ 101 V (100)
R117	7030003640	S.RES	ERJ3GEYJ 473 V (47K)
R118	7030003280	S.RES	ERJ3GEYJ 470 V (47)
R119	7030003640	S.RES	ERJ3GEYJ 473 V (47K)
R120	7030003640	S.RES	ERJ3GEYJ 473 V (47K)
R121	7030003360	S.RES	ERJ3GEYJ 221 V (220)
R127	7030003480	S.RES	ERJ3GEYJ 222 V (2.2K)
R132	7030007220	S.RES	ERA3YED 202V (2K)
R133	7030007230	S.RES	ERA3YED 102V (1K)
R134	7030007230	S.RES	ERA3YED 102V (1K)
R135	7030007230	S.RES	ERA3YED 102V (1K)
R136	7030007230	S.RES	ERA3YED 102V (1K)
R137	7030007230	S.RES	ERA3YED 102V (1K)
R138	7030007230	S.RES	ERA3YED 102V (1K)
R139	7030007210	S.RES	ERA3YEB 102V (1K)
R140	7030007210	S.RES	ERA3YEB 102V (1K)
R141	7030007210	S.RES	ERA3YEB 102V (1K)
R142	7030007210	S.RES	ERA3YEB 102V (1K)
R143	7030007210	S.RES	ERA3YEB 102V (1K)
R144	7030007220	S.RES	ERA3YED 202V (2K)
R145	7030007220	S.RES	ERA3YED 202V (2K)
R146	7030007220	S.RES	ERA3YED 202V (2K)
R147	7030007220	S.RES	ERA3YED 202V (2K)
R148	7030007220	S.RES	ERA3YED 202V (2K)
R149	7030007220	S.RES	ERA3YED 202V (2K)
R150	7030007200	S.RES	ERA3YEB 202V (2K)
R151	7030007200	S.RES	ERA3YEB 202V (2K)
R152	7030007200	S.RES	ERA3YEB 202V (2K)
R153	7030007200	S.RES	ERA3YEB 202V (2K)
R154	7030007200	S.RES	ERA3YEB 202V (2K)
R155	7030007220	S.RES	ERA3YED 202V (2K)
R156	7030003350	S.RES	ERJ3GEYJ 181 V (180)
R158	7030003320	S.RES	ERJ3GEYJ 101 V (100)
R159	7030003560	S.RES	ERJ3GEYJ 103 V (10K)
R160	7030003560	S.RES	ERJ3GEYJ 103 V (10K)
R161	7030003360	S.RES	ERJ3GEYJ 221 V (220)
R162	7030003430	S.RES	ERJ3GEYJ 821 V (820)
R164	7030003440	S.RES	ERJ3GEYJ 102 V (1K)
R165	7030003800	S.RES	ERJ3GEYJ 105 V (1M)
R166	7030003800	S.RES	ERJ3GEYJ 105 V (1M)
R169	7030003260	S.RES	ERJ3GEYJ 330 V (33)
R171	7030003350	S.RES	ERJ3GEYJ 181 V (180)
R172	7030003350	S.RES	ERJ3GEYJ 181 V (180)
R180	7030003480	S.RES	ERJ3GEYJ 222 V (2.2K)
R181	7030003580	S.RES	ERJ3GEYJ 153 V (15K)
R182	7030003620	S.RES	ERJ3GEYJ 333 V (33K)
R183	7030003520	S.RES	ERJ3GEYJ 472 V (4.7K)
R191	7030003350	S.RES	ERJ3GEYJ 181 V (180)
R192	7030003440	S.RES	ERJ3GEYJ 102 V (1K)
W1	7030003860	S.RES	ERJ3GE JPW V
W7	7030003860	S.RES	ERJ3GE JPW V

M.=Mounted side (T: Mounted on the Top side, B: Mounted on the Bottom side)
S.=Surface mount

[PLL UNIT]

REF NO.	ORDER NO.	DESCRIPTION
W9	7030003860	S.RES ERJ3GE JPW V
W10	7030003860	S.RES ERJ3GE JPW V
W92	7030003860	S.RES ERJ3GE JPW V
W170	7030003860	S.RES ERJ3GE JPW V
C1	4510008500	S.ELE EEE1CA101WP
C2	4550006080	S.TAN TEESVB2 1C 106M8R
C3	4030006880	S.CER C1608 JB 1H 472K-T
C4	4550006080	S.TAN TEESVB2 1C 106M8R
C5	4510008880	S.ELE EEE1VA330WP
C6	4510008540	S.ELE EEE1CA100SR
C7	4030011600	S.CER C1608 JB 1E 104K-T
C8	4510008540	S.ELE EEE1CA100SR
C9	4510008540	S.ELE EEE1CA100SR
C10	4030011600	S.CER C1608 JB 1E 104K-T
C12	4030006880	S.CER C1608 JB 1H 472K-T
C13	4030006880	S.CER C1608 JB 1H 472K-T
C14	4030007150	S.CER C1608 CH 1H 151J-T
C15	4030008330	S.CER C1608 UJ 1H 560J-T
C16	4610002200	S.TRI TZB4R200EB10R00(TZBX4R200BE110
C17	4030006880	S.CER C1608 JB 1H 472K-T
C18	4030007130	S.CER C1608 CH 1H 101J-T
C19	4030006880	S.CER C1608 JB 1H 472K-T
C20	4030007030	S.CER C1608 CH 1H 150J-T
C21	4510008500	S.ELE EEE1CA101WP
C22	4030006880	S.CER C1608 JB 1H 472K-T
C23	4030009500	S.CER C1608 CH 1H 0R5B-T
C24	4030007030	S.CER C1608 CH 1H 150J-T
C25	4030018700	S.CER GRM1882P1H121JZ01D
C26	4030007130	S.CER C1608 CH 1H 101J-T
C27	4030006880	S.CER C1608 JB 1H 472K-T
C28	4030006880	S.CER C1608 JB 1H 472K-T
C29	4030006880	S.CER C1608 JB 1H 472K-T
C30	4030006880	S.CER C1608 JB 1H 472K-T
C31	4030006880	S.CER C1608 JB 1H 472K-T
C32	4030006880	S.CER C1608 JB 1H 472K-T
C33	4510008500	S.ELE EEE1CA101WP
C34	4030006880	S.CER C1608 JB 1H 472K-T
C50	4030007050	S.CER C1608 CH 1H 220J-T
C51	4030006930	S.CER C1608 CH 1H 020C-T
C52	4030007060	S.CER C1608 CH 1H 270J-T
C53	4030009500	S.CER C1608 CH 1H 0R5B-T
C54	4030007050	S.CER C1608 CH 1H 220J-T
C55	4030006880	S.CER C1608 JB 1H 472K-T
C62	4030007130	S.CER C1608 CH 1H 101J-T
C63	4030006880	S.CER C1608 JB 1H 472K-T
C64	4030006880	S.CER C1608 JB 1H 472K-T
C65	4030006920	S.CER C1608 CH 1H 010C-T
C66	4030006880	S.CER C1608 JB 1H 472K-T
C67	4030007130	S.CER C1608 CH 1H 101J-T
C68	4030006860	S.CER C1608 JB 1H 102K-T
C103	4030006880	S.CER C1608 JB 1H 472K-T
C104	4030006880	S.CER C1608 JB 1H 472K-T
C106	4030006880	S.CER C1608 JB 1H 472K-T
C108	4030006880	S.CER C1608 JB 1H 472K-T
C109	4030006880	S.CER C1608 JB 1H 472K-T
C111	4030006860	S.CER C1608 JB 1H 102K-T
C112	4030007100	S.CER C1608 CH 1H 560J-T
C114	4030007080	S.CER C1608 CH 1H 390J-T
C115	4030009650	S.CER C1608 CH 1H 240J-T
C116	4030006990	S.CER C1608 CH 1H 080D-T
C117	4030007070	S.CER C1608 CH 1H 330J-T
C118	4030006880	S.CER C1608 JB 1H 472K-T
C119	4030006860	S.CER C1608 JB 1H 102K-T
C120	4030006880	S.CER C1608 JB 1H 472K-T
C126	4030006880	S.CER C1608 JB 1H 472K-T
C127	4030006860	S.CER C1608 JB 1H 102K-T
C128	4030006880	S.CER C1608 JB 1H 472K-T
C129	4030006880	S.CER C1608 JB 1H 472K-T
C130	4030006860	S.CER C1608 JB 1H 102K-T
C132	4030007130	S.CER C1608 CH 1H 101J-T
C134	4030007100	S.CER C1608 CH 1H 560J-T
C135	4030006950	S.CER C1608 CH 1H 040C-T
C136	4030007020	S.CER C1608 CH 1H 120J-T
C137	4030007110	S.CER C1608 CH 1H 680J-T
C138	4030007100	S.CER C1608 CH 1H 560J-T
C139	4030006880	S.CER C1608 JB 1H 472K-T
C141	4030006880	S.CER C1608 JB 1H 472K-T
C143	4030006880	S.CER C1608 JB 1H 472K-T
C144	4030006880	S.CER C1608 JB 1H 472K-T
C145	4030006880	S.CER C1608 JB 1H 472K-T
C146	4030006880	S.CER C1608 JB 1H 472K-T
C147	4030006880	S.CER C1608 JB 1H 472K-T
C148	4030006880	S.CER C1608 JB 1H 472K-T
C149	4030006880	S.CER C1608 JB 1H 472K-T
C150	4030006880	S.CER C1608 JB 1H 472K-T
C151	4030006880	S.CER C1608 JB 1H 472K-T
C152	4030006880	S.CER C1608 JB 1H 472K-T
C153	4030006880	S.CER C1608 JB 1H 472K-T
C155	4030006880	S.CER C1608 JB 1H 472K-T
C156	4030007050	S.CER C1608 CH 1H 220J-T
C157	4030007080	S.CER C1608 CH 1H 390J-T
C158	4030006860	S.CER C1608 JB 1H 102K-T
C159	4030006860	S.CER C1608 JB 1H 102K-T
C160	4030006880	S.CER C1608 JB 1H 472K-T
C161	4030008920	S.CER C1608 JB 1H 473K-T
C165	4610001850	S.TRI TZB4R200AB10R00(TZBX4R200BA110
C166	4550000460	S.TAN TEESVA 1C 105M8R

[PLL UNIT]

REF NO.	ORDER NO.	DESCRIPTION
C167	4030006880	S.CER C1608 JB 1H 472K-T
C168	4030008920	S.CER C1608 JB 1H 473K-T
C170	4030006880	S.CER C1608 JB 1H 472K-T
C172	4030007060	S.CER C1608 CH 1H 270J-T
C174	4030008920	S.CER C1608 JB 1H 473K-T
C188	4030011600	S.CER C1608 JB 1E 104K-T
C191	4030006880	S.CER C1608 JB 1H 472K-T
C192	4030006880	S.CER C1608 JB 1H 472K-T
C194	4030011340	S.CER C1608 CH 1H 471J-T
C195	4030011340	S.CER C1608 CH 1H 471J-T
C203	4030006880	S.CER C1608 JB 1H 472K-T
C222	4030006880	S.CER C1608 JB 1H 472K-T
C223	4030011600	S.CER C1608 JB 1E 104K-T
C224	4030011600	S.CER C1608 JB 1E 104K-T
C225	4030006940	S.CER C1608 CH 1H 030C-T
C226	4030006940	S.CER C1608 CH 1H 030C-T
C227	4030007100	S.CER C1608 CH 1H 560J-T
C228	4550002890	S.TAN TEESVA 1A 225M8R
J1	6510018961	S.CON B2B-PH-SM4-TB(LF)(SN)
J3	6510022611	S.CON 16FMN-BMTTR-A-TBT(LF)(SN)
J4	6510018961	S.CON B2B-PH-SM4-TB(LF)(SN)

M.=Mounted side (T: Mounted on the Top side, B: Mounted on the Bottom side)
S.=Surface mount

[PA UNIT]

REF NO.	ORDER NO.	DESCRIPTION	
WS1	8600036631	SX2242 P01*J14*15*16*17PA-1	
WS2	8600036641	SX2242 J12*13PA-1 50MM [OHT]	
	8600036641	SX2242 J12*13PA-1 50MM [OHT-1]	
	8600036640	SX2242 J12*13PA 110MM [OHT-2]	
	8600036640	SX2242 J12*13PA 110MM [OHT-3]	
	8600036640	SX2242 J12*13PA 110MM [CHN]	
	8600036641	SX2242 J12*13PA-1 50MM [CHN-01]	
IC1	1180001251	S.IC	TA7808F(TE16L,Q)
Q1	1560001241	S.FET	RD01MUS1-T113
Q2	1560001530	FET	RD15HVF1-101
Q3	1560001530	FET	RD15HVF1-101
Q4	1560001601	FET	RD70HFF1C-102
Q5	1560001601	FET	RD70HFF1C-102
Q7	1590003280	S.TRA	UNR9211J-(TX)
D4	1790000700	DIO	DSA3A1
D5	1790000700	DIO	DSA3A1
D6	1160000050	S.DIO	DAP202U T106
D7	1730000481	S.ZEN	RD10M-T2B-A B3
D8	1160000060	S.DIO	DAN202U T106
D9	1160000060	S.DIO	DAN202U T106
D10	1160000060	S.DIO	DAN202U T106
D11	1160000060	S.DIO	DAN202U T106
L1	6140002350	COI	LR-274 (RIB4X7X5 3A6)
L2	6140002980	COI	LR-143 <KN>
L3	6140003600	COI	LR-401 <KN>
L4	6140004730	COI	LR-534 (LR-400)
L5	6140004570	COI	LR-507
L24	6200003241	S.COI	NLV32T-221J
L25	6200003241	S.COI	NLV32T-221J
R1	7030003310	S.RES	ERJ3GEYJ 820 V (82)
R2	7030003510	S.RES	ERJ3GEYJ 392 V (3.9K)
R3	7030003400	S.RES	ERJ3GEYJ 471 V (470)
R4	7030006210	S.RES	ERJ12YJ4R7U (4.7)
R5	7030006260	S.RES	ERJ12YJ471U (470)
	7030006240	S.RES	ERJ12YJ181U (180)
	7030006240	S.RES	ERJ12YJ181U (180)
	7030006240	S.RES	ERJ12YJ181U (180)
	7030006240	S.RES	ERJ12YJ181U (180)
	7030006240	S.RES	ERJ12YJ181U (180)
R6	7030003450	S.RES	ERJ3GEYJ 122 V (1.2K)
R7	7030000220	S.RES	MCR10EZJH 47 (470)
R8	7030000220	S.RES	MCR10EZJH 47 (470)
R9	7030011300	S.RES	ERJ1TYJ 331U (330)
R10	7030011300	S.RES	ERJ1TYJ 331U (330)
R11	7030003230	S.RES	ERJ3GEYJ 180 V (18)
R12	7030003370	S.RES	ERJ3GEYJ 271 V (270)
R13	7030003370	S.RES	ERJ3GEYJ 271 V (270)
R15	7030010540	S.RES	ERJ1TYJ 330U (33)
R16	7030010540	S.RES	ERJ1TYJ 330U (33)
R17	7030003510	S.RES	ERJ3GEYJ 392 V (3.9K)
R18	7030003510	S.RES	ERJ3GEYJ 392 V (3.9K)
R19	7030010570	S.RES	ERJ1TYJ 4R7U (4.7)
R20	7030000010	S.RES	MCR10EZJH JPW (000)
R22	7030010950	S.RES	ERJ1TYJ 100U (10)
R26	7030003440	S.RES	ERJ3GEYJ 102 V (1K)
R27	7030003440	S.RES	ERJ3GEYJ 102 V (1K)
R28	7030004040	S.RES	ERJ3GEYJ 4R7 V (4.7)
R29	7030003420	S.RES	ERJ3GEYJ 681 V (680)
R31	7030003470	S.RES	ERJ3GEYJ 182 V (1.8K)
R32	7030010570	S.RES	ERJ1TYJ 4R7U (4.7)
R33	7030010570	S.RES	ERJ1TYJ 4R7U (4.7)
R34	7030010540	S.RES	ERJ1TYJ 330U (33)
R36	7030010540	S.RES	ERJ1TYJ 330U (33)
R37	7030010410	S.RES	ERJ1TYJ 220U (22)
R38	7030010410	S.RES	ERJ1TYJ 220U (22)
R39	7030011240	S.RES	LRF3W-LF-01-R020F
R40	7030011240	S.RES	LRF3W-LF-01-R020F
R46	7030003510	S.RES	ERJ3GEYJ 392 V (3.9K)
R47	7030003510	S.RES	ERJ3GEYJ 392 V (3.9K)
R49	7030007630	S.RES	MCR100JZHJ 0.68 (R68)
R50	7510001360	S.THE	NTCG20 3SH 333JT
R51	7310005240	TRI	VM5CK-PVB 5K
R52	7030003860	S.RES	ERJ3GE JPW V
R53	7030003860	S.RES	ERJ3GE JPW V
R54	7030003860	S.RES	ERJ3GE JPW V
R55	7030003440	S.RES	ERJ3GEYJ 102 V (1K)
R56	7310005240	TRI	VM5CK-PVB 5K
R57	7030003440	S.RES	ERJ3GEYJ 102 V (1K)
R58	7310005240	TRI	VM5CK-PVB 5K
R60	7030007630	S.RES	MCR100JZHJ 0.68 (R68)
R61	7030003860	S.RES	ERJ3GE JPW V
R62	7310005240	TRI	VM5CK-PVB 5K
R63	7030003860	S.RES	ERJ3GE JPW V
R64	7310005240	TRI	VM5CK-PVB 5K
C1	4030017320	S.CER	GRM21BB11H104KA01L (GRM40-034)
C2	4030004720	S.CER	C2012 JB 1H 102K-T
C3	4030004720	S.CER	C2012 JB 1H 102K-T

[MAIN UNIT]

REF NO.	ORDER NO.	DESCRIPTION	
C4	4030008920	S.CER	C1608 JB 1H 473K-T
C5	4030017190	S.CER	GRM31AR32J471KW01D
C6	4030017190	S.CER	GRM31AR32J471KW01D
C13	4010005870	CER	HM95SJ SL 221J 500V 1 [CHN] only
C15	4320000270	DIP	DM20C 102J5 .
C17	4030008920	S.CER	C1608 JB 1H 473K-T
C19	4030008920	S.CER	C1608 JB 1H 473K-T
C21	4030005110	S.CER	C2012 JB 1E 473K-T
C22	4030006860	S.CER	C1608 JB 1H 102K-T
C27	4510004601	ELE	16 ME 1000 HC
C28	4030006880	S.CER	C1608 JB 1H 472K-T
C29	4030011600	S.CER	C1608 JB 1E 104K-T
C30	4030007170	S.CER	C1608 CH 1H 221J-T
C31	4030005110	S.CER	C2012 JB 1E 473K-T
C32	4510004601	ELE	16 ME 1000 HC
C33	4030006880	S.CER	C1608 JB 1H 472K-T
C34	4030007170	S.CER	C1608 CH 1H 221J-T
C42	4510004601	ELE	16 ME 1000 HC
C45	4030006880	S.CER	C1608 JB 1H 472K-T
C46	4030006880	S.CER	C1608 JB 1H 472K-T
C47	4030006880	S.CER	C1608 JB 1H 472K-T
C52	4030008920	S.CER	C1608 JB 1H 473K-T
C53	4030008920	S.CER	C1608 JB 1H 473K-T
C54	4030008920	S.CER	C1608 JB 1H 473K-T
C55	4030006880	S.CER	C1608 JB 1H 472K-T
C56	4030006880	S.CER	C1608 JB 1H 472K-T
C57	4030006880	S.CER	C1608 JB 1H 472K-T
C64	4030018750	S.CER	C3225 CH 2J 682K-T [OHT]
	4030018750	S.CER	C3225 CH 2J 682K-T [OHT-1]
	4030018750	S.CER	C3225 CH 2J 682K-T [OHT-2]
	4030018750	S.CER	C3225 CH 2J 682K-T [OHT-3]
	4030018750	S.CER	C3225 CH 2J 682K-T [CHN-01]
C65	4030018750	S.CER	C3225 CH 2J 682K-T [OHT]
	4030018750	S.CER	C3225 CH 2J 682K-T [OHT-1]
	4030018750	S.CER	C3225 CH 2J 682K-T [OHT-2]
	4030018750	S.CER	C3225 CH 2J 682K-T [OHT-3]
	4030018750	S.CER	C3225 CH 2J 682K-T [CHN-01]
C68	4030011740	S.CER	GRM32N2C2H201JV01L (GRM42-2 CH) [OHT]
	4030011740	S.CER	GRM32N2C2H201JV01L (GRM42-2 CH) [OHT-1]
	4030011740	S.CER	GRM32N2C2H201JV01L (GRM42-2 CH) [OHT-2]
	4030011740	S.CER	GRM32N2C2H201JV01L (GRM42-2 CH) [OHT-3]
	4030011740	S.CER	GRM32N2C2H201JV01L (GRM42-2 CH) [CHN-01]
C69	4030011740	S.CER	GRM32N2C2H201JV01L (GRM42-2 CH) [OHT]
	4030011740	S.CER	GRM32N2C2H201JV01L (GRM42-2 CH) [OHT-1]
	4030011740	S.CER	GRM32N2C2H201JV01L (GRM42-2 CH) [OHT-2]
	4030011740	S.CER	GRM32N2C2H201JV01L (GRM42-2 CH) [OHT-3]
	4030011740	S.CER	GRM32N2C2H201JV01L (GRM42-2 CH) [CHN-01]
C70	4030005050	S.CER	C2012 CH 1H 331J-T
C72	4030011240	S.CER	GRM31M2C2H470JV01L (GRM42-6 CH)
C73	4030018750	S.CER	C3225 CH 2J 682K-T [OHT]
	4030018750	S.CER	C3225 CH 2J 682K-T [OHT-1]
	4030018750	S.CER	C3225 CH 2J 682K-T [OHT-2]
	4030018750	S.CER	C3225 CH 2J 682K-T [OHT-3]
	4030011740	S.CER	GRM32N2C2H201JV01L (GRM42-2 CH) [CHN]
	4030018750	S.CER	C3225 CH 2J 682K-T [CHN-01]
C74	4030018750	S.CER	C3225 CH 2J 682K-T [OHT]
	4030018750	S.CER	C3225 CH 2J 682K-T [OHT-1]
	4030018750	S.CER	C3225 CH 2J 682K-T [OHT-2]
	4030018750	S.CER	C3225 CH 2J 682K-T [OHT-3]
	4030011740	S.CER	GRM32N2C2H201JV01L (GRM42-2 CH) [CHN]
C75	4030011740	S.CER	GRM32N2C2H201JV01L (GRM42-2 CH)
C77	4030006880	S.CER	C1608 JB 1H 472K-T
C78	4030006880	S.CER	C1608 JB 1H 472K-T
C79	4030006880	S.CER	C1608 JB 1H 472K-T
C80	4030006880	S.CER	C1608 JB 1H 472K-T
C81	4030017320	S.CER	GRM21BB11H104KA01L (GRM40-034)
C82	4030017320	S.CER	GRM21BB11H104KA01L (GRM40-034)
C83	4030008920	S.CER	C1608 JB 1H 473K-T
C84	4030008920	S.CER	C1608 JB 1H 473K-T
C85	4030008920	S.CER	C1608 JB 1H 473K-T
C86	4030008920	S.CER	C1608 JB 1H 473K-T
C87	4030011600	S.CER	C1608 JB 1E 104K-T
C94	4030011600	S.CER	C1608 JB 1E 104K-T
C102	4030018960	S.CER	C3216 JB 1C 106MT-N
C103	4510008520	S.ELE	EEE1CA470SP
C104	4030011600	S.CER	C1608 JB 1E 104K-T
C105	4030011600	S.CER	C1608 JB 1E 104K-T
C111	4030011740	S.CER	GRM32N2C2H201JV01L (GRM42-2 CH)
C112	4030011740	S.CER	GRM32N2C2H201JV01L (GRM42-2 CH)
C113	4030012620	S.CER	GRM55R2C2H102JV01L (GRM44-1)
C201	4030011740	S.CER	GRM32N2C2H201JV01L (GRM42-2 CH)
RL1	6330001600	REL	ALD 112
J3	6510022611	S.CON	16FMN-BMTRR-A-TBT(LF)(SN)
J6	6510007020	CON	TMP-J01X-V6
J7	6510007020	CON	TMP-J01X-V6
F1	5210000131	FUS	FGB 4A PBF (FGB0 125V)
F2	5220000230	HOL	S-N5054 #01
F3	5220000230	HOL	S-N5054 #01
W11	9045201001	WIR	74/98/040/X98/X98 [CHN] only
W14	9045201001	WIR	74/98/040/X98/X98 [CHN] only

M.=Mounted side (T: Mounted on the Top side, B: Mounted on the Bottom side) S.=Surface mount

[PA UNIT]

REF NO.	ORDER NO.	DESCRIPTION		
W15	9045201001	WIR	74/98/040/X98/X98	[CHN] only
W25	9033604001	WIR	72/99/035/X98/X98	[CHN] only
EP1	6910019200	S.BEA	N2012ZPS121T50	
EP2	6910019200	S.BEA	N2012ZPS121T50	
EP6	6910012350	S.BEA	MMZ1608Y 102BT	
EP8	6910019200	S.BEA	N2012ZPS121T50	
EP11	6910012350	S.BEA	MMZ1608Y 102BT	
EP14	6910012350	S.BEA	MMZ1608Y 102BT	
EP21	6910012350	S.BEA	MMZ1608Y 102BT	
EP26	6910018930	S.BEA	MPZ2012S601A	
EP27	6910018930	S.BEA	MPZ2012S601A	

[FILTER UNIT]

REF NO.	ORDER NO.	DESCRIPTION		
D1	1160000070	S.DIO	DAN202K T146	
D2	1790000980	S.DIO	MA742(TX)	
D3	1790000980	S.DIO	MA742(TX)	
L1	6140001990	COI	LR-226 (T68-2)	
L2	6140002000	COI	LR-227 (T68-2)	
L3	6140001780	COI	LR-214 (T50-2)	
L4	6140001790	COI	LR-215 (T50-2)	
L5	6140002260	COI	LR-238 (T68-2)	
L6	6140002260	COI	LR-238 (T68-2)	
L7	6140003500	COI	LR-392 (T50-10)	
L8	6140003500	COI	LR-392 (T50-10)	
L9	6110002910	COI	LA-480	
L10	6110002920	COI	LA-481	
L11	6110002890	COI	LA-478	
L12	6110002900	COI	LA-479	
L13	6140003490	COI	LR-391 (TR10X5X5 3A6)	
L14	6140002520	COI	LR-290 (TR6X3X2 7A3)	
L15	6200002041	S.COI	NLV25T-101J	
L16	6200005051	S.COI	NLV25T-330J	
L17	6200005051	S.COI	NLV25T-330J	
L18	6200005051	S.COI	NLV25T-330J	
L19	6200005051	S.COI	NLV25T-330J	
L20	6200005011	S.COI	NLV25T-100J	
L21	6200005011	S.COI	NLV25T-100J	
L22	6200002041	S.COI	NLV25T-101J	
L23	6200002041	S.COI	NLV25T-101J	
L24	6140001810	COI	LR-217 (T50-10)	
L25	6110001680	COI	LA-254	
L100	6200005051	S.COI	NLV25T-330J	
L101	6200005051	S.COI	NLV25T-330J	
L102	6200005011	S.COI	NLV25T-100J	
L103	6200005051	S.COI	NLV25T-330J	
L104	6200005011	S.COI	NLV25T-100J	
L105	6200005051	S.COI	NLV25T-330J	
R1	7540000250	ABS	SA05C 401N	
R2	7030003590	S.RES	ERJ3GEYJ 183 V (18K)	
R3	7030008190	S.RES	ERJ12YJ330U (33)	
R4	7030003560	S.RES	ERJ3GEYJ 103 V (10K)	
R5	7030003560	S.RES	ERJ3GEYJ 103 V (10K)	
R6	7030003560	S.RES	ERJ3GEYJ 103 V (10K)	
R7	7030003400	S.RES	ERJ3GEYJ 471 V (470)	
R8	7030003640	S.RES	ERJ3GEYJ 473 V (47K)	
R9	7030003640	S.RES	ERJ3GEYJ 473 V (47K)	
R20	7030003580	S.RES	ERJ3GEYJ 153 V (15K)	
W5	7030008240	S.RES	ERJ12Y0R00U	
W72	7030003860	S.RES	ERJ3GE JPW V	
W73	7030003860	S.RES	ERJ3GE JPW V	
C1	4030008920	S.CER	C1608 JB 1H 473K-T	
C2	4030008920	S.CER	C1608 JB 1H 473K-T	
C3	4030008920	S.CER	C1608 JB 1H 473K-T	
C4	4030008920	S.CER	C1608 JB 1H 473K-T	
C5	4030008920	S.CER	C1608 JB 1H 473K-T	
C6	4030008920	S.CER	C1608 JB 1H 473K-T	
C7	4030008920	S.CER	C1608 JB 1H 473K-T	
C8	4030008920	S.CER	C1608 JB 1H 473K-T	
C9	4030006880	S.CER	C1608 JB 1H 472K-T	
C10	4030006880	S.CER	C1608 JB 1H 472K-T	
C11	4030006880	S.CER	C1608 JB 1H 472K-T	
C12	4030006880	S.CER	C1608 JB 1H 472K-T	
C13	4030006880	S.CER	C1608 JB 1H 472K-T	
C14	4030007130	S.CER	C1608 CH 1H 101J-T	
C15	4030007010	S.CER	C1608 CH 1H 100D-T	
C16	4030007130	S.CER	C1608 CH 1H 101J-T	
C17	4610001340	TRI	ECR-LA010 A12 1	
C18	4030007160	S.CER	C1608 CH 1H 181J-T	
C19	4030006870	S.CER	C1608 JB 1H 222K-T	
C20	4030011340	S.CER	C1608 CH 1H 471J-T	
C21	4030011340	S.CER	C1608 CH 1H 471J-T	
C22	4010007510	CER	HM17SJ SL 821J 500V 1	
C23	4010005880	CER	HM95SJ SL 271J 500V 1	

[FILTER UNIT]

REF NO.	ORDER NO.	DESCRIPTION		
C24	4010005880	CER	HM95SJ SL 271J 500V 1	
C25	4010007510	CER	HM17SJ SL 821J 500V 1	
C26	4030012480	S.CER	GRM31M2C2H121JV01L(GRM42-6 CH)	
C27	4010007510	CER	HM17SJ SL 821J 500V 1	
C28	4010005870	CER	HM95SJ SL 221J 500V 1	
C29	4010005850	CER	HM95SJ SL 181J 500V 1	
C30	4010005360	CER	HM11SJ SL 301J 500V 1	
C31	4010005870	CER	HM95SJ SL 221J 500V 1	
C32	4010005930	CER	HM11SJ SL 391J 500V 1	
C33	4010005750	CER	HM60SJ SL 680J 500V 1	
C34	4010005870	CER	HM95SJ SL 221J 500V 1	
C35	4010005870	CER	HM95SJ SL 221J 500V 1	
C36	4010005870	CER	HM95SJ SL 221J 500V 1	
C37	4010005870	CER	HM95SJ SL 221J 500V 1	
C38	4030011510	S.CER	GRM31M2C2H560JV01L(GRM42-6 CH)	
C39	4010005820	CER	HM74SJ SL 121J 500V 1	
C40	4010005880	CER	HM95SJ SL 271J 500V 1	
C41	4010005880	CER	HM95SJ SL 271J 500V 1	
C43	4010005780	CER	HM60SJ SL 101J 500V 1	
C44	4010005370	CER	HM11SJ SL 331J 500V 1	
C46	4010005860	CER	HM95SJ SL 201J 500V 1	
C47	4010005780	CER	HM60SJ SL 101J 500V 1	
C48	4030014460	S.CER	GRM31M2C2H820JV01L(GRM42-6 CH)	
C49	4010005830	CER	HM74SJ SL 151J 500V 1	
C50	4030011180	S.CER	GRM31M2C2H220JV01L(GRM42-6 CH)	
C51	4030014460	S.CER	GRM31M2C2H820JV01L(GRM42-6 CH)	
C52	4030011550	S.CER	GRM31M2C2H680JV01L(GRM42-6 CH)	
C53	4010005730	CER	HM60SJ SL 470J 500V 1	
C54	4010005850	CER	HM95SJ SL 181J 500V 1	
C55	4030011240	S.CER	GRM31M2C2H470JV01L(GRM42-6 CH)	
C56	4010005770	CER	HM60SJ SL 820J 500V 1	
C58	4030011240	S.CER	GRM31M2C2H470JV01L(GRM42-6 CH)	
C60	4010005620	CER	HM60SJ SL 120J 500V 1	
C61	4030014460	S.CER	GRM31M2C2H820JV01L(GRM42-6 CH)	
C63	4030006870	S.CER	C1608 JB 1H 222K-T	
C64	4010007590	CER	HM15SJ SL 681J 500V 1	
C65	4010007590	CER	HM15SJ SL 681J 500V 1	
C66	4010007590	CER	HM15SJ SL 681J 500V 1	
C67	4010007590	CER	HM15SJ SL 681J 500V 1	
C68	4010005930	CER	HM11SJ SL 391J 500V 1	
C69	4010005930	CER	HM11SJ SL 391J 500V 1	
C70	4030006880	S.CER	C1608 JB 1H 472K-T	
C71	4030006880	S.CER	C1608 JB 1H 472K-T	
C72	4030006880	S.CER	C1608 JB 1H 472K-T	
C73	4030006880	S.CER	C1608 JB 1H 472K-T	
C74	4030006880	S.CER	C1608 JB 1H 472K-T	
C75	4030006880	S.CER	C1608 JB 1H 472K-T	
C76	4030006880	S.CER	C1608 JB 1H 472K-T	
C78	4030011730	S.CER	GRM31M2C2H101JV01L(GRM42-6 CH)	
C80	4010005930	CER	HM11SJ SL 391J 500V 1	
C81	4010005930	CER	HM11SJ SL 391J 500V 1	
C103	4030011090	S.CER	GRM31M2C2H7R0DV01L(GRM42-6 CH)	
C104	4030011550	S.CER	GRM31M2C2H680JV01L(GRM42-6 CH)	
C107	4030011170	S.CER	GRM31M2C2H180JV01L(GRM42-6 CH)	
C108	4030011240	S.CER	GRM31M2C2H470JV01L(GRM42-6 CH)	
C110	4030011090	S.CER	GRM31M2C2H7R0DV01L(GRM42-6 CH)	
C111	4030011080	S.CER	GRM31M2C2H6R0DV01L(GRM42-6 CH)	
RL1	6330001471	REL	AJS1311F-K2	
RL2	6330001471	REL	AJS1311F-K2	
RL3	6330001471	REL	AJS1311F-K2	
RL4	6330001471	REL	AJS1311F-K2	
RL5	6330001471	REL	AJS1311F-K2	
RL6	6330001471	REL	AJS1311F-K2	
RL7	6330001471	REL	AJS1311F-K2	
RL8	6330001471	REL	AJS1311F-K2	
RL9	6330001471	REL	AJS1311F-K2	
RL10	6330001471	REL	AJS1311F-K2	
RL11	6330001471	REL	AJS1311F-K2	
RL12	6330001471	REL	AJS1311F-K2	
RL13	6330001330	REL	AG 201344	
J1	6510022631	CON	10FMN-BTRK-A(LF)(SN)	
J2	6510007020	CON	TMP-J01X-V6	
J3	6510007020	CON	TMP-J01X-V6	
J4	6910001040	CON	IPS-1136	
J5	6910001040	CON	IPS-1136	
W2	9001502002	WIR	72/98/030/X98/X98	[OHT]
	9001502002	WIR	72/98/030/X98/X98	[OHT-1]
	9001502002	WIR	72/98/030/X98/X98	[CHN]
	9001502002	WIR	72/98/030/X98/X98	[CHN-01]
W3	6910001031	JUM	IPS-1041-4-PT	
W4	6910001031	JUM	IPS-1041-4-PT	

M.=Mounted side (T: Mounted on the Top side, B: Mounted on the Bottom side)
S.=Surface mount

[FRONT UNIT]

REF NO.	ORDER NO.	DESCRIPTION	
WS1	8970023640		SX2242 (1)/FR
SP1	2510000671	SPE	VS-C50-0827
W3	8900014740	CAB	OPC-885A (P1,N10,L39) <TJM>
W4	8900014740	CAB	OPC-885A (P1,N10,L39) <TJM>
W5	8900014730	CAB	OPC-683A (P1,N10,L110) <TJM>
EP2	6450001230	E.O	HLJ0999-01-480 2

[LOGIC UNIT]

REF NO.	ORDER NO.	DESCRIPTION	
IC1	1140009161	S.IC	HD6433837SD17HV
IC2	1130011332	S.IC	CAT25320VI-GT3
IC3	1110005771	S.IC	S-80942CNMC-G9CT2G
IC5	1180000421	S.IC	TA78L05F(TE12R,F)
IC6	1180001071	S.IC	TA7805F(TE16L,Q)
IC7	1130013870	S.IC	NJU6445FCI-#ZZZB
IC11	1130008511	S.IC	TC7W53FU(TE12L,F)
IC12	1130006891	S.IC	TC7S04FU(TE85R,F)
IC103	1130005721	S.IC	TC7W04F(TE12L,F)
Q1	1590000680	S.TRA	DTC114EUA T106
Q2	1530002060	S.TRA	2SC4081 T106 R
Q3	1590001330	S.TRA	DTA114EUA T106
Q70	1540000441	S.TRA	2SD1619T-TD-E
Q71	1590000680	S.TRA	DTC114EUA T106
Q72	1590000680	S.TRA	DTC114EUA T106
Q102	1590001650	S.TRA	XP4601(TX)
Q103	1590000680	S.TRA	DTC114EUA T106
Q104	1590000680	S.TRA	DTC114EUA T106
Q105	1590000680	S.TRA	DTC114EUA T106
Q106	1590001330	S.TRA	DTA114EUA T106
D1	1160000070	S.DIO	DAN202K T146
D30	1160000070	S.DIO	DAN202K T146
D31	1160000070	S.DIO	DAN202K T146
D32	1750000550	S.DIO	1SS355 TE-17
D33	1160000070	S.DIO	DAN202K T146
D34	1750000550	S.DIO	1SS355 TE-17
D35	1160000070	S.DIO	DAN202K T146
D36	1750000550	S.DIO	1SS355 TE-17
D37	1160000070	S.DIO	DAN202K T146
D38	1750000550	S.DIO	1SS355 TE-17
D39	1160000070	S.DIO	DAN202K T146
D40	1750000550	S.DIO	1SS355 TE-17
D41	1160000070	S.DIO	DAN202K T146
D42	1750000550	S.DIO	1SS355 TE-17
D43	1160000070	S.DIO	DAN202K T146
D44	1750000550	S.DIO	1SS355 TE-17
D45	1160000070	S.DIO	DAN202K T146
D46	1730002531	S.ZEN	NNCD6.2G-T1-A
D47	1750000550	S.DIO	1SS355 TE-17
D48	1750000550	S.DIO	1SS355 TE-17
D49	1750000550	S.DIO	1SS355 TE-17
D51	1750000550	S.DIO	1SS355 TE-17
D52	1750000550	S.DIO	1SS355 TE-17
D53	1750000550	S.DIO	1SS355 TE-17
D54	1750000550	S.DIO	1SS355 TE-17
D55	1750000550	S.DIO	1SS355 TE-17
D102	1750000550	S.DIO	1SS355 TE-17
D120	1750000370	S.DIO	DA221 TL
D121	1750000370	S.DIO	DA221 TL
D122	1750000370	S.DIO	DA221 TL
D123	1750000370	S.DIO	DA221 TL
D124	1750000370	S.DIO	DA221 TL
X1	6050009870	S.XTA	CR-567 SMD-49 9.8304 MHz
L1	6200001831	S.COI	NLV32T-100J
L2	6200001831	S.COI	NLV32T-100J
L40	6200003261	S.COI	NLV32T-101J
L41	6200002041	S.COI	NLV25T-101J
L42	6200002041	S.COI	NLV25T-101J
L43	6200003950	S.COI	HF50ACC 322513-T
L44	6200009300	S.COI	ELJPA 100KF 10U
L47	6200003950	S.COI	HF50ACC 322513-T
L48	6200003950	S.COI	HF50ACC 322513-T
L49	6200003950	S.COI	HF50ACC 322513-T
L100	6200003261	S.COI	NLV32T-101J
L101	6200003950	S.COI	HF50ACC 322513-T
L102	6200003950	S.COI	HF50ACC 322513-T
L103	6200003950	S.COI	HF50ACC 322513-T
L104	6200003950	S.COI	HF50ACC 322513-T

[OHT-2]
[OHT-3]
[OHT]
[OHT-2]
[CHN]
[OHT-2]
[OHT-3]

[LOGIC UNIT]

REF NO.	ORDER NO.	DESCRIPTION	
R1	7030003800	S.RES	ERJ3GEYJ 105 V (1M)
R2	7030003600	S.RES	ERJ3GEYJ 223 V (22K)
R3	7030003560	S.RES	ERJ3GEYJ 103 V (10K)
R4	7030003560	S.RES	ERJ3GEYJ 103 V (10K)
R5	7030003560	S.RES	ERJ3GEYJ 103 V (10K)
R7	7030003600	S.RES	ERJ3GEYJ 223 V (22K)
R8	7030003560	S.RES	ERJ3GEYJ 103 V (10K)
R9	7030003560	S.RES	ERJ3GEYJ 103 V (10K)
R10	7030003680	S.RES	ERJ3GEYJ 104 V (100K)
R11	7030003680	S.RES	ERJ3GEYJ 104 V (100K)
R12	7030003680	S.RES	ERJ3GEYJ 104 V (100K)
R13	7030003680	S.RES	ERJ3GEYJ 104 V (100K)
R14	7030003680	S.RES	ERJ3GEYJ 104 V (100K)
R15	7030003680	S.RES	ERJ3GEYJ 104 V (100K)
R16	7030003680	S.RES	ERJ3GEYJ 104 V (100K)
R17	7030003680	S.RES	ERJ3GEYJ 104 V (100K)
R18	7030006220	S.RES	ERJ12YJ470U (47)
R19	7030007190	S.RES	ERJ12YJ220U (22)
R20	7030003640	S.RES	ERJ3GEYJ 473 V (47K)
R21	7030003630	S.RES	ERJ3GEYJ 393 V (39K)
R22	7030003440	S.RES	ERJ3GEYJ 102 V (1K)
R24	7030003640	S.RES	ERJ3GEYJ 473 V (47K)
R25	7030003640	S.RES	ERJ3GEYJ 473 V (47K)
R26	7030003640	S.RES	ERJ3GEYJ 473 V (47K)
R27	7030003640	S.RES	ERJ3GEYJ 473 V (47K)
R30	7030003640	S.RES	ERJ3GEYJ 473 V (47K)
R31	7030003640	S.RES	ERJ3GEYJ 473 V (47K)
R32	7030003640	S.RES	ERJ3GEYJ 473 V (47K)
R33	7030003640	S.RES	ERJ3GEYJ 473 V (47K)
R34	7030003640	S.RES	ERJ3GEYJ 473 V (47K)
R35	7030003640	S.RES	ERJ3GEYJ 473 V (47K)
R36	7030003640	S.RES	ERJ3GEYJ 473 V (47K)
R37	7030003640	S.RES	ERJ3GEYJ 473 V (47K)
R38	7030003640	S.RES	ERJ3GEYJ 473 V (47K)
R39	7030003640	S.RES	ERJ3GEYJ 473 V (47K)
R40	7030003640	S.RES	ERJ3GEYJ 473 V (47K)
R41	7030003640	S.RES	ERJ3GEYJ 473 V (47K)
R42	7030003640	S.RES	ERJ3GEYJ 473 V (47K)
R43	7030003640	S.RES	ERJ3GEYJ 473 V (47K)
R44	7030003200	S.RES	ERJ3GEYJ 100 V (10)
R49	7030003680	S.RES	ERJ3GEYJ 104 V (100K)
R54	7030003680	S.RES	ERJ3GEYJ 104 V (100K)
R55	7030003640	S.RES	ERJ3GEYJ 473 V (47K)
R56	7030003640	S.RES	ERJ3GEYJ 473 V (47K)
R59	7030003560	S.RES	ERJ3GEYJ 103 V (10K)
R62	7030003480	S.RES	ERJ3GEYJ 222 V (2.2K)
R63	7030003480	S.RES	ERJ3GEYJ 222 V (2.2K)
R70	7030003380	S.RES	ERJ3GEYJ 331 V (330)
R71	7030003410	S.RES	ERJ3GEYJ 561 V (560)
R72	7030003430	S.RES	ERJ3GEYJ 821 V (820)
R73	7030003540	S.RES	ERJ3GEYJ 682 V (6.8K)
R74	7030003440	S.RES	ERJ3GEYJ 102 V (1K)
R75	7030010420	S.RES	ERJ1TYJ 560U (56)
R100	7030003680	S.RES	ERJ3GEYJ 104 V (100K)
R101	7030003680	S.RES	ERJ3GEYJ 104 V (100K)
R102	7030003680	S.RES	ERJ3GEYJ 104 V (100K)
R103	7030003590	S.RES	ERJ3GEYJ 183 V (18K)
R104	7030003540	S.RES	ERJ3GEYJ 682 V (6.8K)
R105	7030003620	S.RES	ERJ3GEYJ 333 V (33K)
R106	7030003640	S.RES	ERJ3GEYJ 473 V (47K)
R107	7030003600	S.RES	ERJ3GEYJ 223 V (22K)
R108	7030003380	S.RES	ERJ3GEYJ 331 V (330)
R111	7030003640	S.RES	ERJ3GEYJ 473 V (47K)
R112	7030003640	S.RES	ERJ3GEYJ 473 V (47K)
R113	7030003600	S.RES	ERJ3GEYJ 223 V (22K)
R114	7030003600	S.RES	ERJ3GEYJ 223 V (22K)
R115	7030003640	S.RES	ERJ3GEYJ 473 V (47K)
R116	7030003560	S.RES	ERJ3GEYJ 103 V (10K)
R117	7030003560	S.RES	ERJ3GEYJ 103 V (10K)
R118	7030003640	S.RES	ERJ3GEYJ 473 V (47K)
R119	7030003640	S.RES	ERJ3GEYJ 473 V (47K)
R126	7030003360	S.RES	ERJ3GEYJ 221 V (220)
R127	7030003360	S.RES	ERJ3GEYJ 221 V (220)
R128	7030003360	S.RES	ERJ3GEYJ 221 V (220)
R129	7030003360	S.RES	ERJ3GEYJ 221 V (220)
R130	7030003360	S.RES	ERJ3GEYJ 221 V (220)
R131	7030003440	S.RES	ERJ3GEYJ 102 V (1K)
R132	7030003440	S.RES	ERJ3GEYJ 102 V (1K)
R133	7030003360	S.RES	ERJ3GEYJ 221 V (220)
R134	7030003360	S.RES	ERJ3GEYJ 221 V (220)
R135	7030003640	S.RES	ERJ3GEYJ 473 V (47K)
R136	7030003640	S.RES	ERJ3GEYJ 473 V (47K)
R137	7030003640	S.RES	ERJ3GEYJ 473 V (47K)
R138	7030003640	S.RES	ERJ3GEYJ 473 V (47K)
R139	7030003640	S.RES	ERJ3GEYJ 473 V (47K)
R141	7030003640	S.RES	ERJ3GEYJ 473 V (47K)
R142	7030003640	S.RES	ERJ3GEYJ 473 V (47K)
R143	7030003640	S.RES	ERJ3GEYJ 473 V (47K)
R144	7030003640	S.RES	ERJ3GEYJ 473 V (47K)
R145	7030003640	S.RES	ERJ3GEYJ 473 V (47K)
R146	7030003640	S.RES	ERJ3GEYJ 473 V (47K)
R147	7030003640	S.RES	ERJ3GEYJ 473 V (47K)
R148	7030003640	S.RES	ERJ3GEYJ 473 V (47K)
R149	7030003640	S.RES	ERJ3GEYJ 473 V (47K)
R150	7030003360	S.RES	ERJ3GEYJ 221 V (220)
R151	7030003360	S.RES	ERJ3GEYJ 221 V (220)
R153	7030003360	S.RES	ERJ3GEYJ 221 V (220)
R154	7030003360	S.RES	ERJ3GEYJ 221 V (220)
R156	7030003360	S.RES	ERJ3GEYJ 221 V (220)

M.=Mounted side (T: Mounted on the Top side, B: Mounted on the Bottom side)
S.=Surface mount

[LOGIC UNIT]

REF NO.	ORDER NO.	DESCRIPTION
R158	7030003360	S.RES ERJ3GEYJ 221 V (220)
R160	7030003360	S.RES ERJ3GEYJ 221 V (220)
R161	7030003360	S.RES ERJ3GEYJ 221 V (220)
R162	7030003360	S.RES ERJ3GEYJ 221 V (220)
R163	7030003360	S.RES ERJ3GEYJ 221 V (220)
R164	7030003360	S.RES ERJ3GEYJ 221 V (220)
R165	7030003560	S.RES ERJ3GEYJ 103 V (10K)
R166	7030003360	S.RES ERJ3GEYJ 221 V (220)
R169	7030003360	S.RES ERJ3GEYJ 221 V (220)
R171	7030003360	S.RES ERJ3GEYJ 221 V (220)
R172	7030003360	S.RES ERJ3GEYJ 221 V (220)
R173	7030003360	S.RES ERJ3GEYJ 221 V (220)
R174	7030003360	S.RES ERJ3GEYJ 221 V (220)
R175	7030003360	S.RES ERJ3GEYJ 221 V (220)
R176	7030003360	S.RES ERJ3GEYJ 221 V (220)
R177	7030003360	S.RES ERJ3GEYJ 221 V (220)
R179	7030003640	S.RES ERJ3GEYJ 473 V (47K)
R180	7030003640	S.RES ERJ3GEYJ 473 V (47K)
R182	7030003640	S.RES ERJ3GEYJ 473 V (47K)
R185	7030003640	S.RES ERJ3GEYJ 473 V (47K)
R186	7030003360	S.RES ERJ3GEYJ 221 V (220)
R188	7030003520	S.RES ERJ3GEYJ 472 V (4.7K)
R190	7030003440	S.RES ERJ3GEYJ 102 V (1K)
R191	7030003440	S.RES ERJ3GEYJ 102 V (1K)
R193	7030003360	S.RES ERJ3GEYJ 221 V (220)
R195	7030003640	S.RES ERJ3GEYJ 473 V (47K)
R196	7030003640	S.RES ERJ3GEYJ 473 V (47K)
R197	7030003480	S.RES ERJ3GEYJ 222 V (2.2K)
R198	7030003480	S.RES ERJ3GEYJ 222 V (2.2K)
R199	7030003430	S.RES ERJ3GEYJ 821 V (820)
R201	7030003440	S.RES ERJ3GEYJ 102 V (1K)
R211	7030003640	S.RES ERJ3GEYJ 473 V (47K)
R212	7030003360	S.RES ERJ3GEYJ 221 V (220)
W1	7030003860	S.RES ERJ3GE JPW V
W41	7030003860	S.RES ERJ3GE JPW V
W42	7030003860	S.RES ERJ3GE JPW V
W70	7030003860	S.RES ERJ3GE JPW V
W101	7030003860	S.RES ERJ3GE JPW V
W102	7030003860	S.RES ERJ3GE JPW V
C1	4030007030	S.CER C1608 CH 1H 150J-T
C2	4030007030	S.CER C1608 CH 1H 150J-T
C3	4030006900	S.CER C1608 JB 1H 103K-T
C4	4030011600	S.CER C1608 JB 1E 104K-T
C5	4510008540	S.ELE EEE1CA100SR
C6	4030011600	S.CER C1608 JB 1E 104K-T
C7	4510008550	S.ELE EEE1HA010SR
C8	4030011600	S.CER C1608 JB 1E 104K-T
C9	4030006900	S.CER C1608 JB 1H 103K-T
C11	4030011600	S.CER C1608 JB 1E 104K-T
C12	4510008540	S.ELE EEE1CA100SR
C13	4510008540	S.ELE EEE1CA100SR
C14	4030011600	S.CER C1608 JB 1E 104K-T
C15	4030011600	S.CER C1608 JB 1E 104K-T
C16	4510008540	S.ELE EEE1CA100SR
C17	4510008540	S.ELE EEE1CA100SR
C18	4030011600	S.CER C1608 JB 1E 104K-T
C19	4510008540	S.ELE EEE1CA100SR
C20	4030011600	S.CER C1608 JB 1E 104K-T
C21	4030011600	S.CER C1608 JB 1E 104K-T
C22	4030011600	S.CER C1608 JB 1E 104K-T
C42	4030006880	S.CER C1608 JB 1H 472K-T
C43	4030006880	S.CER C1608 JB 1H 472K-T
C44	4030006880	S.CER C1608 JB 1H 472K-T
C45	4030006880	S.CER C1608 JB 1H 472K-T
C46	4030006880	S.CER C1608 JB 1H 472K-T
C47	4030006880	S.CER C1608 JB 1H 472K-T
C101	4030011600	S.CER C1608 JB 1E 104K-T
C102	4030006860	S.CER C1608 JB 1H 102K-T
C103	4030009110	S.CER C3216 JB 1C 474K-T
C111	4030011600	S.CER C1608 JB 1E 104K-T
C112	4030011600	S.CER C1608 JB 1E 104K-T
C113	4030011600	S.CER C1608 JB 1E 104K-T
C114	4030011600	S.CER C1608 JB 1E 104K-T
J1	6510020421	S.CON S4B-PH-SM4-TB(LF)(SN)
J3	6510022621	S.CON 10FMN-BMTTR-A-TBT(LF)(SN)
J4	6510022621	S.CON 10FMN-BMTTR-A-TBT(LF)(SN)
J5	6510022621	S.CON 10FMN-BMTTR-A-TBT(LF)(SN)
J6	6510021721	S.CON 30FLT-SM2-TB(LF)(SN) 2
J7	6510021721	S.CON 30FLT-SM2-TB(LF)(SN) 2
J9	6510022611	S.CON 16FMN-BMTTR-A-TBT(LF)(SN)
DS1	5030002490	LCD A0087A LCD83.5*45.5*1.1T LCD
DS70	5040002940	S.LED TLYU1002A(T02)
DS71	5040002940	S.LED TLYU1002A(T02)
DS72	5040002940	S.LED TLYU1002A(T02)
DS73	5040002940	S.LED TLYU1002A(T02)
DS74	5040002940	S.LED TLYU1002A(T02)
DS75	5040002940	S.LED TLYU1002A(T02)
DS76	5040002940	S.LED TLYU1002A(T02)
DS77	5040002940	S.LED TLYU1002A(T02)
DS78	5040002940	S.LED TLYU1002A(T02)
DS79	5040002940	S.LED TLYU1002A(T02)

[LOGIC UNIT]

REF NO.	ORDER NO.	DESCRIPTION
DS80	5040002940	S.LED TLYU1002A(T02)
DS81	5040002940	S.LED TLYU1002A(T02)
DS82	5040002940	S.LED TLYU1002A(T02)
DS83	5040002940	S.LED TLYU1002A(T02)
DS84	5040002940	S.LED TLYU1002A(T02)
DS85	5040002940	S.LED TLYU1002A(T02)
DS86	5040002940	S.LED TLYU1002A(T02)
DS87	5040002940	S.LED TLYU1002A(T02)
DS88	5040002940	S.LED TLYU1002A(T02)
DS89	5040002940	S.LED TLYU1002A(T02)
DS90	5040002940	S.LED TLYU1002A(T02)
EP2	6910012350	S.BEA MMZ1608Y 102BT
EP40	6910012350	S.BEA MMZ1608Y 102BT
EP45	6910012350	S.BEA MMZ1608Y 102BT
EP46	6910012350	S.BEA MMZ1608Y 102BT
EP70	8930051450	LCD SRCN-2241-SP-N-W (SHJ)
EP152	6910012350	S.BEA MMZ1608Y 102BT
EP155	6910012350	S.BEA MMZ1608Y 102BT
EP157	6910012350	S.BEA MMZ1608Y 102BT
EP159	6910012350	S.BEA MMZ1608Y 102BT

[MIC UNIT]

REF NO.	ORDER NO.	DESCRIPTION
R1	7210003040	VAR TP96D26-22F-10KBX2-2240
R2	7210003030	VAR TP96D00-22F-10KBX2-2240
R4	7030003540	S.RES ERJ3GEYJ 682 V (6.8K)
J1	6510000191	CON FM214-8SS(P)-1
J2	6510022621	S.CON 10FMN-BMTTR-A-TBT(LF)(SN)

[PHONE UNIT]

REF NO.	ORDER NO.	DESCRIPTION
L1	6200003950	S.COI HF50ACC 322513-T
R1	7030006070	S.RES ERJ12YJ101U (100)
R2	7030006070	S.RES ERJ12YJ101U (100)
R3	7030003440	S.RES ERJ3GEYJ 102 V (1K)
C1	4030006880	S.CER C1608 JB 1H 472K-T
C2	4030006880	S.CER C1608 JB 1H 472K-T
C3	4030006880	S.CER C1608 JB 1H 472K-T
J1	6450001250	CON HLJ4306-01-30702
J2	6510022621	S.CON 10FMN-BMTTR-A-TBT(LF)(SN)

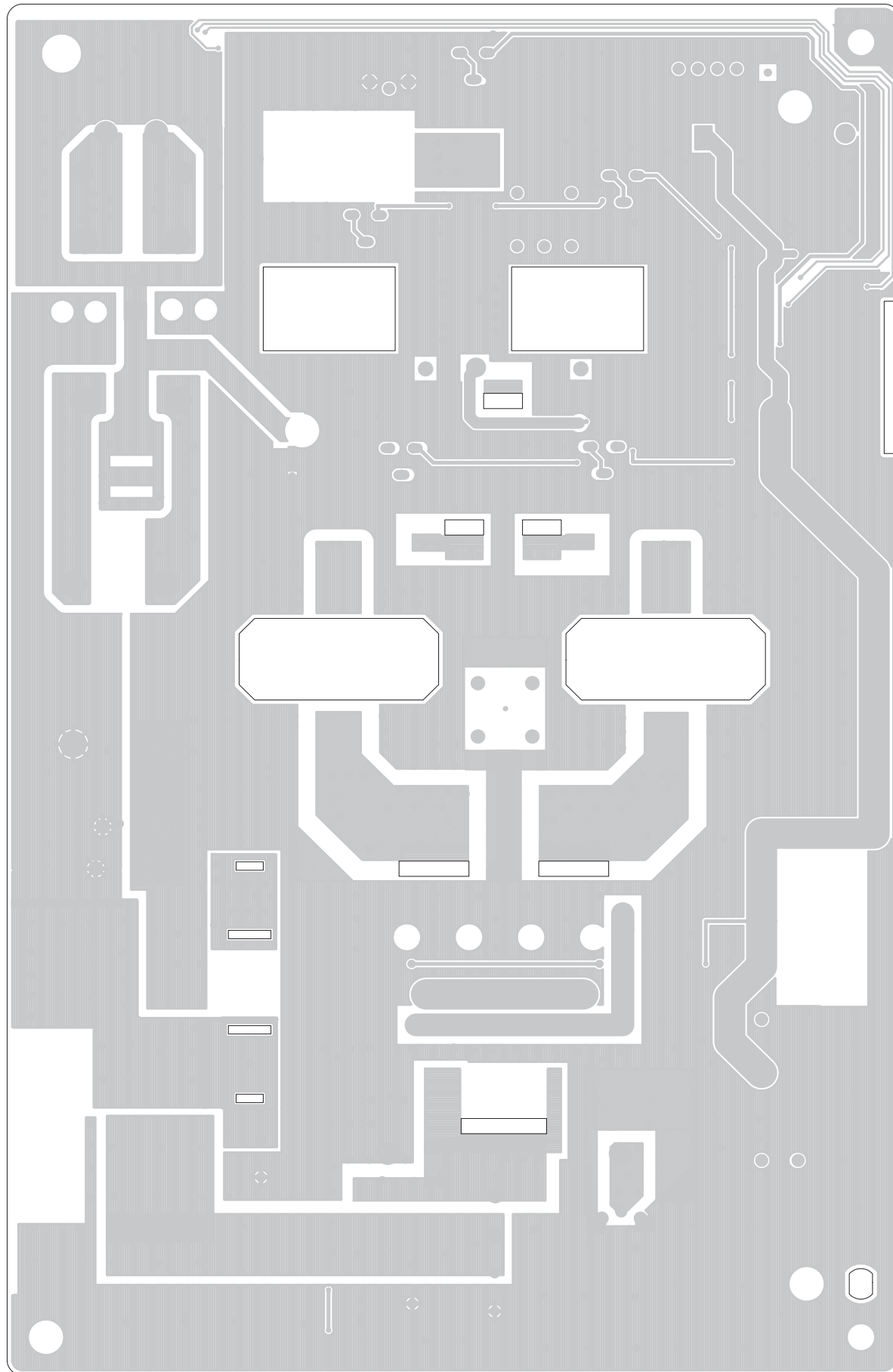
[SENSOR UNIT]

REF NO.	ORDER NO.	DESCRIPTION
WS1	8600036680	SX2241 J01*P01SE
S1	2260002430	SWI SW-165 (SRBM1L)0

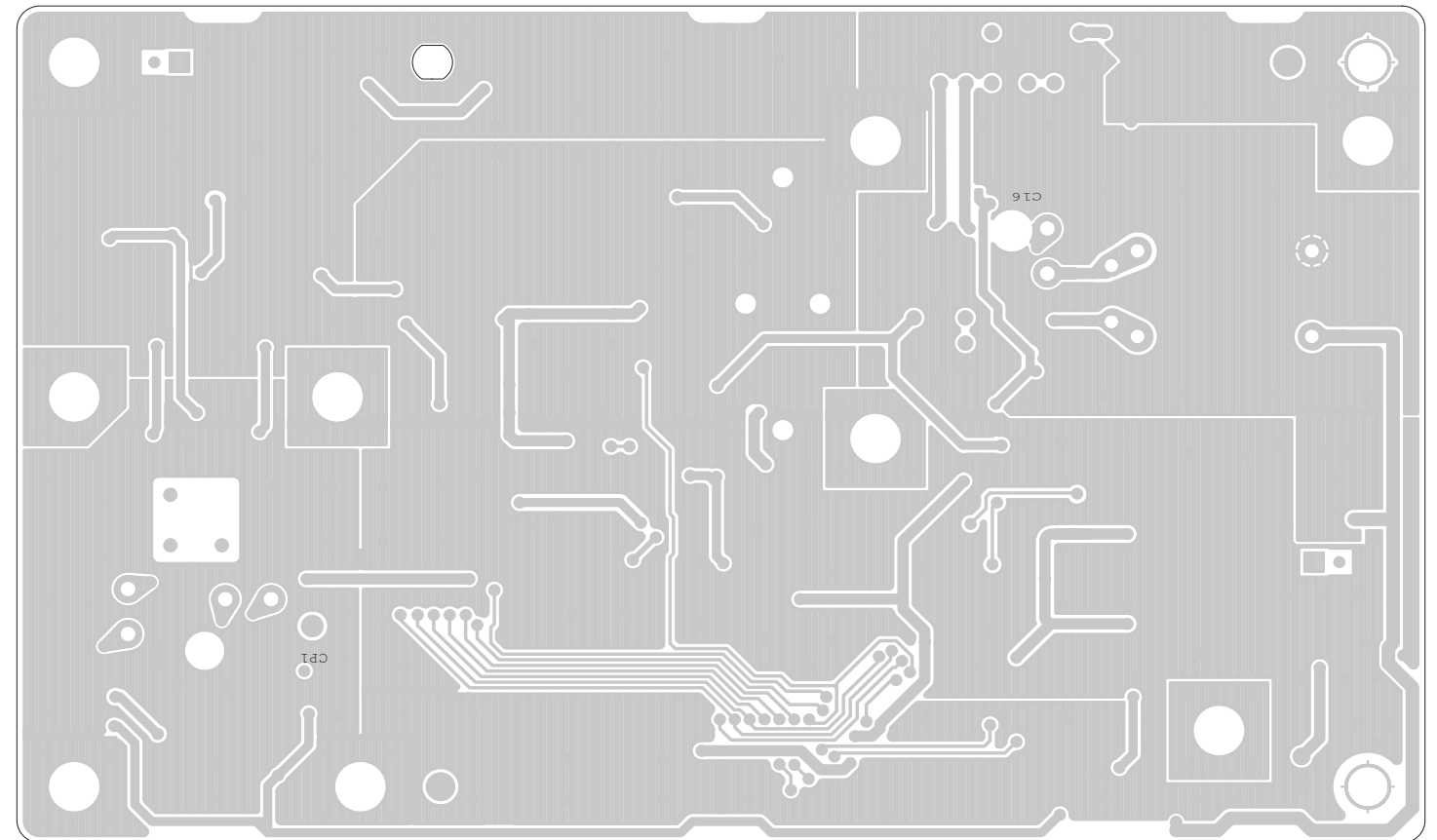
M.=Mounted side (T: Mounted on the Top side, B: Mounted on the Bottom side)
S.=Surface mount

The combination of this side and the bottom side shows the board layout in the same configuration as the actual P.C.Board.

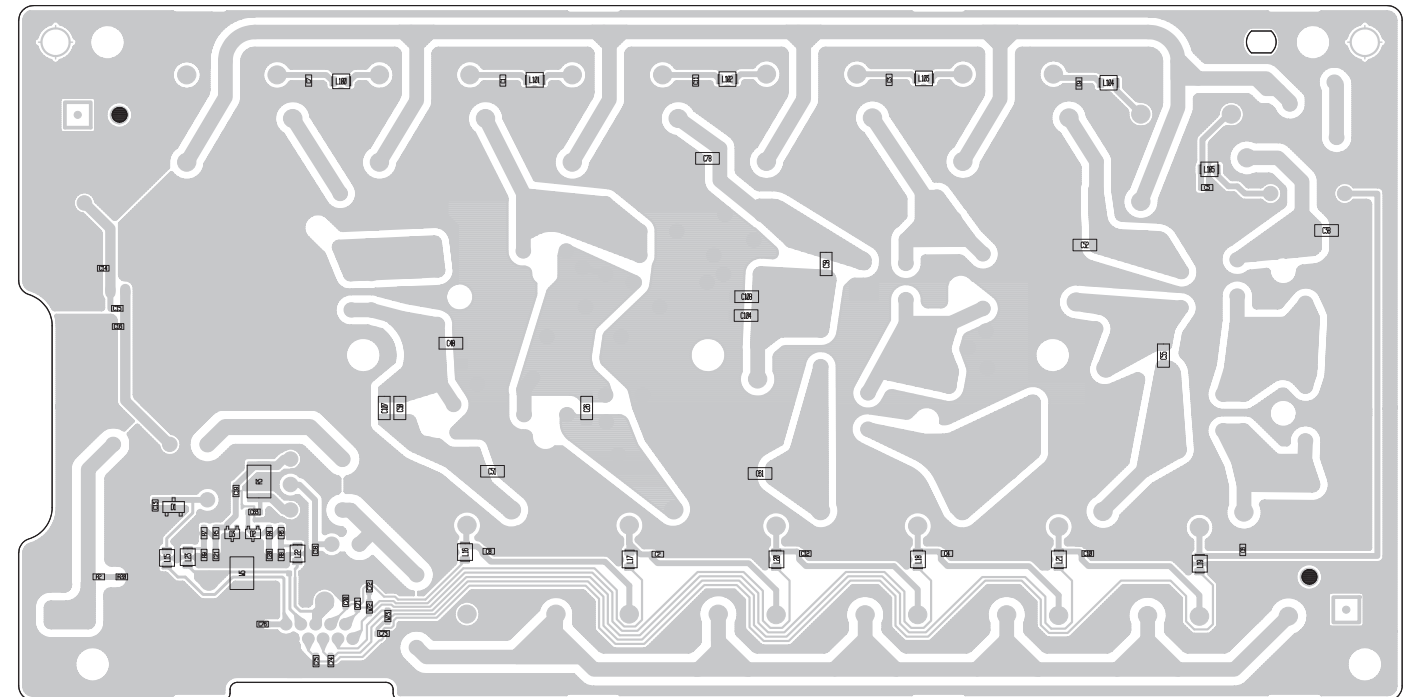
• PA UNIT (BOTTOM VIEW)



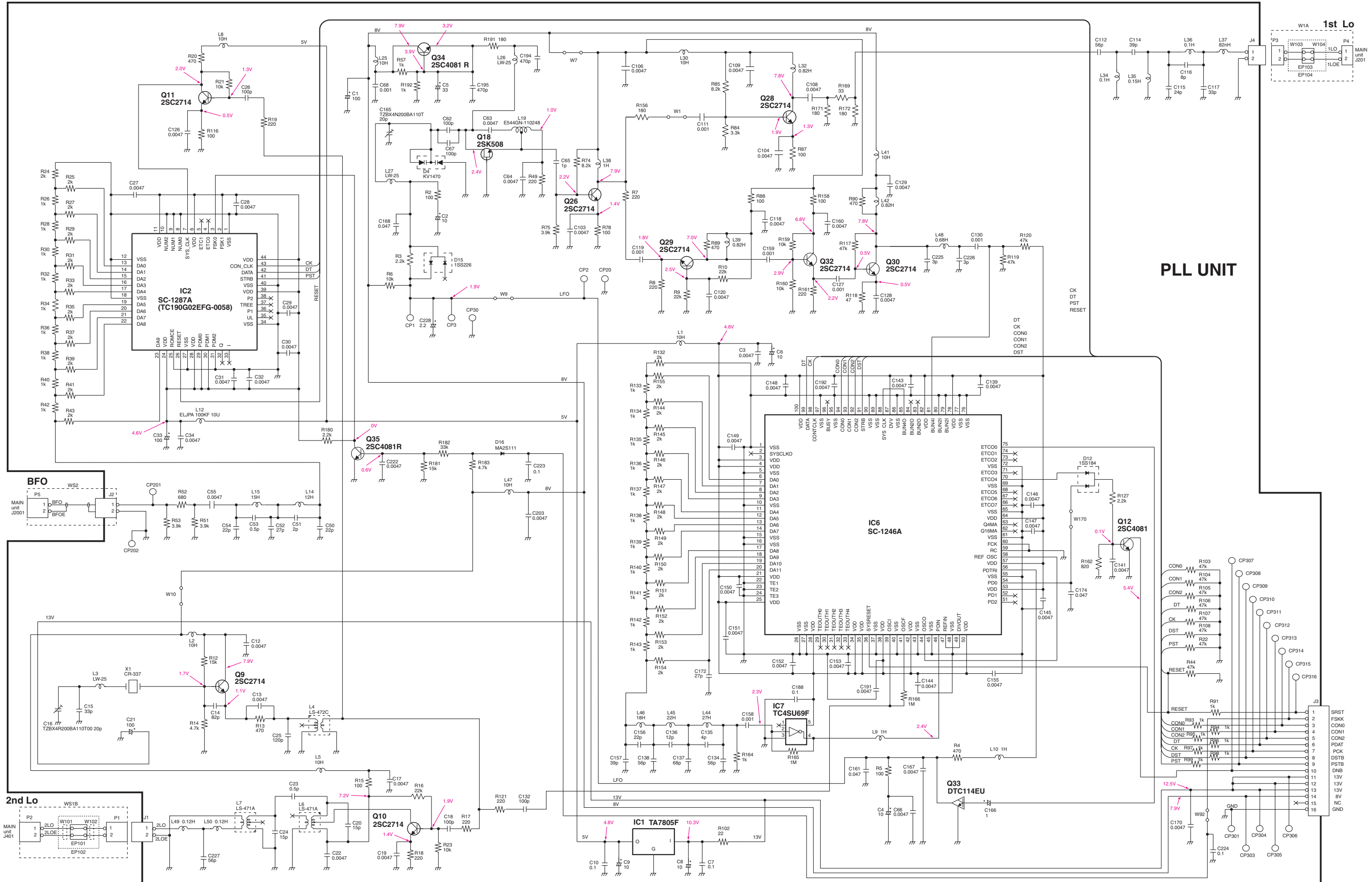
• PLL UNIT (BOTTOM VIEW)

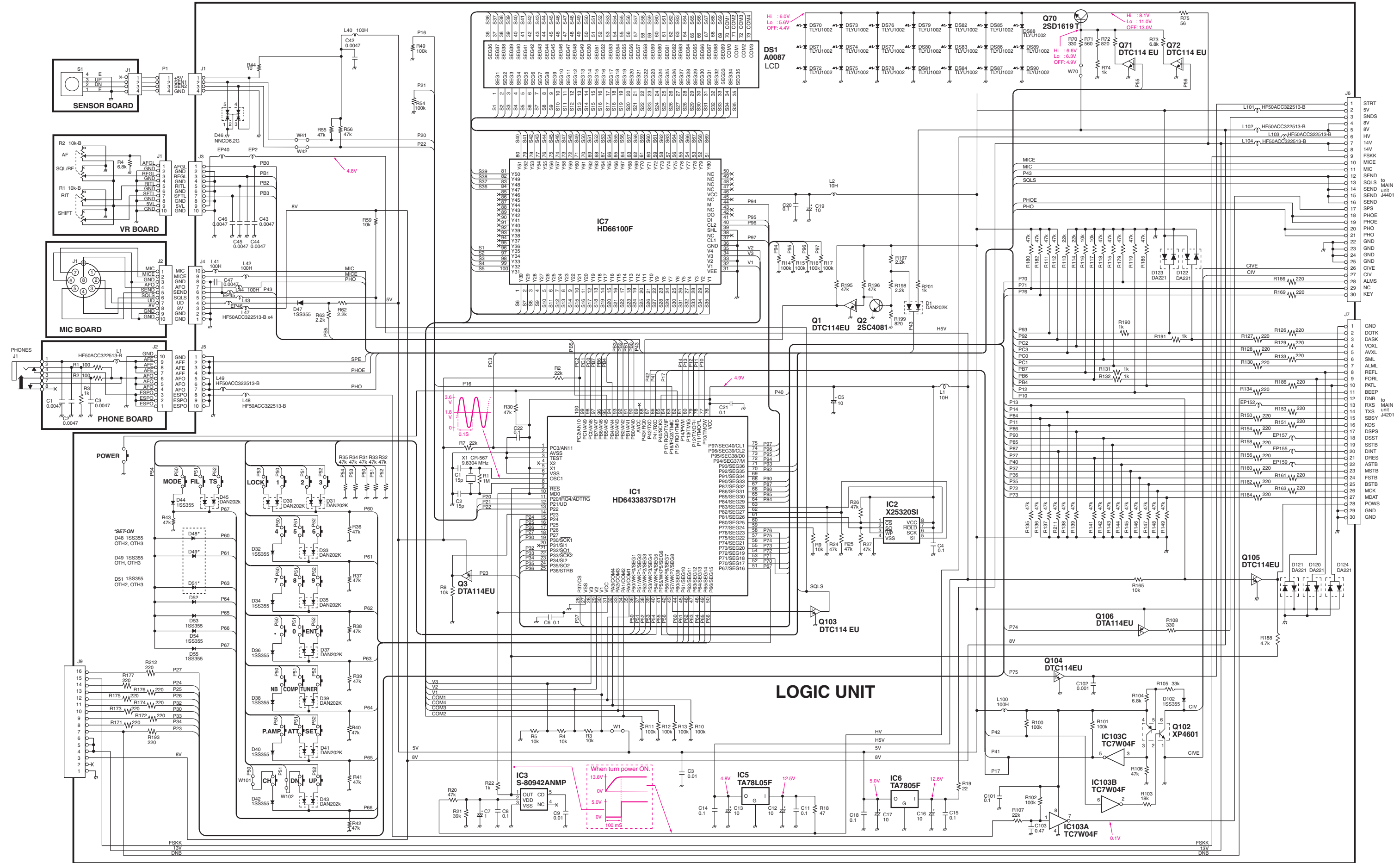


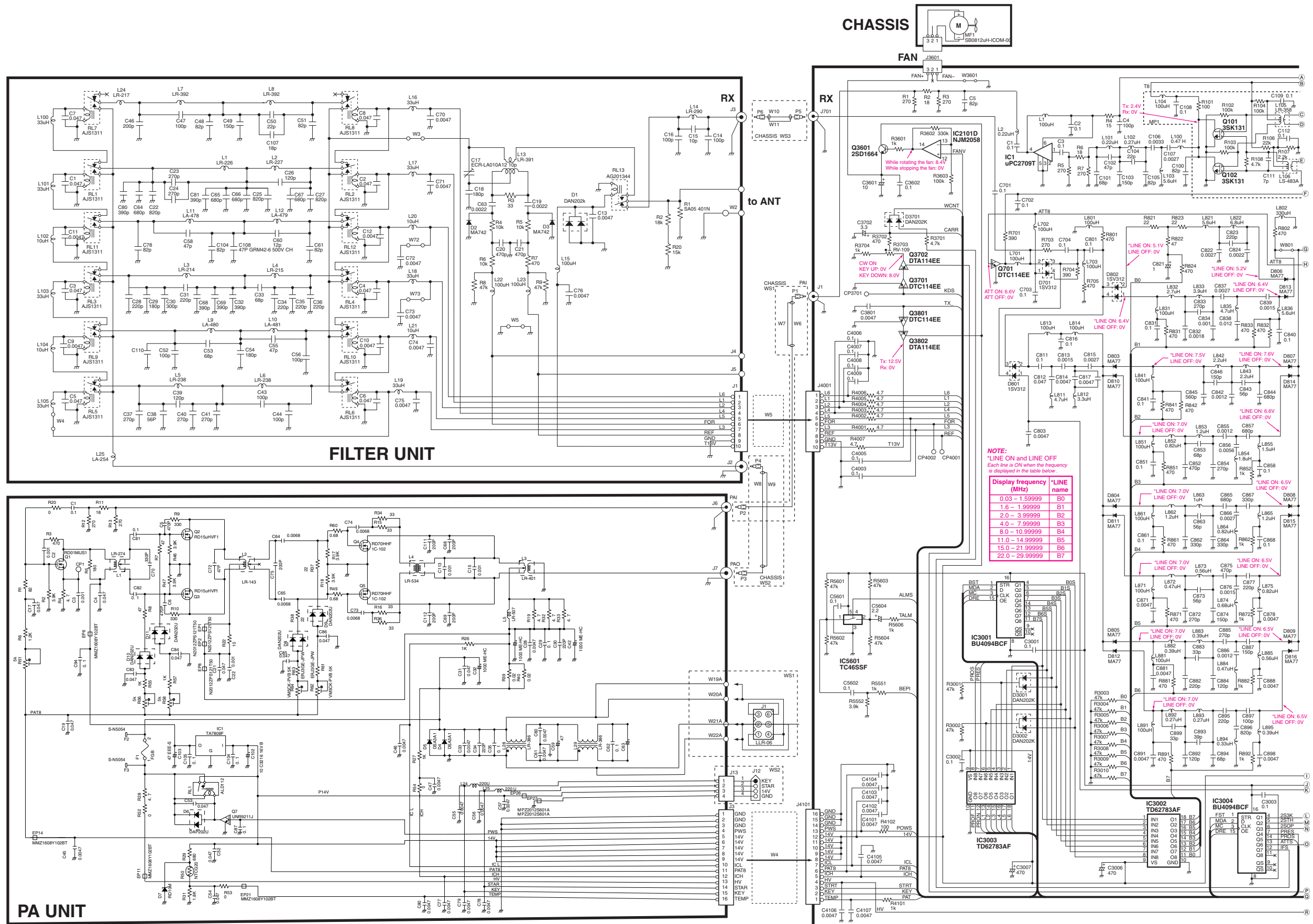
• FILTER UNIT (BOTTOM VIEW)

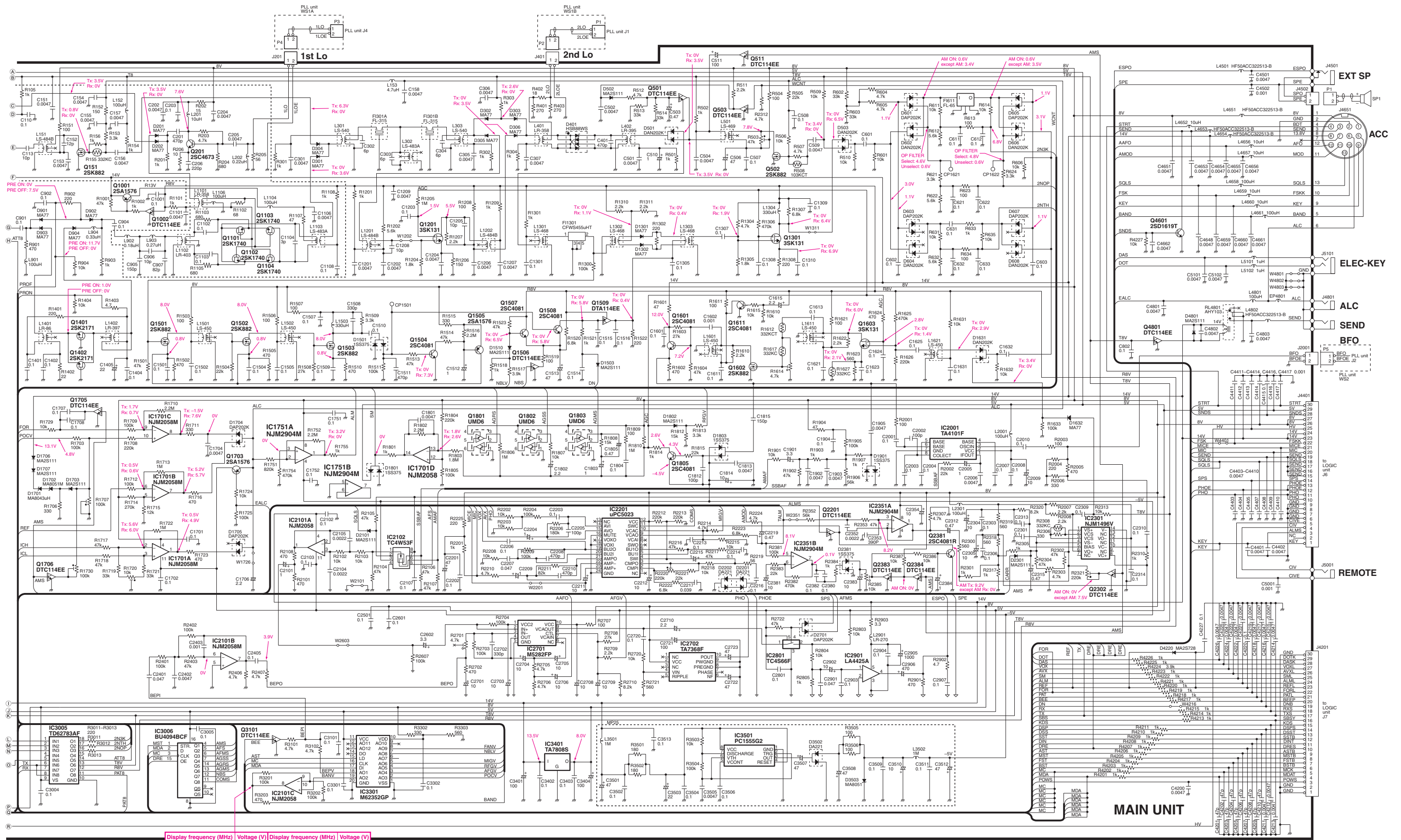


VOLTAGE DIAGRAM









Display frequency (MHz)	Voltage (V)	Display frequency (MHz)	Voltage (V)
0.03 - 1.99999	7.4	11.0 - 14.99999	4.0
2.0 - 3.99999	6.0	15.0 - 21.99999	3.1
4.0 - 7.99999	5.0	22.0 - 29.99999	2.2
8.0 - 10.99999	0		



SERVICE MANUAL

HF TRANSCEIVER

IC-78

S-13707MZ-C1-①
Aug. 2007

Icom Inc.

INTRODUCTION

This service manual describes the latest service information for the **IC-78 HF TRANSCEIVER** at the time of publication.

To upgrade quality, all electrical or mechanical parts and internal circuits are subject to change without notice or obligation.

VERSION NO.	VERSION	SYMBOL
#01	Commercial	OTH
#02	Commercial (w/alarm)	OTH-1
#03	Marine	OTH-2
#04	Marine (w/alarm)	OTH-3

DANGER

NEVER connect the transceiver to an AC outlet or to a DC power supply that uses more than 16 V. This will ruin the transceiver.

DO NOT expose the transceiver to rain, snow or any liquids.

DO NOT reverse the polarities of the power supply when connecting the transceiver.

DO NOT apply an RF signal of more than 20 dBm (100 mW) to the antenna connector. This could damage the transceiver's front end.



ORDERING PARTS

Be sure to include the following four points when ordering replacement parts:

1. 10-digit order numbers
2. Component part number and name
3. Equipment model name and unit name
4. Quantity required

<SAMPLE ORDER>

1110004080 S.IC μPC2709T IC-78 MAIN UNIT 1 piece
8810009130 Screw PH B0 M3 × 12 NI-ZU IC-78 CHASSIS 6 pieces

Addresses are provided on the inside back cover for your convenience.

REPAIR NOTES

1. Make sure a problem is internal before disassembling the transceiver.
2. **DO NOT** open the transceiver until the transceiver is disconnected from its power source.
3. **DO NOT** force any of the variable components. Turn them slowly and smoothly.
4. **DO NOT** short any circuits or electronic parts. An insulated tuning tool **MUST** be used for all adjustments.
5. **DO NOT** keep power ON for a long time when the transceiver is defective.
6. **DO NOT** transmit power into a signal generator or a sweep generator.
7. **ALWAYS** connect a 50 dB or 60 dB attenuator between the transceiver and a deviation meter or spectrum analyser when using such test equipment.
8. **READ** the instructions of test equipment thoroughly before connecting equipment to the transceiver.

CONTENTS

SECTION 1 SPECIFICATIONS

SECTION 2 INSIDE VIEWS

SECTION 3 DISASSEMBLY INSTRUCTION

SECTION 4 CIRCUIT DESCRIPITON

4-1	RECEIVER CIRCUITS.....	4-1
4-2	TRANSMITTER CIRCUITS.....	4-4
4-3	PLL CIRCUITS.....	4-6
4-4	LOGIC CIRCUITS.....	4-6
4-5	POWER SUPPLY CIRCUITS.....	4-8

SECTION 5 ADJUSTMENT PROCEDURES

5-1	PREPARATION BEFORE SERVING.....	5-1
5-2	PLL ADJUSTMENT.....	5-2
5-3	TRANSMITTER ADJUSTMENTS.....	5-3
5-4	RECEIVER ADJUSTMENTS.....	5-4
5-5	SET MODE ADJUSTMENT.....	5-4

SECTION 6 PARTS LIST

SECTION 7 MECHANICAL PARTS

SECTION 8 SEMI-CONDUCTOR INFORMATION

SECTION 9 BOARD LAYOUTS

	LOGIC UNIT and SENSOR, MIC, PHONE BOARDS.....	9-1
	VR UNIT.....	9-2
	MAIN UNIT.....	9-3
	PLL, FILTER, PA UNIT.....	9-5

SECTION 10 BLOCK DIAGRAM

SECTION 11 WIRING DIAGRAM

SECTION 12 VOLTAGE DIAGRAM

12-1	PLL UNIT.....	12-1
12-2	LOGIC UNIT and SENSOR, VR, MIC, PHONE BOARDS.....	12-2
12-3	FILTER, PA, MAIN UNITS.....	12-3
12-4	MAIN UNIT.....	12-4

SECTION 1 SPECIFICATIONS

■ GENERAL

- Frequency coverage :
 - Receive 0.030–29.999999 MHz*¹
 - Transmit 1.600–29.999999 MHz*²
 - *¹ Guaranteed range: 0.5–29.999999 MHz
 - *² Guaranteed range: 1.600–1.999999 MHz
3.500–3.999999 MHz
5.000–7.999999 MHz
10.000–29.999999 MHz
- Mode : USB, LSB, CW, AM, RTTY (FSK)
- Channel : 100 channel
- Frequency stability : Less than ± 200 Hz from 1 min. to 60 min. after power ON. After that rate of stability less than ± 30 Hz/hr at +25°C (+77°F). Temperature fluctuations 0°C to 50°C (+32°F to +122°F) less than ± 350 Hz.
- Power supply requirement: 13.8 V DC ± 15 % (negative ground)
- Current consumption :

Transmit	max. power	20.0 A
Receive	stand-by	1.3 A
	max. audio	2.0 A
- Usable temp. range : -10°C to +60°C (14°F to 140°F)
- Antenna connector : SO-239 (50 Ω)
- Dimensions : 240 (W) \times 95(H) \times 239(D) mm (projection not included) 97/16(W) \times 33/4(H) \times 913/32(D) in
- Weight : 3.8 kg (8 lb 6 oz)
- ACC connector : 13-pin
- REMOTE connector : 2-conductor 3.5(d) mm (1/8")

■ TRANSMITTER

- Modulation system :

SSB	Balanced modulation
AM	Low level modulation
- Output power :

SSB/CW/RTTY/FM	2–100 W
AM	2–40 W
- Spurious emission : Less than -46 dB below peak output power
 - * spurious frequency ; below 30 MHz: -50 dB,
above 30 MHz: -60 dB
- Carrier suppression : More than 40 dB
- Unwanted sideband suppression:
 - More than 50 dB
- Mic. connector : 8-pin connector (600 Ω)
- KEY connector : 3-conductor 6.5(d) mm (1/4")
- SEND connector : Phono (RCA)
- ALC connector : Phono (RCA)

■ RECEIVER

- Receive system : Double-conversion superheterodyne
- Sensitivity (10 dB S/N) :

SSB, CW, RTTY	0.16 μ V* ¹ (1.8–29.999999 MHz)
AM	13 μ V (0.5–1.599999 MHz)
	2.0 μ V* ¹ (1.6–29.999999 MHz)

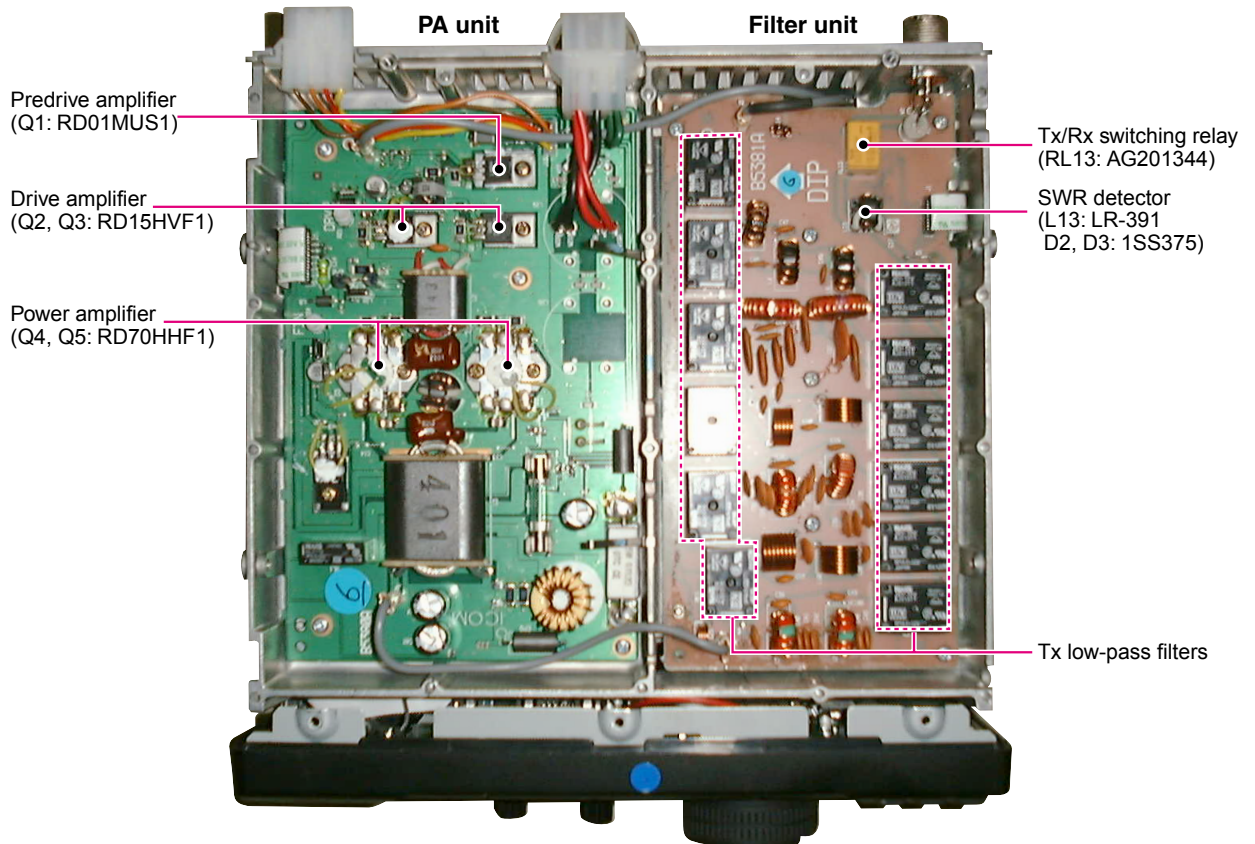
 - *¹ Pre-amp 1 ON
- Squelch sensitivity : Less than 5.6 μ V (SSB)
- Selectivity :

SSB, CW, RTTY	More than 2.1 kHz/-6 dB Less than 4.5 kHz/-60 dB
AM	More than 6.0 kHz/-6 dB Less than 20.0 kHz/-40 dB
- Spurious and image rejection ratio:
 - More than 70 dB (1.6–29.999999 MHz)
- Audio output power : More than 2.0 W (at 13.8 V DC) at 10 % distortion with an 8 Ω load
- RIT variable range : ± 1200 Hz
- PHONES connector : 3-conductor 6.5(d) mm (1/4")
- EXT SP connector : 2-conductor 3.5(d) mm (1/8") 8 Ω

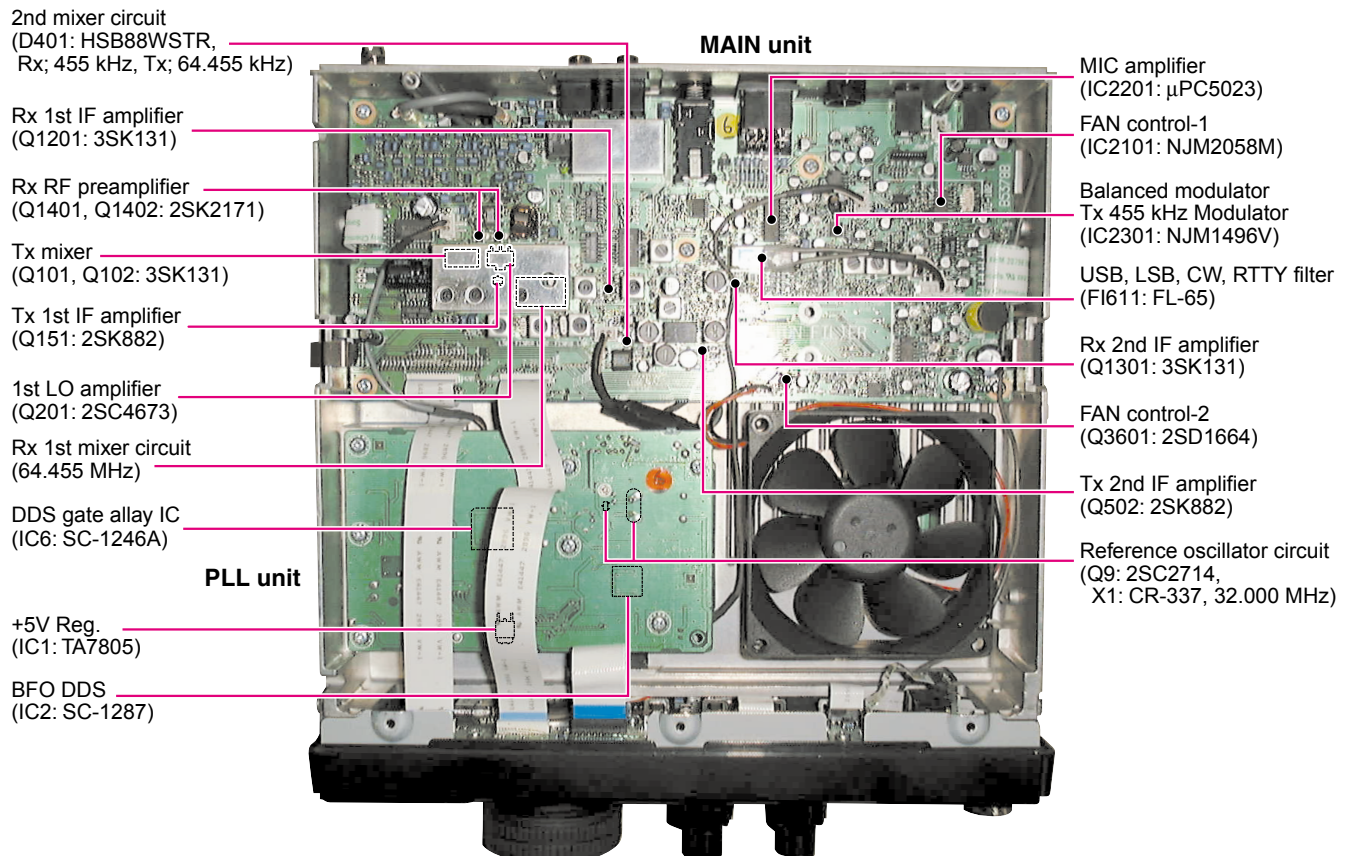
All stated specifications are subject to change without notice or obligation.

SECTION 2 INSIDE VIEWS

• Top view (PA AND FILTER UNITS)



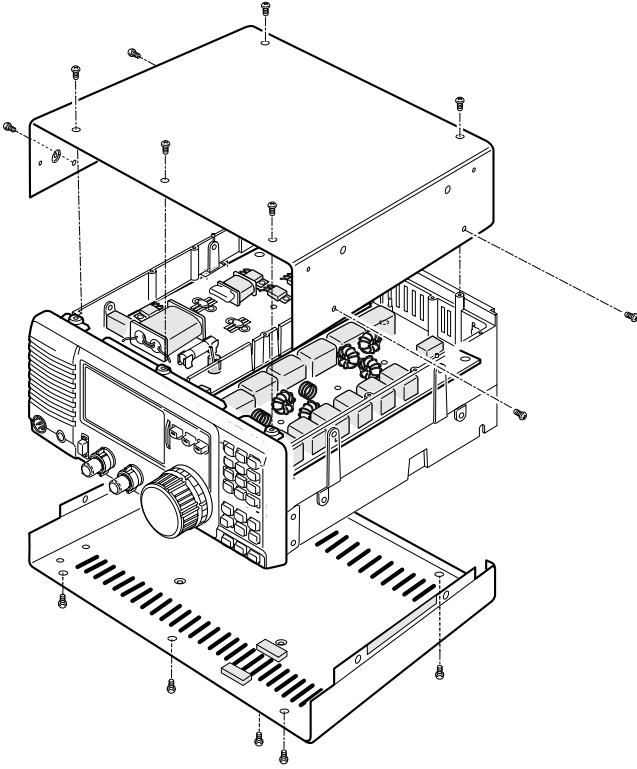
• Bottom view (MAIN AND PLL UNITS)



SECTION 3 DISASSEMBLY INSTRUCTIONS

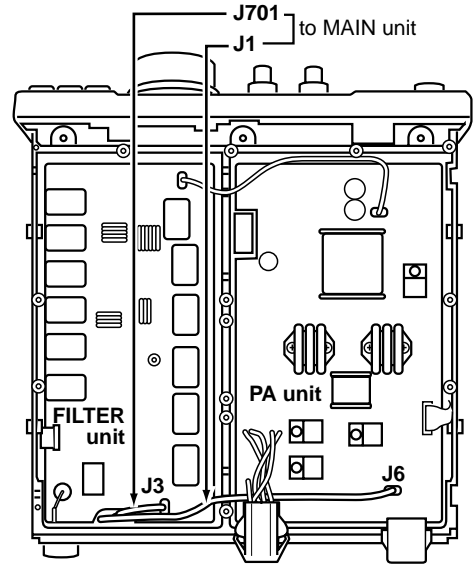
• Removing the covers

Remove 14 screws from the top and bottom covers.



• How to connect the coaxial cable

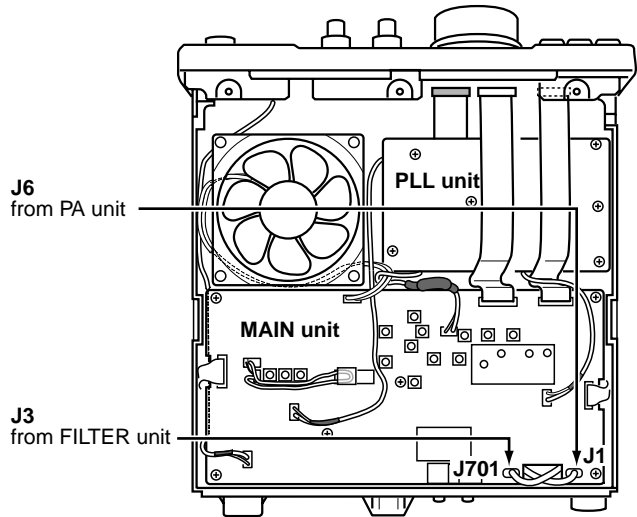
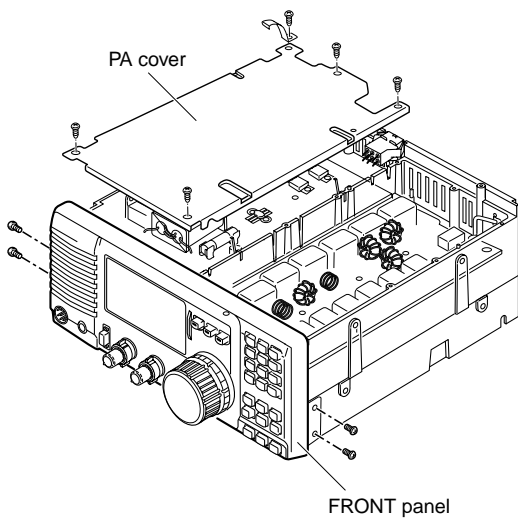
Connect the coaxial cable as shown below.



• Removing the Front unit and PA cover

Remove 4 screws from the front panel.

Remove 5 screws from the PA cover.



SECTION 4 CIRCUIT DESCRIPTION

4-1 RECEIVER CIRCUITS

4-1-1 RF SWITCHING CIRCUIT (FILTER AND MAIN UNITS)

The RF switching circuit leads receive signals to bandpass filters from the antenna connector while receiving. While transmitting, this circuit leads signals from the RF power amplifier to the antenna connector. This circuit includes a 20 dB RF attenuator circuit to prevent distortion from very strong signals.

RF signals from the antenna connector pass through the transmit/receive switching relay (RL13), and low-pass filter (L14, C14–C16), and are then applied to the MAIN unit via J3 (MAIN unit; J701).

The signals from the FILTER unit are either bypassed or are attenuated at the 20 dB attenuator (D701, R703). The signals are then applied to RF filters.

4-1-2 RF BANDPASS FILTER CIRCUIT (MAIN UNIT)

RF bandpass filters pass only the desired band signals and suppress any undesired band signals.

The RF circuit has 7 RF bandpass filters (BPF) for signals above 1.6 MHz and 1 low-pass filter (LPF) for signals and suppress any undesired band signals.

(1) 0.03–1.6 MHz

The signals pass through the low-pass filter (L821, L822, C822–C824) to suppress unwanted frequencies. The filtered signals are bypassed a pre-amplifier by a BPF control signal (B0) and preamp control signal (PROF), and are then applied to the 1st mixer circuit (Q1101–Q1104).

(2) 1.6–2.0 MHz

The signals pass through a bandpass filter (L831–L833, L835, L836, C831–C834, C837–C840) to suppress unwanted frequencies. The filtered signals are then applied to the pre-amplifier circuit.

(3) 2.0–30.0 MHz

The signals pass through a high pass filter (L811–L814, C811–C817) to suppress excessively strong signals below 2.0 MHz, such as from broadcasting stations. The filtered signals are applied to a low-pass filter or one of 5 bandpass filters depending on their frequencies and are then applied to the pre-amplifier circuit.

• Used RF filter

Band	Control signal	Input diode	Band	Control signal	Input diode
0.03–1.6 MHz	B0	D802 ^{1/2}	8–11 MHz	B4	D804
1.6–2 MHz	B1	D802 ^{1/2}	11–15 MHz	B5	D811
2–4 MHz	B2	D803	15–22 MHz	B6	D805
4–8 MHz	B3	D810	22–30 MHz	B7	D812

4-1-3 PRE-AMPLIFIER CIRCUIT (MAIN UNIT)

The pre-amplifier circuit uses two 2SK2171s to obtain 10 dB of gain over a wideband frequency range. When the pre-amplifier is turned ON, the signals above 1.6 MHz are applied to the pre-amplifier circuit.

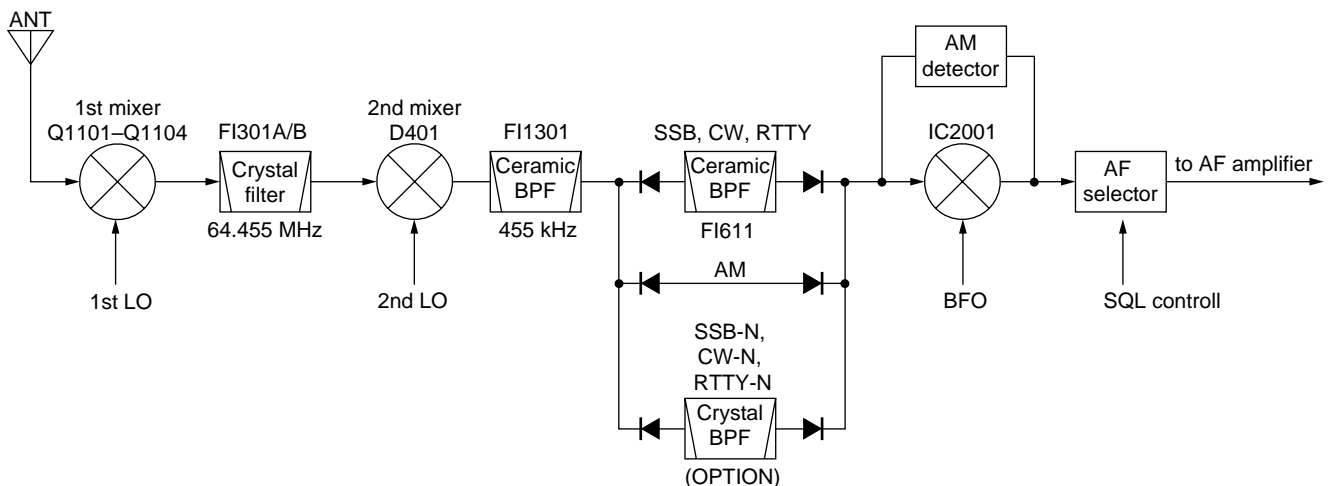
Q1401 and Q1402 are connected in parallel to easily match the impedance to 50 Ω. IC3003 (pins 11, 12) switches the signals from a bandpass filter, either to be bypassed, or to be applied to the pre-amplifier, depending on the [PREAMP] switch condition.

Amplified or bypassed signals are applied to the 1st mixer circuit (Q1102–Q1104)

4-1-4 1ST MIXER CIRCUIT (MAIN UNIT)

The 1st mixer circuit mixes the receive signals with the 1st LO signal to convert the receive signal frequencies into a 64.455 MHz 1st IF signal.

• RECEIVER CONSTRUCTION



The signals from the pre-amplifier circuit, or signals which bypass the pre-amplifier, pass through a low-pass filter (L902, L903, C904–C907). This low-pass filter suppresses signals above 30 MHz to eliminate direct receiving of signals at 64.455 MHz and image interference at 130–160 MHz. The signals are then applied to the 1st mixer (Q1102–Q1104).

The 1st LO signal (64.485–94.455 MHz) enters the MAIN unit from the PLL unit via J201 (PLL unit; J4). The LO signal is amplified at Q201 and then applied to the 1st mixer.

The 1st mixer (Q1101–Q1104) uses four 2SK1740s to produce high level mixing with a high intercept point.

4-1-5 1ST IF CIRCUIT (MAIN UNIT)

The 1st IF circuit filters and amplifies the 1st IF signals. The 1st IF signals from the 1st mixer circuit are applied to MCF (Monolithic Crystal Filter: F1301) to suppress out-of-band signals. The passband width of F1301 is ± 7.5 kHz/–6 dB. The filtered signals are applied to the 1st IF amplifier (Q1201). AGC voltage is supplied to the 2nd gate of Q1201.

• Exact 1st IF frequency

Mode	Frequency (MHz)
LSB	64.4535
USB	64.4565
CW	64.4541
AM, CW-N	64.4550

4-1-6 2ND MIXER CIRCUIT (MAIN UNIT)

The 2nd mixer circuit mixes the amplified 1st IF signals and 2nd LO signal (64.00 MHz) to convert the 1st IF signals into a 2nd IF signal.

The amplified 1st IF signals from Q1201 are converted into 455 kHz 2nd IF signal at the 2nd mixer (D401). D401 is a DBM (Double Balanced Mixer). The 2nd LO level is approx. 0 dBm.

The 2nd IF signals are applied to F11301 to suppress undesired signals such as the 2nd LO signal, and are then applied to the NB circuit.

• Exact 2nd IF frequency

Mode	Frequency (kHz)
LSB	453.5
USB	456.5
CW	454.1
AM, CW-N	455.0

4-1-7 NOISE BLANKER CIRCUIT (MAIN UNIT)

The noise blanker circuit detects pulse type noise, and turns OFF the signal line when noise appears.

The 2nd IF signals from F11301 are applied to the noise blanker gate (D1301, D1302). A portion of the signals from

F11301 is amplified at the noise amplifiers (Q1501, Q1502, Q1503), then detected at the noise detector (D1501). The detected signal from the noise detector is applied to the noise blanker control (Q1508, Q1509).

A portion of the detected signals from the noise detector is applied to the noise AGC circuit (Q1504, Q1505, R1514, R1516, C1512) to control the bias voltage of the noise amplifier (Q1501, Q1502).

The threshold level of the noise blanker switch (Q1508) is set at 0.9 V. When the detected voltage exceeds the threshold level, Q1509 outputs a blanking signal to close the noise blanker gate (D1301, D1302), depending on the pulse noise period. When the operating frequency is changed, the “DN” signal line becomes “LOW”, turning Q1509 ON through D1503. In this case, the noise blanker gate prevents PLL click noise.

4-1-8 2ND IF CIRCUIT (MAIN UNIT)

The signals passed through the noise blanker gate (D1301, D1302) are amplified at Q1301. AGC voltage is supplied to the 2nd gate of Q1301.

When SSB, CW or RTTY mode is selected, the amplified signals pass through F1611 (FL-65). When an optional CW narrow filter is installed and CW-N mode is selected, the signals pass through the CW narrow filter. When AM mode is selected, the signals bypass the 2nd IF filter.

The filters are selected with mode selecting signals (SSB/CW, AM, CW-N) and the “T8V” voltage line.

The filtered signal is amplified at Q1603–Q1601 to obtain a detectable level. AGC voltage is supplied to the 2nd gate of Q1603. Two thermistors (R1612, R1617), connected to the gate of Q1602, improves the temperature characteristics of the receiver gain. R1614 adjusts the receiver gain.

While in SSB, CW or RTTY mode, output signal from Q1601 is applied to the product detector (IC2001). In AM mode, output signals from Q1601 are shared between the AM detector (D1901) and AGC detector (D1803).

4-1-9 BFO CIRCUIT (PLL UNIT)

BFO (Beat Frequency Oscillator) frequency is used at the SSB/CW detector and the balanced modulator. The IC-78 uses a DDS IC for the BFO circuit.

Output signals from the DDS IC (IC2) are filtered by the low-pass filter (L14, L15, C50–C54), and applied to the product detector (MAIN unit; IC2001) for receive demodulation.

• BFO frequency in each mode

Mode	Frequency (kHz)	
	Receive	Transmit
LSB	453.5	453.5
USB	456.5	456.5
CW	454.1	455.0
CW-N	455.0	455.0
AM	No output	455.0

4-1-10 SSB/CW DEMODULATOR CIRCUITS (MAIN UNIT)

In SSB or CW mode, the 2nd IF signal from the IF amplifier (Q1601) is mixed with the BFO signal from the PLL unit at the product detector (IC2001) to demodulate the 2nd IF signal into AF signals. The detected signals (AF) from IC2001 (pin 1) are applied to the AF input mode selector switch (IC2102, pin 7).

4-1-11 AM DEMODULATOR CIRCUITS (MAIN UNIT)

In AM mode, the 2nd IF signal from the buffer amplifier (Q1601) passes through C1905 and is detected at D1901. The detected signal (AF) is then applied to the AF input mode selector switch (IC2102, pin 6).

4-1-12 AF INPUT MODE SELECTOR SWITCH (MAIN UNIT)

The AF signal from one of the detector circuits is applied to the AF input mode selector switch (IC2102). IC2102 consists of analog switches which are selected with a mode signal and the squelch control signal. The AF signal is output from IC2102 (pin 1) and then applied to the AF amplifier circuit.

4-1-13 AGC CIRCUIT (MAIN UNIT)

The AGC (Automatic Gain Control) circuit reduces IF amplifier gain to keep the audio output at a constant level.

The voltage on the AGC line (Q1805, collector) determines the receiver gain. The voltage is usually set by D1803 and the resistance ratio of R1812 and R1813.

The 2nd IF signal from the buffer amplifier (Q1601) is detected at the AGC detector (D1803) and is then applied to the DC amplifier (Q1805). -5 V is applied to the Q1805 emitter to activate the AGC line with minus voltage.

When receiving strong signals, the detected voltage increases and the voltage of the AGC line decreases via the DC amplifier (Q1805). As the AGC line is used for the bias voltage of the IF amplifiers (Q1301, Q1201, Q1603), IF amplifier gain is decreased.

When the strong signal disappears, C1804 and R1809 release the AGC line voltage in CW or RTTY mode to obtain a fast AGC release time. While in SSB or AM mode, C1803, C1805, R1808 and C1802, R1807 are connected in parallel to obtain a appropriate AGC characteristics (middle or slow AGC release time), respectively.

4-1-14 S-METER CIRCUIT (MAIN UNIT)

The S-meter circuit indicates the relative received signal strength while receiving by utilizing the AGC voltage which changes depending on the received signal strength.

The AGC bias voltage (time constant line) is applied to a differential amplifier (IC1701d, pin 13) where the difference between the bias and reference voltage is detected.

The S-meter signal is applied to the A/D converter section in the CPU (LOGIC unit; IC1, pin 98) and the S/R/F indicator displays the relative signal strength.

4-1-15 SQUELCH CIRCUIT (MAIN UNIT)

The squelch circuit mutes audio output when the S-meter signal is lower than the [SQL] control setting level.

The S-meter signal from IC1701d (pin 14) is applied to the CPU (LOGIC unit; IC1) to be compared with the threshold level set by the [SQL] control.

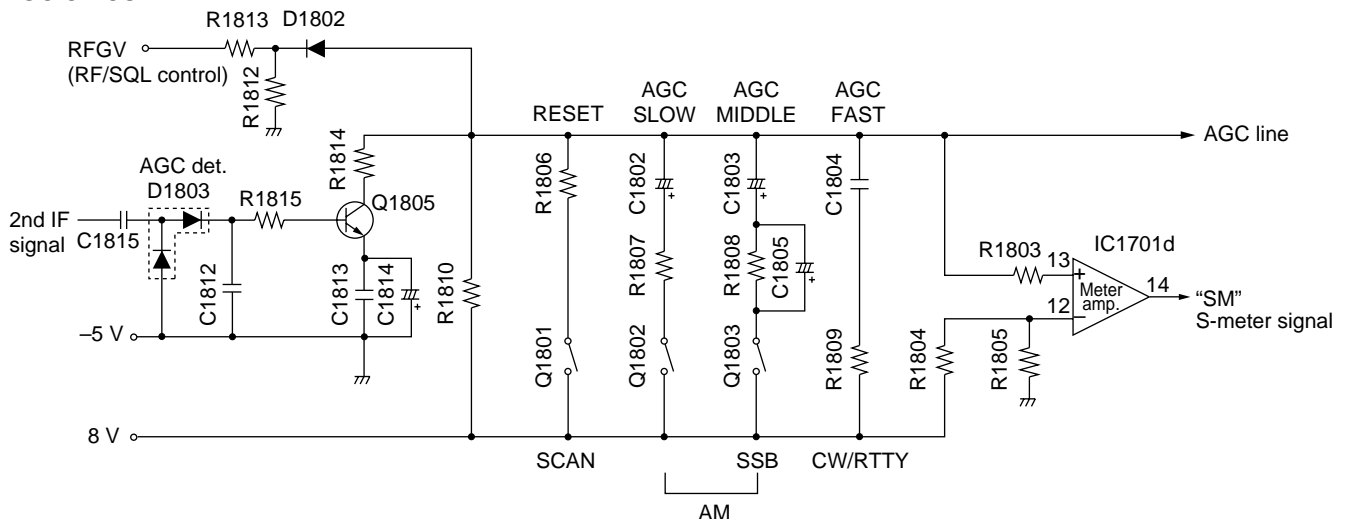
When the S-meter signal is lower than the threshold level, the CPU outputs control signal to the AF input mode selector switch (IC2102, pin 5) via the D/A converter (IC3006). This cuts the AF signal OFF. The CPU also controls turning OFF the [RX] indicator, and CPU (pin 43) outputs "SQLS" signal to the [MIC] connector (pin 6) and [ACC] connector (pin 13).

4-1-16 AF AMPLIFIER CIRCUIT (MAIN UNIT)

The AF amplifier amplifies the AF input signal to a suitable driving level for the speaker.

The AF signal from the AF input mode selector switch is applied to the AF pre-amplifier (IC2101a). The CW side tone signal is also applied to IC2101a.

• AGC CIRCUIT



The amplified signal is applied to the VCA (IC2701), and then volume controlled AF signal is power-amplified at the AF power amplifier (IC2901) to drive the speaker. The AF signal is applied to the speaker.

4-2 TRANSMITTER CIRCUITS

4-2-1 MICROPHONE AMPLIFIER CIRCUIT (MAIN UNIT)

The microphone amplifier circuit amplifies microphone-input signals and outputs the amplified signal to the balanced modulator.

Audio signals from the [MIC] connector are applied to the MIC amplifier IC (IC2201). IC2201 consists of the microphone amplifier, microphone gain controller, speech compressor and VOX circuit. External modulation input from the [ACC] socket (pin 11) is also applied to IC2201. The microphone bias voltage is supplied from the 8V line via R2225 and R2201.

In AM mode, the ALC circuit (IC2351b, D2381) limits maximum level of the IC2201 output. The maximum modulation level is set by R2385.

4-2-2 BALANCED MODULATOR (MAIN UNIT)

The balanced modulator converts the AF signal from the microphone amplifier into a 455 kHz IF signal with a BFO signal.

Output signals from the microphone amplifier or the CW keying signal are applied to the balanced modulator (IC2301, pin 1). The BFO signal from the PLL unit is applied to IC2301 (pin 10) as a carrier signal.

C2301 is a doubled balanced mixer IC and outputs a double side band (DSB) signal with -40 dB carrier suppression.

R2303 adjusts the balanced level of IC2301 for maximum carrier suppression. In CW mode, the CW keying signal upsets the balance to create a carrier signal. In AM mode, Q2302 and R2321 upset the balance to create an AM carrier signal.

4-2-3 CW KEYING CIRCUIT (MAIN UNIT)

When the CW key is closed, control signal is output from CPU (LOGIC unit) and controls break-in operation, the side tone signal.

The input signal (DOT or DAS) from CW keyer is applied to the CPU (LOGIC unit; IC1, pins 71, 70) and then CPU outputs CW control signal (KDS) from pin 77. The CW control signal is applied to the balanced modulator (IC2301) via Q3701, Q3702, D3701 to unbalance the IC2301 input bias voltage and create a carrier signal. R3703 determines the transmit delay timing.

4-2-4 IF AMPLIFIER (MAIN UNIT)

The SSB/CW/RTTY 455 kHz IF signal passes through FI611 (FL-65) to suppress unwanted sideband signals, then the signal is applied to a transmit IF amplifier (Q502). The optional CW narrow filter is not used in transmitting.

The amplified signal from Q502 is mixed with the 2nd LO signal and converted to a 64.455 MHz IF signal at D401. D401 is used in receiving and transmitting. The AM signal bypasses FI611, and is amplified at Q502 and is then applied to D401.

The 64.455 MHz IF signal is filtered at FI301, and amplified at the IF amplifier (Q151) and is then converted into the displayed frequency at the balanced mixer (Q101, Q102) with the 1st LO signal.

The gates of the IF amplifiers (Q151, Q502) are controlled by ALC bias voltage from the ALC circuit. A thermistor (R508), connected to the gate of Q502, improves the temperature characteristics of the transmitter gain. R503 adjusts the total transmitter gain.

4-2-5 RF CIRCUIT (MAIN AND PA UNITS)

The displayed frequency signal converted at the balanced mixer (MAIN unit; Q101, Q102) is applied to the bandpass filter (L100-L103, C101-C107) where unwanted LO signal emission is reduced. The filtered signal is attenuated at R5-R7 and amplified at IC1, and is then applied to the PA unit via the attenuator (R1-R3).

The signals from the MAIN unit are amplified at the predrive amplifier (Q1), drive amplifier (Q2, Q3) and power amplifier (Q4, Q5) in the PA unit to obtain a stable 100 W of RF output power.

The predrive amplifier is a class-A amplifier with a VCC of 13.8 V. The drive amplifier is a class-AB push-pull amplifier with a VCC of 13.8 V. D1 controls bias voltage to the drive amplifier.

The impedance of the signal from the drive amplifier is converted at L2, and then the signal is applied to the power amplifier (Q4, Q5). The power amplifier is a class-AB push-pull amplifier and amplifies the input signal to 100 W. D2 and D3 control bias voltage to the power amplifier. The signal from the power amplifier is applied to one of the low-pass filters in the FILTER unit.

4-2-6 LOW-PASS FILTER CIRCUIT (FILTER UNIT)

The low-pass filter circuit consists of 6 Chebyshev low-pass filters to suppress the higher harmonic components. The signal from the power amplifier (Q4, Q5) is applied to one of the low-pass filters (depending on its frequency). The filter switching voltage from the MAIN unit (J4001) is applied to the FILTER unit via J1.

The filtered signal passes through the SWR detector circuit (L13) and is then applied to the antenna connector.

4-2-7 ALC CIRCUIT (MAIN UNIT)

The ALC (Automatic Level Control) circuit controls the gain of IF amplifiers in order for the IC-78 to output a constant RF power set by the [RF PWR] control even when the supplied voltage shifts, etc.

The "FOR" voltage from the FILTER unit is applied to IC1701c (pin 9) in the MAIN unit. The "POCV" voltage from the D/A converter (IC3301, pin 2), determined by the RF power setting, is applied to IC1701c (pin 10) as the reference voltage.

When the "FOR" voltage exceeds the "POCV" voltage, ALC bias voltage from IC1701c (pin 8) controls the IF amplifiers (Q151, Q502). This adjusts the output power to the determined level by the RF power setting until the "FOR" and "POCV" voltages are equalized.

In AM mode, Q1705 turns ON and C1707, C1708 are connected to the "FOR" voltage line to obtain an averaging ALC operation. Q1706 turns ON and the "POCV" voltage is shifted for 40 W AM output power (maximum) through R1730.

An external ALC input from the [ACC] socket or the [ALC] jack is applied to the buffer amplifier (Q1703). External ALC operation is identical to that of the internal ALC.

4-2-8 APC CIRCUIT (MAIN UNIT)

The APC (Automatic Power Control) circuit protects the power amplifiers on the PA unit from high SWR and excessive current.

A reflected wave signal appears and increases on the antenna connector when the antenna is mismatched. D3 of the SWR detector circuit (L13, D2, D3) in the FILTER unit detects the signal and applies it to IC1701b in the MAIN unit as the "REF" signal. When the "REF" signal level increases, IC1701b decreases the ALC line voltage via R1716 to activate the ALC.

For the current APC, the power transistor current is obtained by detecting the voltage ("ICH" and "ICL") which appear at both terminals of a 0.012 Ω resistor (PA unit; R25). The detected voltage is applied to the differential amplifier (IC1701a, pins 2, 3). When the current of the final transistors is more than 22 A, IC1701a controls the ALC line via D1705 to prevent excessive current flow.

4-2-9 TEMPERATURE PROTECTION CIRCUIT (MAIN UNIT)

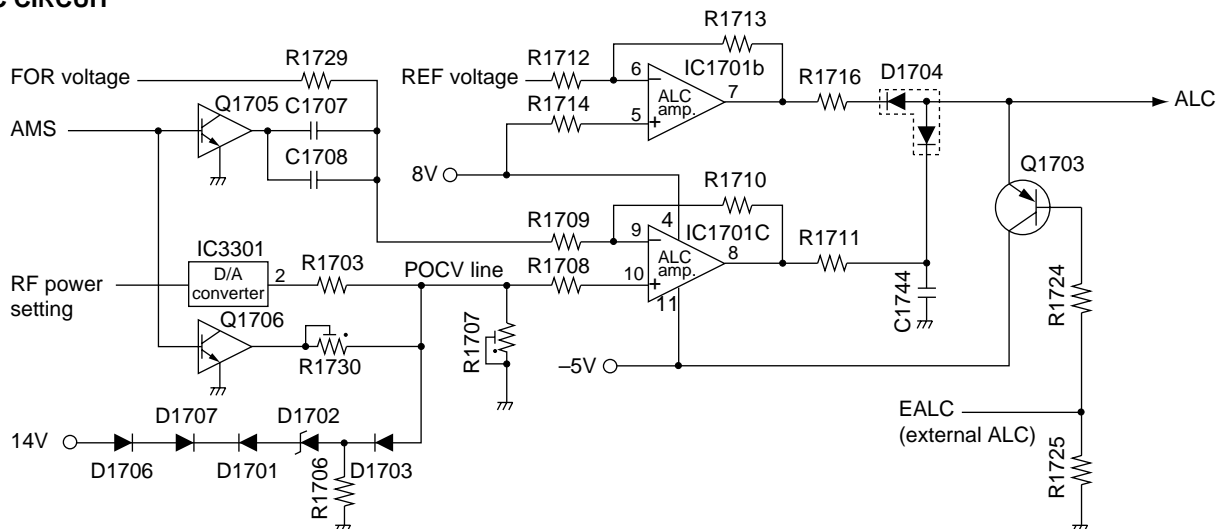
A cooling fan (CHASSIS; MF1) is activated while transmitting or if the temperature of Q4 (PA unit) exceeds the preset value.

While transmitting, PAT8 voltage is provided to MF1 via R30. Thermistor R30 on the PA unit detects the temperature of Q4. If the Q4 temperature is more than 50°C (122°F), R30 becomes very low impedance. Then TEMP signal from PA unit is applied to the A/D converter section of the CPU (IC1, pin 94) in the LOGIC unit as PATL signal. And the CPU outputs control signal to rotate the cooling fan at high speed via the I/O expander (IC3301, pin 8) as FANV signal – even when the transceiver condition has changed from transmit to receive.

4-2-10 RF METER CIRCUIT (MAIN UNIT)

The "FOR" voltage from the FILTER unit is applied to the RF meter amplifier (IC1751a, pin 2) via the ALC amplifier (IC1701c). The amplified voltage is output from pin 1 (IC1751a) and then applied to the A/D converter section of the CPU (IC1, pin 99) in the LOGIC unit.

• ALC CIRCUIT



4-3 PLL CIRCUITS

4-3-1 GENERAL DESCRIPTION

The PLL unit contains 2 DDS circuits for generating a 1st LO signal (64.485–94.455 MHz variable) and a BFO frequency (453.5–456.5 kHz). The 1st LO PLL employs a 1 loop DDS PLL whose reference oscillator is also used as the 2nd LO signal (64.00 MHz fixed). The DDS (Direct Digital Synthesizer) circuit performs signal-sampling, generation of digital sine wave and digital phase detection.

4-3-2 1ST LO CIRCUIT (PLL UNIT)

The PLL contain one VCO circuit (Q18, D4) for all HF band coverage within 1 Hz step. The VCO oscillation signal is buffer-amplified at Q26 and is then amplified at Q29, Q32 and Q30. The resulting signal is applied to the DDS IC (IC6).

The DDS IC outputs pulse-type signals. The signals are applied to the loop filter to be converted into DC voltage (lock voltage).

The lock voltage is applied to the varactor diode (D4) in the VCO circuit to change the capacitance of this diode and control the oscillation frequency.

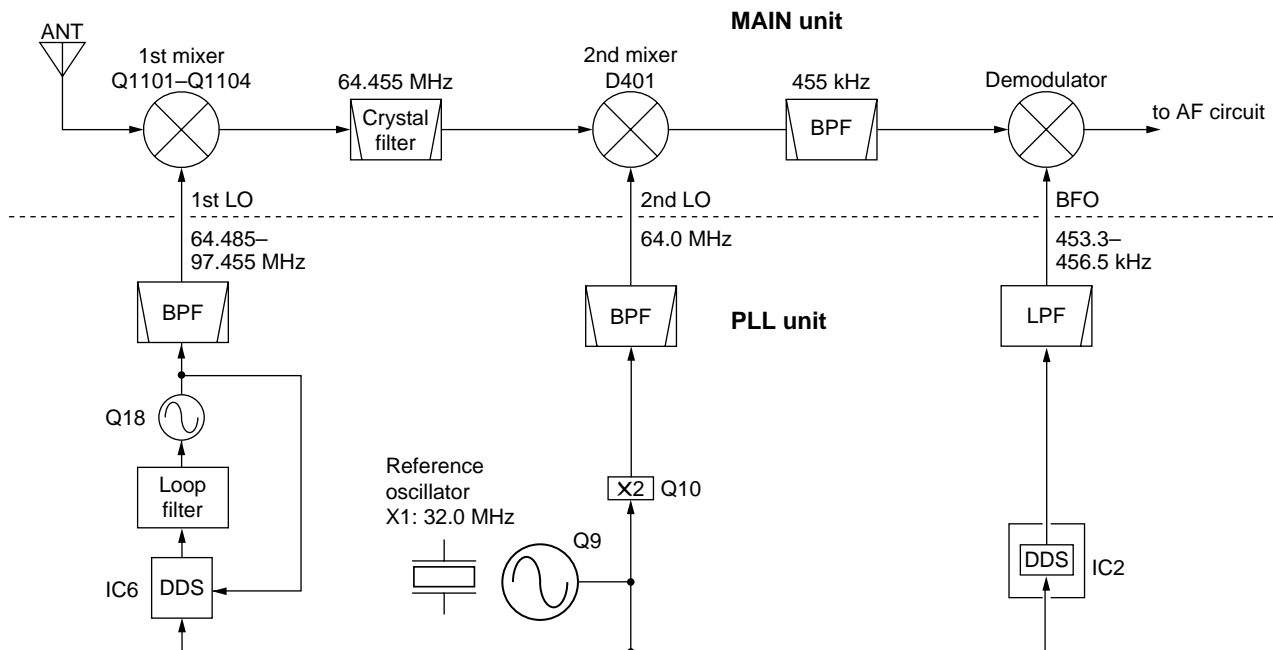
The VCO oscillating signal is then buffer-amplified at the buffer amplifier (Q26), and amplified at the LO amplifier (Q28), and finally applied to the MAIN unit as a 1st LO signal.

4-3-3 REFERENCE OSCILLATOR CIRCUIT (PLL UNIT)

The reference oscillator circuit consists of Q9 and X1. A 32.00 MHz reference frequency is oscillated to produce a 2nd LO signal, DDS reference frequency and BFO DDS clock signal.

The 32.00 MHz reference frequency is doubled at Q10 to obtain the 2nd LO signal. The resulting 64.00 MHz signal is filtered at the bandpass filter and is then applied to the MAIN unit via J1 as the 2nd LO signal.

• FREQUENCY CONSTRUCTION



4-4 LOGIC CIRCUITS

4-4-1 BAND SELECTION DATA (MAIN UNIT)

To select the correct bandpass filter and low-pass filter, the CPU outputs the following band selection data from the I/O expander (MAIN unit; IC3001) depending on the displayed frequency.

The band voltage is produced at the D/A converter (IC3301) and IC2101c.

• Band selection data

Band	BPF	Band voltage	LPF
0.03–1.59999 MHz	B0	7.4 V	L1
1.6–1.99999 MHz	B1		
2.0–3.99999 MHz	B2	6.0 V	L2
4.0–7.99999 MHz	B3	5.0 V	L3
8.0–10.99999 MHz	B4	0 V	L4
11.0–14.99999 MHz	B5	4.0 V	
15.0–21.99999 MHz	B6	3.1 V	L5
22.0–30.00000 MHz	B7	2.2 V	L6

4-4-2 RIT CONTROL (FRONT UNIT)

The [RIT] control shifts the “RITL” voltage in order to shift the receive frequency. The voltage is applied to the A/D converter section of the CPU (IC1, pin 92). The CPU shifts the N-data for the DDS IC.

4-4-3 CPU (LOGIC UNIT)

The CPU (IC1) contains an 8-bit CMOS CPU, a 60 k-byte ROM, a 2 k-byte RAM. A 9.8304 MHz clock is used for rapid operation. The CPU controls the operating frequency, mode, function display, etc. The memory channel information is stored in the EEPROM (IC2).

The Icom CI-V network system allows the IC-78 to be remotely controlled by a personal computer using an RS-232C I/O port.

• PORT ALLOCATIONS (LOGIC unit; IC1)

Pin number	Port name	Description
1	AVXL	Input port for the anti-VOX voltage.
11, 13	SEN1, SEN2	Input port for [MAIN DIAL] up/down signals.
15-17	CONO-CON2	Output control bit signals for the 1st LO DDS circuit (PLL unit; IC6).
18	DRES	Output reset signal for the DDS circuits (PLL unit; IC2, IC6) and D/A converters (MAIN unit; IC3001, IC3004, IC3006), etc.
19	PCK	Outputs serial clock signal for the DDS circuits (PLL unit; IC2, IC6).
21	PDAT	Outputs serial data signals for the DDS circuits (PLL unit; IC2, IC6).
22	DSTB	Outputs strobe signals for the 1st LO DDS circuit (PLL unit; IC6).
23	PSTB	Outputs strobe signals for the BFO DDS circuit (PLL unit; IC2).
24	BSTB	Outputs strobe signals for the D/A converter (MAIN unit; IC3001).
25	FSTB	Outputs strobe signals for the D/A converter (MAIN unit; IC3004).
26	MSTB	Outputs strobe signals for the D/A converter (MAIN unit; IC3006).
41, 42	P55, P56	Output LCD backlight control signals for the dimmer circuit (Q70-Q72).
43	SQLS	Outputs squelch mute control signal, applied to the AF selector switch (MAIN unit; IC2102). High : Squelch opens
52	ALMS	Outputs control signal for the alarm circuit (MAIN unit; Q2201).
54	MCK	Outputs serial clock signal for the I/O expander (MAIN unit; IC3301) and D/A converters (MAIN unit; IC3001, IC3004, IC3006).
55	MDAT	Outputs serial data signals for the I/O expander (IC3301) and D/A converters (IC3001, IC3004, IC3006) on the MAIN unit.
57	STAT	Outputs start signal for the optional antenna tuner.
58	KEY	Input port for transmit control signal from the optional antenna tuner CPU.

LOGIC unit; IC1

Pin number	Port name	Description
60	ECS	Outputs chip select signal for EEPROM (IC2).
61	ESI	Input port for serial signal from EEPROM (IC2).
62	ESO	Outputs serial signal to EEPROM (IC2).
63	ESCK	Outputs serial clock signal to EEPROM (IC2)
70	DASK	Input port for [KEY] jack, dash signal. Low : During key down.
71	DOTK	Input port for [KEY] jack, dot signal. Low : During key down.
77	POWS	Outputs switching relay (PA unit; RL1) control signal.
79	BEEP	Outputs beep/CW side tone/alarm audio signals.
80	RXS	Outputs R8V regulator (MAIN unit; IC3005) control signal. Low : While receiving.
81	TXS	Outputs T8V regulator (MAIN unit; IC3005) T13V regulator (MAIN unit; Q3801, Q3802) control signal. Low : While transmitting.
82	PWRK	Input port for the [POWER] switch. Low : While [POWER] is pushed.
85	ASTB	Outputs strobe signals for the I/O expander (MAIN unit; IC3301).
86	P41	Input port for the CI-V control signals.
87	P42	Outputs CI-V control signals.
88	SEND	Input port for connected microphone's PTT switch and SEND signal from the [ACC] jack. Low : While the PTT is pushed or activated from an external unit.
90	AFGL	A/D input port for the [AF] control.
91	RFGL	A/D input port for the [RF/SQ] control.
92	RITL	A/D input port for the [RIT] control.
93	SFTL	A/D input port for the [SHIFT] control.
95	UD	A/D input port for the microphone up/down signal.
96	FORL	A/D input port for the SWR detector circuit (FILTER unit; D2).
97	REFL	A/D input port for the SWR detector circuit (FILTER unit; D3).
98	SML	A/D input port for the S-meter amplifier circuit (MAIN unit; IC1701d).
99	ALML	A/D input port for the ALC meter amplifier circuit (MAIN unit; IC1751a).
100	VOXL	A/D input port for the VOX voltage.

4-5 POWER SUPPLY CIRCUITS

4-5-1 PA UNIT

LINE	DESCRIPTION
HV	The voltage from an external power supply passed through a fuse (F1).
14 V	The same voltage as the HV line passed through the switching relay (RL1).

4-5-2 LOGIC UNIT

LINE	DESCRIPTION
H5V	Common 5 V converted from the HV line and regulated by the H5V regulator circuit (IC5).
5 V	Common 5 V converted from the 14 V line and regulated by the 5V regulator circuit (IC6).

4-5-3 MAIN UNIT

LINE	DESCRIPTION
8V	Common 8 V converted from the 14 V line and regulated by the 8V regulator circuit (IC3005).
T8V	8 V for transmitter circuits converted from the 14 V line using TX signal and regulated by the T8V regulator circuit (IC3005).
R8V	8 V for receiver circuits converted from the 14 V line using RX signal and regulated by the R8V regulator circuit (IC3005).
-5V	Common -5 V converted from the 14 V line and converted by the -5V DC-DC converter circuit (IC3501, D3502). The voltage is applied to the AGC (Q1805, D1803), ALC (IC1701) and AF selector (IC2102), etc.
PAT8	8 V for transmitter circuits converted from the 8 V line and regulated by the PAT8 regulator circuit (IC3005).
T13V	13 V for transmitter circuits converted from the 14 V line using TX signal and regulated by the T13V regulator circuit (Q3801, Q3802). The voltage is applied to the TX/RX switching relay (FILTER unit; RL13).
R13V	13 V for receiver circuits converted from the 14 V line using R8V signal and regulated by the R13V regulator circuit (Q1001, Q1002). The voltage is applied to the receive 1st mixer circuit (Q1101-Q1104).

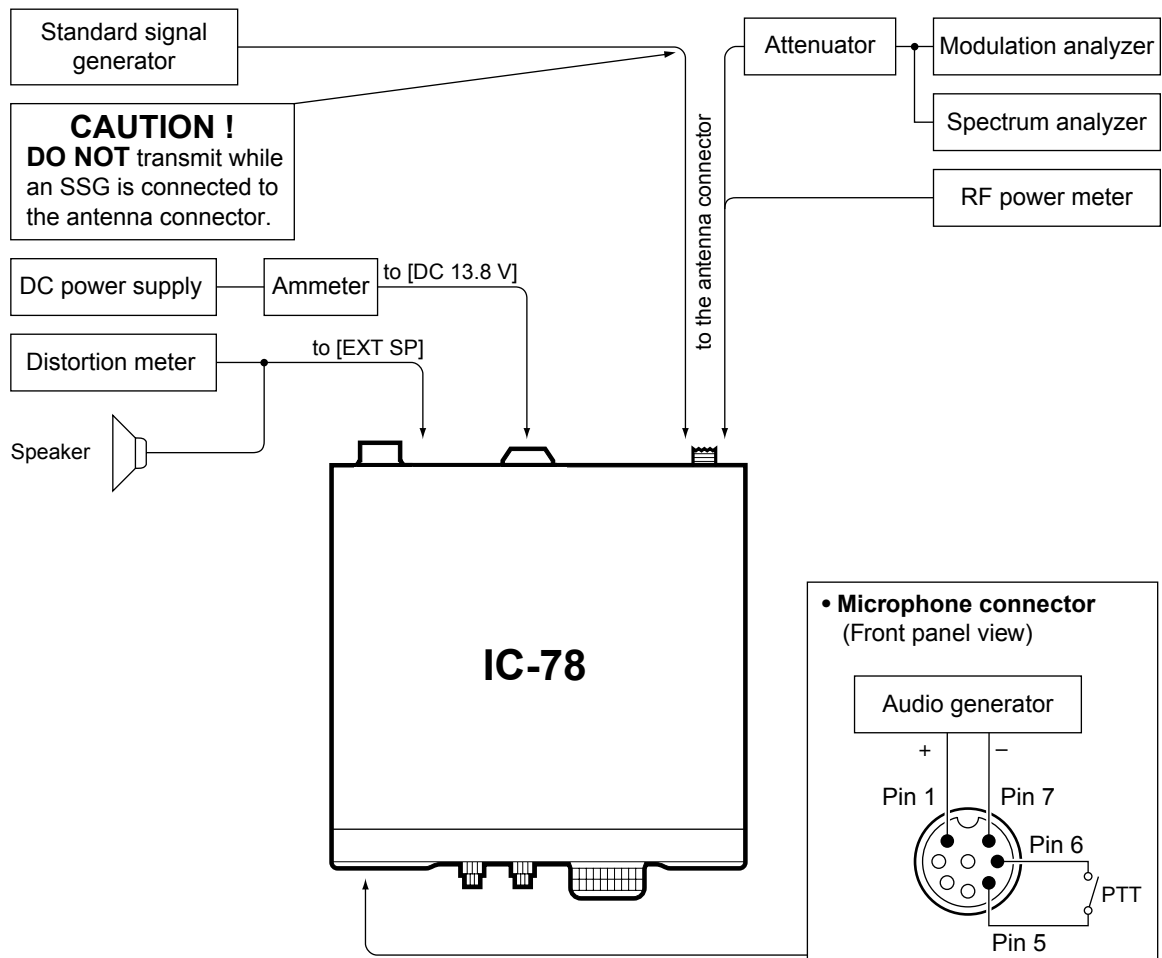
SECTION 5 ADJUSTMENT PROCEDURES

5-1 PREPARATION BEFORE SERVING

■ REQUIRED TEST EQUIPMENTS

EQUIPMENT	GRADE AND RANGE	EQUIPMENT	GRADE AND RANGE
DC power supply	Output voltage : 13.8 V DC Current capacity : 30 A or more	Spectrum analyzer	Frequency range : 90 MHz and above Spectrum bandwidth : 100 kHz or more
RF power meter (terminated type)	Measuring range : 10–200 W Frequency range : 1.8–30 MHz Impedance : 50 Ω SWR : Less than 1.2 : 1	Standard signal generator (SSG)	Frequency range : 0.1–100 MHz Output level : 0.1 μV–32 mV (–127 to –17 dBm)
Frequency counter	Frequency range : 0.1–100 MHz Frequency accuracy : ±0.5 ppm or better Sensitivity : 100 mV or better	AC millivoltmeter	Measuring range : 10 mV to 10 V
		DC voltmeter	Input impedance : 50 kΩ/V DC or better
		DC ammeter	Measurement range : 1 A and 30 A
RF voltmeter	Frequency range : 0.1–100 MHz Measuring range : 0.01–10 V	Audio generator	Frequency range : 300–3000 Hz Measuring range : 1–500 mV
Modulation analyzer	Frequency range : At least 30 MHz Measuring range : 0–100 %	Attenuator	Power attenuation : 50 or 60 dB Capacity : 150 W or more
Distortion meter	Frequency range : 1 kHz ±10 % Measuring range : 1–100 %	External speaker	Input impedance : 8 Ω Capacity : 5 W or more
Oscilloscope	Frequency range : DC–20 MHz Measuring range : 0.01–10 V	Terminator	Impedance : 50 and 150 Ω Capacity : 150 W or more
Digital multimeter	Input impedance : 10 M Ω/DC or better		

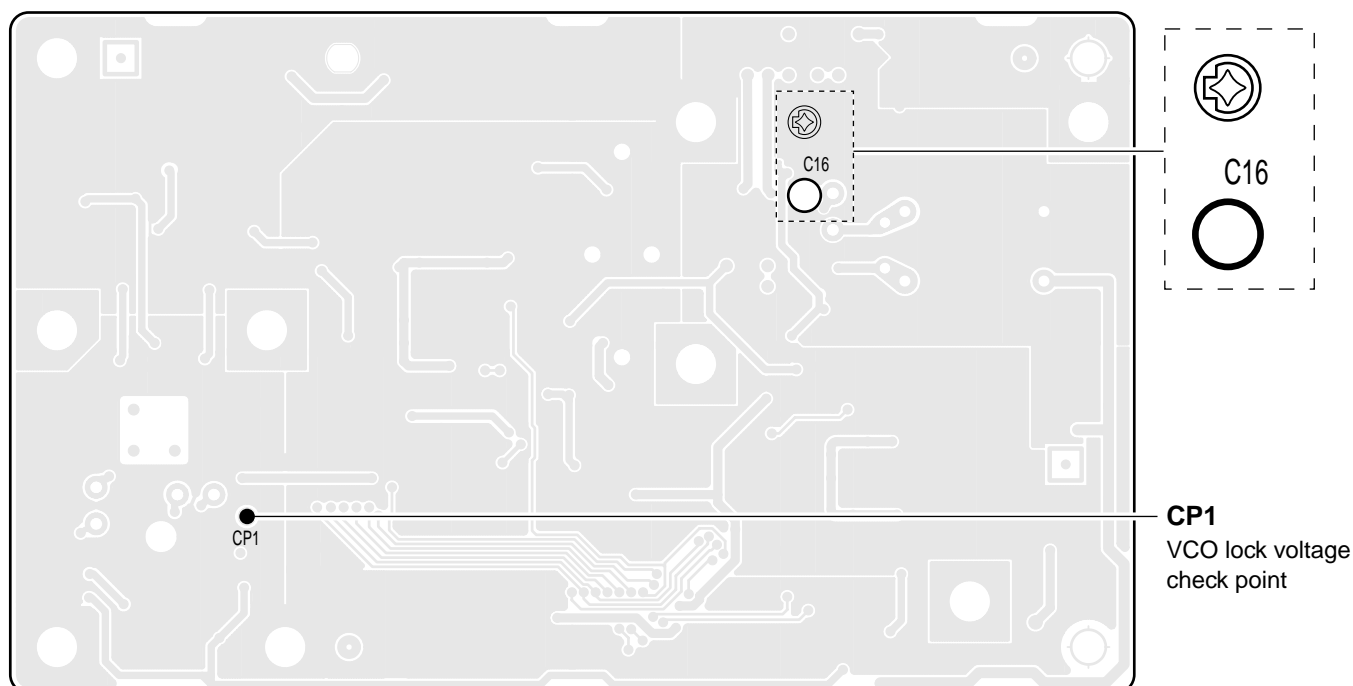
• CONNECTIONS



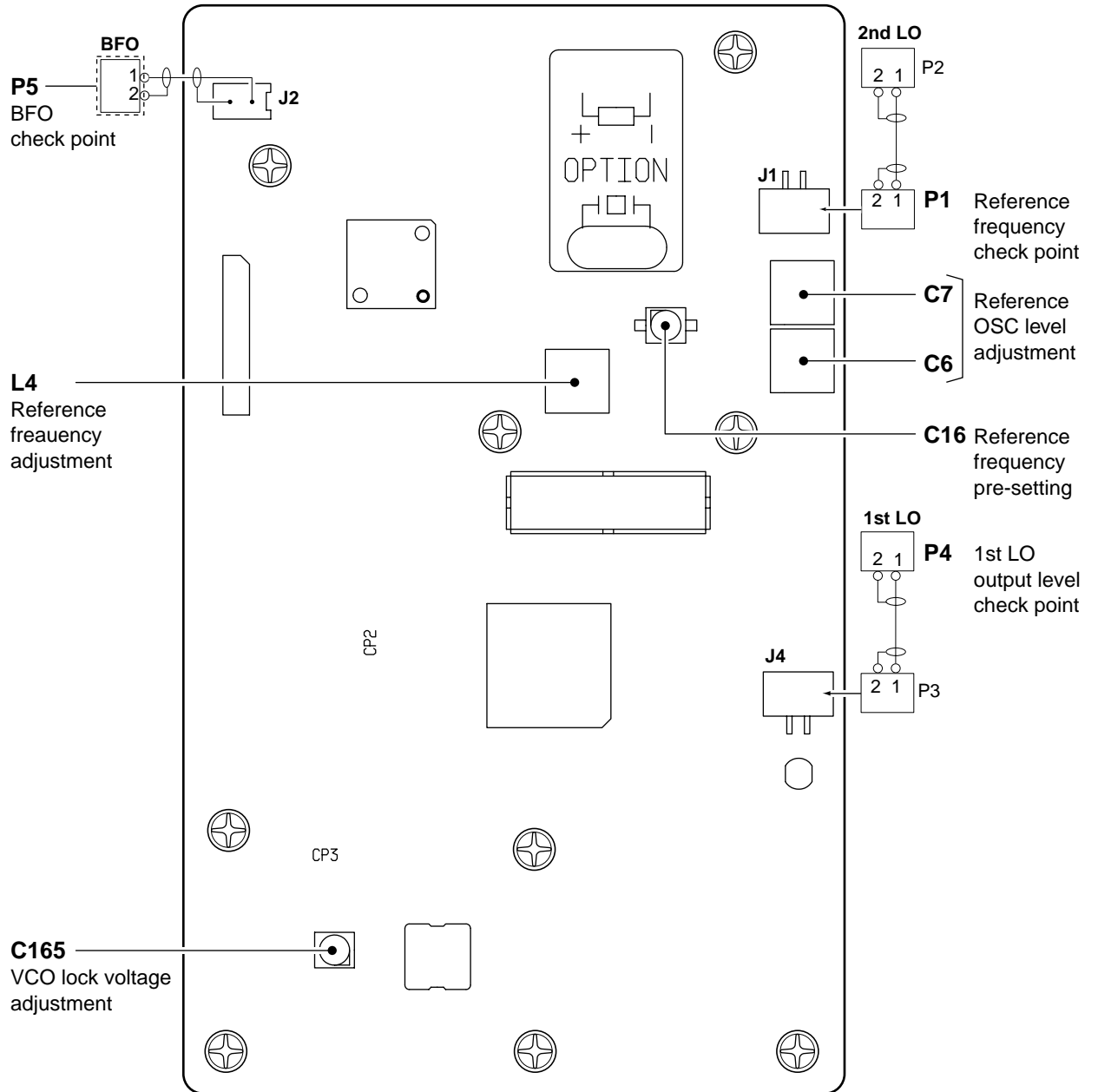
5-2 PLL ADJUSTMENTS

ADJUSTMENT	ADJUSTMENT CONDITION	MEASUREMENT		VALUE	ADJUSTMENT POINT		
		UNIT	LOCATION		UNIT	ADJUST	
REFERENCE FREQUENCY	1	<ul style="list-style-type: none"> • Display frequency: Any • Set C16 as illustration at below. • Receiving 	PLL	Connect a frequency counter to check point P1.	Turn L6, L7 on the PLL unit to downside for presetting until the frequency counter reads frequency.		
	2				64.00000 MHz	PLL	L4
	3				Maximum level		L6, L7
VCO LOCK VOLTAGE	1	<ul style="list-style-type: none"> • Display frequency: 29.99999 MHz • Receiving 	PLL	Connect a digital multimeter or oscilloscope to check point CP1.	4.15 V	PLL	C165
	2				More than 0.8 V		Verify
1ST LO OUTPUT LEVEL	1	<ul style="list-style-type: none"> • Display frequency: 29.99999 MHz • Mode : USB • Receiving 	PLL	Connect an RF voltmeter to check point P4.	-3 dBm to +3dBm		Verify
	2				<ul style="list-style-type: none"> • Display frequency: 0.03000 MHz • Mode : LSB • Receiving 		
2ND LO OUTPUT LEVEL	1	<ul style="list-style-type: none"> • Display frequency: 14.10000 MHz • Mode : USB • Receiving 	PLL	Connect an RF voltmeter to check point P1.	-2 dBm to +4 dBm		Verify
BFO OUTPUT	1	<ul style="list-style-type: none"> • Display frequency: 14.10000 MHz • Mode : USB • Receiving 	PLL	Connect an RF voltmeter to check point P5.	-18 dBm to -12 dBm		Verify
	2				Connect a frequency counter to check point P5.	456.5 kHz	
	3	<ul style="list-style-type: none"> • Mode : AM • Receiving 		No output			

• PLL unit (bottom view)



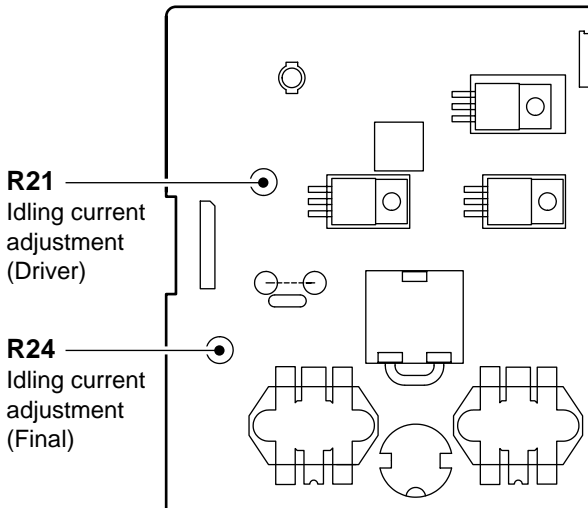
• PLL unit



5-3 TRANSMITTER ADJUSTMENTS

ADJUSTMENT	ADJUSTMENT CONDITION	MEASUREMENT		VALUE	ADJUSTMENT POINT		
		UNIT	LOCATION		UNIT	ADJUST	
IDLING CURRENT (for driver)	1	<ul style="list-style-type: none"> • Display frequency: 12.23000 MHz • Mode : USB • RF power : Minimum (L) • Mic gain : Minimum (0) • Disconnect J3601 (MAIN unit) and preset R21, R24 (PA unit) to max. counter clockwise. • Transmitting 	PA	Connect an ammeter (3 A) between power supply and the IC-78.	At the point where the Tx current increases 250 mA.	PA	R21
	(for final amplifier)	2	<ul style="list-style-type: none"> • Transmitting 				
After adjustment, connect J3601 on the MAIN unit.							
SWR DETECTOR	1	<ul style="list-style-type: none"> • Display frequency: 12.23000 MHz • Mode : USB • RF power : Maximum (H) • Connect J4 (FILTER unit) to GND. • Connect an audio generator to [MIC] connector and set as: Frequency : 1.5 kHz Level : 30 mVrms • Transmitting 	Rear panel	Connect an RF power meter to [ANT] connector.	100 W	Front panel	Mic gain control in the quick set mode
	2	<ul style="list-style-type: none"> • Transmitting 	FILTER	Connect a digital multimeter or oscilloscope to J5.	Minimum voltage	FILTER	C17
After adjustment, disconnect J4 on the FILTER unit from GND.							
TRANSMITTER TOTAL GAIN	1	<ul style="list-style-type: none"> • Display frequency: 12.23000 MHz • Mode : USB • RF power : Maximum (H) • Mic gain : Center (50) • R2701 (MAIN unit): Center • Connect an audio generator to [MIC] connector and set as: Frequency : 1.5 kHz Level : 3 mVrms • Transmitting 	Rear panel	Connect an RF power meter to [ANT] connector.	Maximum output power	MAIN	L106, L151, L301, L302, L303, L501
	2	<ul style="list-style-type: none"> • Transmitting 					50 W
OUTPUT POWER	1	<ul style="list-style-type: none"> • Display frequency: 12.23000 MHz • Mode : USB • RF power : Maximum (H) • MIC gain : Center (50) • Connect an audio generator to [MIC] connector and set as: Frequency : 1.5 kHz Level : 30 mVrms • Transmitting 	Rear panel	Connect an RF power meter to [ANT] connector.	105 W	MAIN	R1707
Ic APC	1	<ul style="list-style-type: none"> • Display frequency: 24.9000 MHz • Mode : USB • Connect CP4002 (MAIN unit) to GND. • RF power : Maximum (H) • Mic gain : Center (50) • Connect an audio generator to [MIC] connector and set as: Frequency : 1.5 kHz Level : 30 mVrms • Transmitting 	Rear panel	Connect an ammeter (30A) between power supply and the IC-78.	22 A	MAIN	R1720
	After adjustment, disconnect CP4002 on the MAIN unit from GND.						

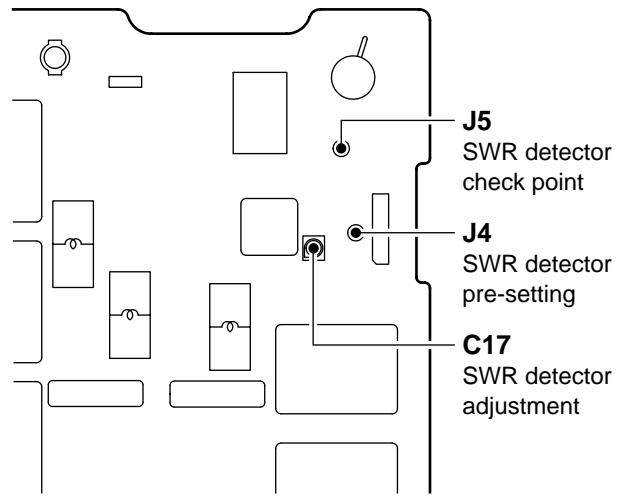
• PA unit



R21
Idling current
adjustment
(Driver)

R24
Idling current
adjustment
(Final)

• FILTER unit

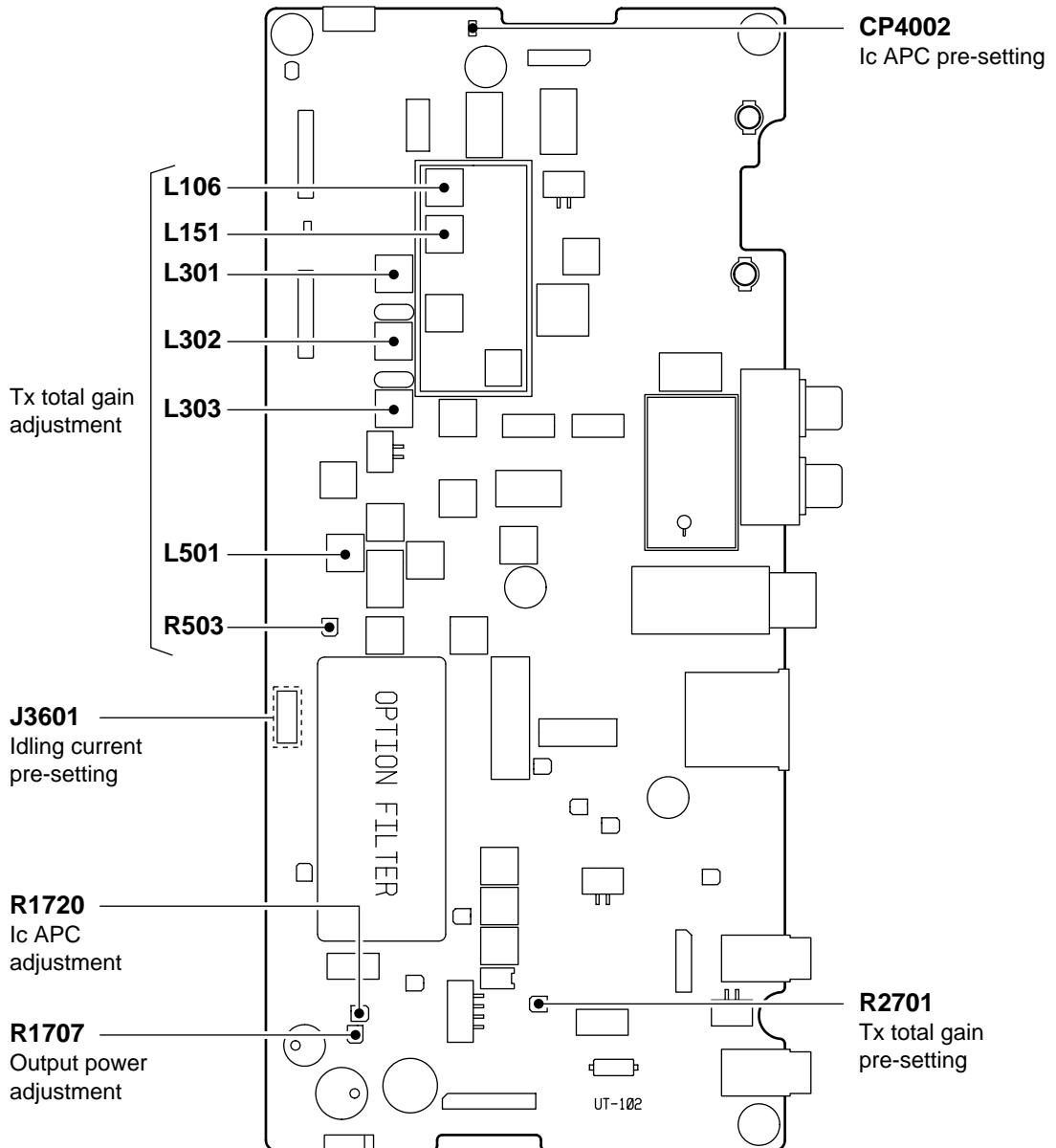


J5
SWR detector
check point

J4
SWR detector
pre-setting

C17
SWR detector
adjustment

• MAIN unit



Tx total gain
adjustment

L106

L151

L301

L302

L303

L501

R503

J3601
Idling current
pre-setting

R1720
Ic APC
adjustment

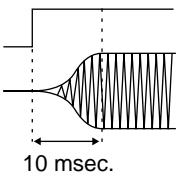
R1707
Output power
adjustment

CP4002
Ic APC pre-setting

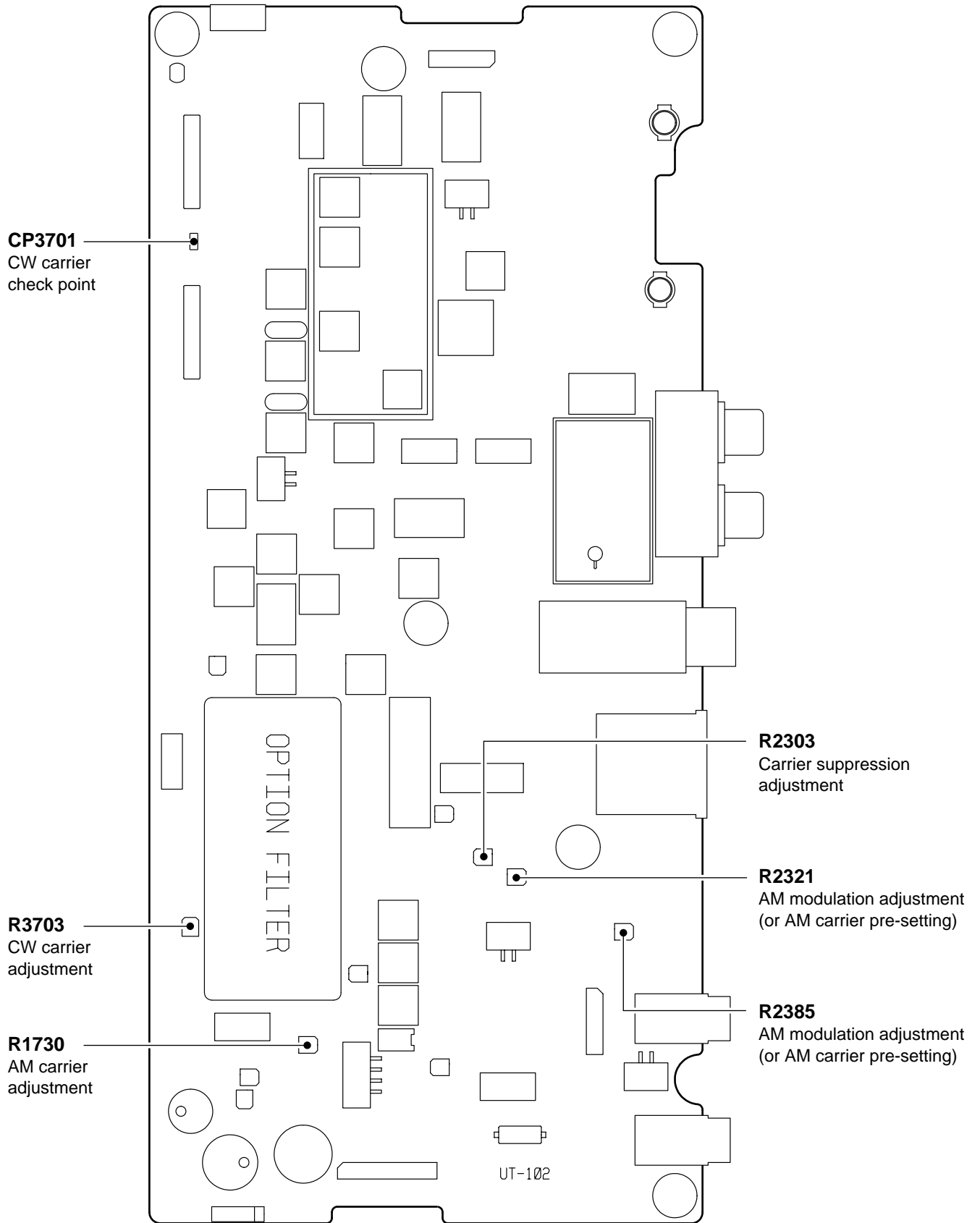
R2701
Tx total gain
pre-setting

UT-102

TRANSMITTER ADJUSTMENTS—continued

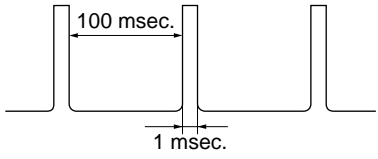
ADJUSTMENT	ADJUSTMENT CONDITION	MEASUREMENT		VALUE	ADJUSTMENT POINT	
		UNIT	LOCATION		UNIT	ADJUST
CARRIER SUPPRESSION	1 <ul style="list-style-type: none"> • Display frequency: 12.23000 MHz • Mode : USB • Mic gain : Minimum (0) • Apply no audio signals to [MIC] connector. • Transmitting 	Rear panel	Connect a spectrum analyzer to the [ANT] connector through an attenuator.	Minimum carrier level	MAIN	R2303
AM CARRIER	1 <ul style="list-style-type: none"> • Display frequency: 12.23000 MHz • Mode : AM • RF power : Maximum (H) • Mic gain : Minimum (0) • R2321 (MAIN unit): Center • R2385 (MAIN unit): Center • Apply no audio signals to [MIC] connector. • Transmitting 	Rear panel	Connect an RF power meter to [ANT] connector.	40 W	MAIN	R1730
AM MODULATION	1 <ul style="list-style-type: none"> • Display frequency: 12.23000 MHz • Mode : AM • RF power : Maximum (H) • Mic gain : Center (50) • R2385 (MAIN unit): 9 o'clock • Connect an audio generator to [MIC] connector and set as: Frequency : 1 kHz Level : 30 mVrms • Transmitting 	Rear panel	Connect a modulation analyzer to the [ANT] connector through an attenuator.	70% modulation	MAIN	R2321
	2 <ul style="list-style-type: none"> • Set an AG as: Frequency : 1 kHz Level : 3 mVrms • Transmitting 			90% modulation		R2385
CW CARRIER	1 <ul style="list-style-type: none"> • Display frequency: 12.23000 MHz • Mode : CW • RF power : Maximum (H) • Connect a keyer to the [KEY] jack. • Key down (transmitting) 	MAIN	Connect an oscilloscope to CP3701 and [ANT] connector.	Adjust as follows: <div style="text-align: center;"> <p>Keying (CP3701)</p>  </div>	MAIN	R3703

• MAIN unit



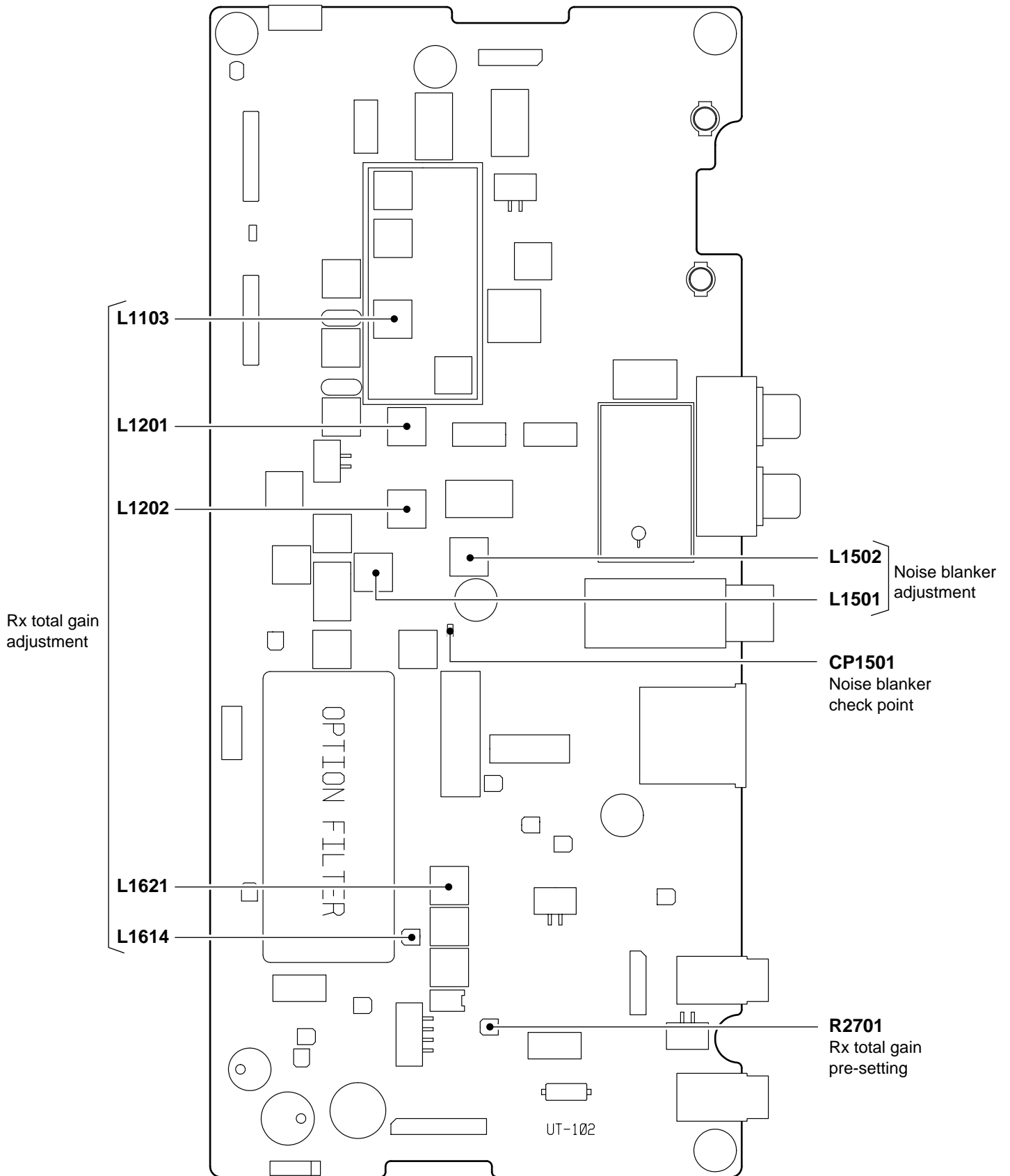
5-4 RECEIVER ADJUSTMENTS

Receiver total gain adjustment must perform after transmitter total gain adjustment.

ADJUSTMENT	ADJUSTMENT CONDITION	MEASUREMENT		VALUE	ADJUSTMENT POINT	
		UNIT	LOCATION		UNIT	ADJUST
RECEIVER TOTAL GAIN	1 <ul style="list-style-type: none"> • R2701 (MAIN unit): Center • Turn R1614 (MAIN unit) to 90° counter clockwise from center position. • Display frequency: 14.10000 MHz • Mode : USB • [RIT] : OFF (Center) • [NB] : OFF • [P.AMP] : ON • [ATT] : OFF • Connect a standard signal generator to [ANT] connector and set as: <ul style="list-style-type: none"> Frequency : 14.10150 MHz Level : 1.0 μV* (-107 dBm) Modulation: OFF • Receiving 	Rear panel	Connect an AC millivolt meter to [EXT SP] connector with an 8 Ω load.	Maximum audio output level	MAIN	Adjust in sequence L1103, L1201, L1202, L1621 several times.
	2 <ul style="list-style-type: none"> • [P.AMP] : OFF • [ATT] : OFF • Set an SSG as: <ul style="list-style-type: none"> Level : 1.0 mV* (-47 dBm) and OFF • Receiving 					
NOISE BLANKER	1 <ul style="list-style-type: none"> • Display frequency: 14.10000 MHz • Mode : USB • [P.AMP] : ON • [NB] : OFF • Connect an SSG to [ANT] connector and set as: <ul style="list-style-type: none"> Frequency : 14.10150 MHz Level : 3.2 μV* (-97 dBm) Modulation: OFF and apply following signal to [ANT] connector.  <ul style="list-style-type: none"> • Receiving 	MAIN	Connect an oscilloscope to check point CP1501.	Maximum noise waveform	MAIN	L1501, L1502
	2 <ul style="list-style-type: none"> • [NB] : ON • Receiving 					

*This output level of a standard signal generator (SSG) is indicated as SSG's open circuit.

• MAIN unit



5-5 SET MODE ADJUSTMENT

ADJUSTMENT	ADJUSTMENT CONDITION	DISPLAY	OPERATION
ENTERING SET MODE ADJUSTMENT FOR RX	1 <ul style="list-style-type: none"> • Enter set mode adjustment for RX: <ol style="list-style-type: none"> ① Turn power OFF. ② Terminate the [REMOTE] jack with a 3.5(d) mm mini-plug. ③ While pushing [MODE] and [TONE] keys, turn power ON. 	--RX--	Push [SET] key to enter the RX setting. Or push [UP] key to skip the set mode adjustment for RX.
VOLUME CENTER	1 <ul style="list-style-type: none"> • Set the [RIT] and [SHIFT] controls to center. 	RIT/SHIFT	Push and hold [SET] key to set the volume center positions.
	2	Good	Verify the display shows "Good", then push [UP] key to enter the "S METER" adjustment.
S METER	1 <ul style="list-style-type: none"> • Connect a standard signal generator to [ANT] and set as : <ul style="list-style-type: none"> Frequency : 14.15150 MHz Level : OFF • Receiving 	S0 LEVEL	Push [SET] key to set the "S0 level".
	2 <ul style="list-style-type: none"> • Set an SSG as : <ul style="list-style-type: none"> Level : 50 μV (-73 dBm) Modulation : OFF • Receiving 	S9 LEVEL	Push [SET] key to set the "S9 level".
	3 <ul style="list-style-type: none"> • Set an SSG as : <ul style="list-style-type: none"> Level : 50 mV (-13 dBm) Modulation : OFF • Receiving 	+60 LEVEL	Push [SET] key to set the "+60 dB level". Push [UP] key to return the set mode adjustment for RX.
SET MODE ADJUSTMENT FOR TX	1 <ul style="list-style-type: none"> • Push [UP] to enter the set mode adjustment for TX. 	--TX--	Push [SET] key to enter the TX setting.
FILTER CALIBRATION	1 <ul style="list-style-type: none"> • Connect an RF power meter to [ANT] connector. 	FIL CAL	Push [SET] key to make the calibration. • Transceiver transmits for a while.
POWER METER	1 <ul style="list-style-type: none"> • Connect an RF power meter to [ANT] connector. • Connect an audio generator to [MIC] jack and set as: <ul style="list-style-type: none"> Frequency : 1.5 kHz Level : 30 mVrms 	P0 90W	Push [SET] key to transmit. • Transceiver transmits automatically. Set to 90 W using [MAIN DIAL], then push [SET] key while transmitting.
	2	P0 50W	Set to 50 W using [MAIN DIAL], then push [SET] key while transmitting.
	3	P0 10W	Set to 10 W using [MAIN DIAL], then push [SET] key while transmitting. Push [UP] key to enter the "ALC METER" adjustment.
ALC METER	1 <ul style="list-style-type: none"> • Connect an RF power meter to [ANT] connector. • Connect an audio generator to [MIC] jack and set as: <ul style="list-style-type: none"> Frequency : 1.5 kHz Level : 30 mVrms 	AL -M SET	Push [SET] key to set ALC reference level. • Transceiver transmits automatically.
		ALC STRT	Push [UP] key to enter the "SWR METER" adjustment.

SET MODE ADJUSTMENT —continued

ADJUSTMENT	ADJUSTMENT CONDITION	DISPLAY	OPERATION
SWR METER	1 • Connect a 50 Ω dummy load or power meter to [ANT] connector.	SWR SET	Transmit using an external PTT switch to set SWR reference level after pushing [SET].
	SWR 1 Ld		
	2 • Connect a 100 Ω dummy load or power meter to [ANT] connector.	SWR 2 Ld	Transmit using an external PTT switch to set SWR2 level after pushing [SET]. • The display returns to the same as the set mode adjustment for TX.

SECTION 6

PARTS LIST

[LOGIC UNIT]

REF NO.	ORDER NO.		DESCRIPTION
IC1	1140009161	S.IC	HD6433837SD17HV
IC2	1130011332	S.IC	CAT25320VI-GT3
IC3	1110005771	S.IC	S-80942CNMC-G9CT2G
IC5	1180000421	S.IC	TA78L05F (TE12R,F)
IC6	1180001071	S.IC	TA7805F (TE16L,Q)
IC7	1130013870	S.IC	NJU6445FCI
IC11	1130008511	S.IC	TC7W53FU (TE12L,F)
IC12	1130006891	S.IC	TC7S04FU (TE85R,F)
IC103	1130005721	S.IC	TC7W04F (TE12L,F)
Q1	1590000680	S.TR	DTC114EUA T106
Q2	1530002060	S.TR	2SC4081 T106 R
Q3	1590001330	S.TR	DTA114EUA T106
Q70	1540000441	S.TR	2SD1619T-TD-E
Q71	1590000680	S.TR	DTC114EUA T106
Q72	1590000680	S.TR	DTC114EUA T106
Q102	1590001650	S.TR	XP4601 (TX)
Q103	1590000680	S.TR	DTC114EUA T106
Q104	1590000680	S.TR	DTC114EUA T106
Q105	1590000680	S.TR	DTC114EUA T106
Q106	1590001330	S.TR	DTA114EUA T106
D1	1160000070	S.DIO	DAN202K T146
D30	1160000070	S.DIO	DAN202K T146
D31	1160000070	S.DIO	DAN202K T146
D32	1750000550	S.DIO	1SS355 TE-17
D33	1160000070	S.DIO	DAN202K T146
D34	1750000550	S.DIO	1SS355 TE-17
D35	1160000070	S.DIO	DAN202K T146
D36	1750000550	S.DIO	1SS355 TE-17
D37	1160000070	S.DIO	DAN202K T146
D38	1750000550	S.DIO	1SS355 TE-17
D39	1160000070	S.DIO	DAN202K T146
D40	1750000550	S.DIO	1SS355 TE-17
D41	1160000070	S.DIO	DAN202K T146
D42	1750000550	S.DIO	1SS355 TE-17
D43	1160000070	S.DIO	DAN202K T146
D44	1750000550	S.DIO	1SS355 TE-17
D45	1160000070	S.DIO	DAN202K T146
D46	1730002531	S.ZEN	NNCD6.2G-T1-A
D47	1750000550	S.DIO	1SS355 TE-17
D48	1750000550	S.DIO	1SS355 TE-17
D49	1750000550	S.DIO	1SS355 TE-17
D51	1750000550	S.DIO	1SS355 TE-17
D52	1750000550	S.DIO	1SS355 TE-17
D53	1750000550	S.DIO	1SS355 TE-17
D54	1750000550	S.DIO	1SS355 TE-17
D55	1750000550	S.DIO	1SS355 TE-17
D102	1750000550	S.DIO	1SS355 TE-17
D120	1750000370	S.DIO	DA221 TL
D121	1750000370	S.DIO	DA221 TL
D122	1750000370	S.DIO	DA221 TL
D123	1750000370	S.DIO	DA221 TL
D124	1750000370	S.DIO	DA221 TL
X1	6050009870	S.XTL	CR-567 (9.8304 MHz)
L1	6200001831	S.COL	NLV32T-100J
L2	6200001831	S.COL	NLV32T-100J
L40	6200003261	S.COL	NLV32T-101J
L41	6200002041	S.COL	NLV25T-101J
L42	6200002041	S.COL	NLV25T-101J
L43	6200003950	S.COL	HF50ACC 322513-T
L44	6200009300	S.COL	ELJPA 100KF 10U
L47	6200003950	S.COL	HF50ACC 322513-T
L48	6200003950	S.COL	HF50ACC 322513-T
L49	6200003950	S.COL	HF50ACC 322513-T
L100	6200003261	S.COL	NLV32T-101J
L101	6200003950	S.COL	HF50ACC 322513-T
L102	6200003950	S.COL	HF50ACC 322513-T
L103	6200003950	S.COL	HF50ACC 322513-T
L104	6200003950	S.COL	HF50ACC 322513-T
R1	7030003800	S.RES	ERJ3GEYJ 105 V (1 M)
R2	7030003600	S.RES	ERJ3GEYJ 223 V (22 k)
R3	7030003560	S.RES	ERJ3GEYJ 103 V (10 k)
R4	7030003560	S.RES	ERJ3GEYJ 103 V (10 k)
R5	7030003560	S.RES	ERJ3GEYJ 103 V (10 k)
R7	7030003600	S.RES	ERJ3GEYJ 223 V (22 k)
R8	7030003560	S.RES	ERJ3GEYJ 103 V (10 k)
R9	7030003560	S.RES	ERJ3GEYJ 103 V (10 k)
R10	7030003680	S.RES	ERJ3GEYJ 104 V (100 k)
R11	7030003680	S.RES	ERJ3GEYJ 104 V (100 k)
R12	7030003680	S.RES	ERJ3GEYJ 104 V (100 k)
R13	7030003680	S.RES	ERJ3GEYJ 104 V (100 k)
R14	7030003680	S.RES	ERJ3GEYJ 104 V (100 k)
R15	7030003680	S.RES	ERJ3GEYJ 104 V (100 k)
R16	7030003680	S.RES	ERJ3GEYJ 104 V (100 k)
R17	7030003680	S.RES	ERJ3GEYJ 104 V (100 k)
R18	7030006220	S.RES	ERJ12J470U (47)
R19	7030007190	S.RES	ERJ12J220U (22)
R20	7030003640	S.RES	ERJ3GEYJ 473 V (47 k)
R21	7030003630	S.RES	ERJ3GEYJ 393 V (39 k)

[OTH-2], [OTH-3] only
 [OTH], [OTH-2], [CHN] only
 [OTH-2], [OTH-3] only

[LOGIC UNIT]

REF NO.	ORDER NO.		DESCRIPTION
R22	7030003440	S.RES	ERJ3GEYJ 102 V (1 k)
R24	7030003640	S.RES	ERJ3GEYJ 473 V (47 k)
R25	7030003640	S.RES	ERJ3GEYJ 473 V (47 k)
R26	7030003640	S.RES	ERJ3GEYJ 473 V (47 k)
R27	7030003640	S.RES	ERJ3GEYJ 473 V (47 k)
R30	7030003640	S.RES	ERJ3GEYJ 473 V (47 k)
R31	7030003640	S.RES	ERJ3GEYJ 473 V (47 k)
R32	7030003640	S.RES	ERJ3GEYJ 473 V (47 k)
R33	7030003640	S.RES	ERJ3GEYJ 473 V (47 k)
R34	7030003640	S.RES	ERJ3GEYJ 473 V (47 k)
R35	7030003640	S.RES	ERJ3GEYJ 473 V (47 k)
R36	7030003640	S.RES	ERJ3GEYJ 473 V (47 k)
R37	7030003640	S.RES	ERJ3GEYJ 473 V (47 k)
R38	7030003640	S.RES	ERJ3GEYJ 473 V (47 k)
R39	7030003640	S.RES	ERJ3GEYJ 473 V (47 k)
R40	7030003640	S.RES	ERJ3GEYJ 473 V (47 k)
R41	7030003640	S.RES	ERJ3GEYJ 473 V (47 k)
R42	7030003640	S.RES	ERJ3GEYJ 473 V (47 k)
R43	7030003640	S.RES	ERJ3GEYJ 473 V (47 k)
R44	7030003200	S.RES	ERJ3GEYJ 100 V (10)
R49	7030003680	S.RES	ERJ3GEYJ 104 V (100 k)
R54	7030003680	S.RES	ERJ3GEYJ 104 V (100 k)
R55	7030003640	S.RES	ERJ3GEYJ 473 V (47 k)
R56	7030003640	S.RES	ERJ3GEYJ 473 V (47 k)
R59	7030003560	S.RES	ERJ3GEYJ 103 V (10 k)
R62	7030003480	S.RES	ERJ3GEYJ 222 V (2.2 k)
R63	7030003480	S.RES	ERJ3GEYJ 222 V (2.2 k)
R70	7030003380	S.RES	ERJ3GEYJ 331 V (330)
R71	7030003410	S.RES	ERJ3GEYJ 561 V (560)
R72	7030003430	S.RES	ERJ3GEYJ 821 V (820)
R73	7030003540	S.RES	ERJ3GEYJ 682 V (6.8 k)
R74	7030003440	S.RES	ERJ3GEYJ 102 V (1 k)
R75	7030010420	S.RES	ERJ1TYJ 560U (56)
R100	7030003680	S.RES	ERJ3GEYJ 104 V (100 k)
R101	7030003680	S.RES	ERJ3GEYJ 104 V (100 k)
R102	7030003680	S.RES	ERJ3GEYJ 104 V (100 k)
R103	7030003590	S.RES	ERJ3GEYJ 183 V (18 k)
R104	7030003540	S.RES	ERJ3GEYJ 682 V (6.8 k)
R105	7030003620	S.RES	ERJ3GEYJ 333 V (33 k)
R106	7030003640	S.RES	ERJ3GEYJ 473 V (47 k)
R107	7030003600	S.RES	ERJ3GEYJ 223 V (22 k)
R108	7030003380	S.RES	ERJ3GEYJ 331 V (330)
R111	7030003640	S.RES	ERJ3GEYJ 473 V (47 k)
R112	7030003640	S.RES	ERJ3GEYJ 473 V (47 k)
R113	7030003600	S.RES	ERJ3GEYJ 223 V (22 k)
R114	7030003600	S.RES	ERJ3GEYJ 223 V (22 k)
R115	7030003640	S.RES	ERJ3GEYJ 473 V (47 k)
R116	7030003560	S.RES	ERJ3GEYJ 103 V (10 k)
R117	7030003560	S.RES	ERJ3GEYJ 103 V (10 k)
R118	7030003640	S.RES	ERJ3GEYJ 473 V (47 k)
R119	7030003640	S.RES	ERJ3GEYJ 473 V (47 k)
R126	7030003360	S.RES	ERJ3GEYJ 221 V (220)
R127	7030003360	S.RES	ERJ3GEYJ 221 V (220)
R128	7030003360	S.RES	ERJ3GEYJ 221 V (220)
R129	7030003360	S.RES	ERJ3GEYJ 221 V (220)
R130	7030003360	S.RES	ERJ3GEYJ 221 V (220)
R131	7030003440	S.RES	ERJ3GEYJ 102 V (1 k)
R132	7030003440	S.RES	ERJ3GEYJ 102 V (1 k)
R133	7030003360	S.RES	ERJ3GEYJ 221 V (220)
R134	7030003360	S.RES	ERJ3GEYJ 221 V (220)
R135	7030003640	S.RES	ERJ3GEYJ 473 V (47 k)
R136	7030003640	S.RES	ERJ3GEYJ 473 V (47 k)
R137	7030003640	S.RES	ERJ3GEYJ 473 V (47 k)
R138	7030003640	S.RES	ERJ3GEYJ 473 V (47 k)
R139	7030003640	S.RES	ERJ3GEYJ 473 V (47 k)
R141	7030003640	S.RES	ERJ3GEYJ 473 V (47 k)
R142	7030003640	S.RES	ERJ3GEYJ 473 V (47 k)
R143	7030003640	S.RES	ERJ3GEYJ 473 V (47 k)
R144	7030003640	S.RES	ERJ3GEYJ 473 V (47 k)
R145	7030003640	S.RES	ERJ3GEYJ 473 V (47 k)
R146	7030003640	S.RES	ERJ3GEYJ 473 V (47 k)
R147	7030003640	S.RES	ERJ3GEYJ 473 V (47 k)
R148	7030003640	S.RES	ERJ3GEYJ 473 V (47 k)
R149	7030003640	S.RES	ERJ3GEYJ 473 V (47 k)
R150	7030003360	S.RES	ERJ3GEYJ 221 V (220)
R151	7030003360	S.RES	ERJ3GEYJ 221 V (220)
R153	7030003360	S.RES	ERJ3GEYJ 221 V (220)
R154	7030003360	S.RES	ERJ3GEYJ 221 V (220)
R156	7030003360	S.RES	ERJ3GEYJ 221 V (220)
R158	7030003360	S.RES	ERJ3GEYJ 221 V (220)
R160	7030003360	S.RES	ERJ3GEYJ 221 V (220)
R161	7030003360	S.RES	ERJ3GEYJ 221 V (220)
R162	7030003360	S.RES	ERJ3GEYJ 221 V (220)
R163	7030003360	S.RES	ERJ3GEYJ 221 V (220)
R164	7030003360	S.RES	ERJ3GEYJ 221 V (220)
R165	7030003560	S.RES	ERJ3GEYJ 103 V (10 k)
R166	7030003360	S.RES	ERJ3GEYJ 221 V (220)
R169	7030003360	S.RES	ERJ3GEYJ 221 V (220)
R171	7030003360	S.RES	ERJ3GEYJ 221 V (220)
R172	7030003360	S.RES	ERJ3GEYJ 221 V (220)
R173	7030003360	S.RES	ERJ3GEYJ 221 V (220)
R174	7030003360	S.RES	ERJ3GEYJ 221 V (220)
R175	7030003360	S.RES	ERJ3GEYJ 221 V (220)
R176	7030003360	S.RES	ERJ3GEYJ 221 V (220)
R177	7030003360	S.RES	ERJ3GEYJ 221 V (220)
R179	7030003640	S.RES	ERJ3GEYJ 473 V (47 k)
R180	7030003640	S.RES	ERJ3GEYJ 473 V (47 k)
R182	7030003640	S.RES	ERJ3GEYJ 473 V (47 k)

M.=Mounted side (T: Mounted on the Top side, B: Mounted on the Bottom side)
 S.=Surface mount

[LOGIC UNIT]

REF NO.	ORDER NO.	DESCRIPTION
R185	7030003640	S.RES ERJ3GEYJ 473 V (47 k)
R186	7030003360	S.RES ERJ3GEYJ 221 V (220)
R188	7030003520	S.RES ERJ3GEYJ 472 V (4.7 k)
R190	7030003440	S.RES ERJ3GEYJ 102 V (1 k)
R191	7030003440	S.RES ERJ3GEYJ 102 V (1 k)
R193	7030003360	S.RES ERJ3GEYJ 221 V (220)
R195	7030003640	S.RES ERJ3GEYJ 473 V (47 k)
R196	7030003640	S.RES ERJ3GEYJ 473 V (47 k)
R197	7030003480	S.RES ERJ3GEYJ 222 V (2.2 k)
R198	7030003480	S.RES ERJ3GEYJ 222 V (2.2 k)
R199	7030003430	S.RES ERJ3GEYJ 821 V (820)
R201	7030003440	S.RES ERJ3GEYJ 102 V (1 k)
R211	7030003640	S.RES ERJ3GEYJ 473 V (47 k)
R212	7030003360	S.RES ERJ3GEYJ 221 V (220)
C1	4030007030	S.CER C1608 CH 1H 150J-T
C2	4030007030	S.CER C1608 CH 1H 150J-T
C3	4030006900	S.CER C1608 JB 1E 103K-T
C4	4030011600	S.CER C1608 JB 1E 104K-T
C5	4510008540	S.ELE EEE1CA100SR
C6	4030011600	S.CER C1608 JB 1E 104K-T
C7	4510008550	S.ELE EEE1HA010SR
C8	4030011600	S.CER C1608 JB 1E 104K-T
C9	4030006900	S.CER C1608 JB 1H 103K-T
C11	4030011600	S.CER C1608 JB 1E 104K-T
C12	4510008540	S.ELE EEE1CA100SR
C13	4510008540	S.ELE EEE1CA100SR
C14	4030011600	S.CER C1608 JB 1E 104K-T
C15	4030011600	S.CER C1608 JB 1E 104K-T
C16	4510008540	S.ELE EEE1CA100SR
C17	4510008540	S.ELE EEE1CA100SR
C18	4030011600	S.CER C1608 JB 1E 104K-T
C19	4510008540	S.ELE EEE1CA100SR
C20	4030011600	S.CER C1608 JB 1E 104K-T
C21	4030011600	S.CER C1608 JB 1E 104K-T
C22	4030011600	S.CER C1608 JB 1E 104K-T
C42	4030006880	S.CER C1608 JB 1H 472K-T
C43	4030006880	S.CER C1608 JB 1H 472K-T
C44	4030006880	S.CER C1608 JB 1H 472K-T
C45	4030006880	S.CER C1608 JB 1H 472K-T
C46	4030006880	S.CER C1608 JB 1H 472K-T
C47	4030006880	S.CER C1608 JB 1H 472K-T
C101	4030011600	S.CER C1608 JB 1E 104K-T
C102	4030006860	S.CER C1608 JB 1H 102K-T
C103	4030009110	S.CER C3216 JB 1C 474K-T
C111	4030011600	S.CER C1608 JB 1E 104K-T
C112	4030011600	S.CER C1608 JB 1E 104K-T
C113	4030011600	S.CER C1608 JB 1E 104K-T
C114	4030011600	S.CER C1608 JB 1E 104K-T
J1	6510020421	S.CNR S4B-PH-SM4-TB (LF) (SN)
J3	6510022621	S.CNR 10FMN-BMTTR-A-TBT (LF) (SN)
J4	6510022621	S.CNR 10FMN-BMTTR-A-TBT (LF) (SN)
J5	6510022621	S.CNR 10FMN-BMTTR-A-TBT (LF) (SN)
J6	6510021721	S.CNR 30FLT-SM2-TB (LF) (SN)
J7	6510021721	S.CNR 30FLT-SM2-TB (LF) (SN)
J9	6510022611	S.CNR 16FMN-BMTTR-A-TBT (LF) (SN)
DS1	5030002490	LCD A0087A LCD
DS70	5040002940	S.LED TLYU1002A (T02)
DS71	5040002940	S.LED TLYU1002A (T02)
DS72	5040002940	S.LED TLYU1002A (T02)
DS73	5040002940	S.LED TLYU1002A (T02)
DS74	5040002940	S.LED TLYU1002A (T02)
DS75	5040002940	S.LED TLYU1002A (T02)
DS76	5040002940	S.LED TLYU1002A (T02)
DS77	5040002940	S.LED TLYU1002A (T02)
DS78	5040002940	S.LED TLYU1002A (T02)
DS79	5040002940	S.LED TLYU1002A (T02)
DS80	5040002940	S.LED TLYU1002A (T02)
DS81	5040002940	S.LED TLYU1002A (T02)
DS82	5040002940	S.LED TLYU1002A (T02)
DS83	5040002940	S.LED TLYU1002A (T02)
DS84	5040002940	S.LED TLYU1002A (T02)
DS85	5040002940	S.LED TLYU1002A (T02)
DS86	5040002940	S.LED TLYU1002A (T02)
DS87	5040002940	S.LED TLYU1002A (T02)
DS88	5040002940	S.LED TLYU1002A (T02)
DS89	5040002940	S.LED TLYU1002A (T02)
DS90	5040002940	S.LED TLYU1002A (T02)
W1	7030003860	S.RES ERJ3GE JPW V
W41	7030003860	S.RES ERJ3GE JPW V
W42	7030003860	S.RES ERJ3GE JPW V
W70	7030003860	S.RES ERJ3GE JPW V
W101	7030003860	S.RES ERJ3GE JPW V
W102	7030003860	S.RES ERJ3GE JPW V
EP2	6910012350	S.BEA MMZ1608Y 102BT
EP40	6910012350	S.BEA MMZ1608Y 102BT
EP45	6910012350	S.BEA MMZ1608Y 102BT
EP46	6910012350	S.BEA MMZ1608Y 102BT
EP70	8930051450	LCT SRCN-2241-SP-N-W
EP152	6910012350	S.BEA MMZ1608Y 102BT
EP155	6910012350	S.BEA MMZ1608Y 102BT
EP157	6910012350	S.BEA MMZ1608Y 102BT
EP159	6910012350	S.BEA MMZ1608Y 102BT

[MAIN UNIT]

REF NO.	ORDER NO.	DESCRIPTION
IC1	1110004080	S.IC uPC2709T-E3
IC1701	1110003870	S.IC NJM2058M-TE1
IC1751	1110002700	S.IC NJM2904M-TE1-#FMZB
IC2001	1110004870	S.IC TA4101F (TE12L,F)
IC2101	1110003870	S.IC NJM2058M-TE1
IC2102	1130005641	S.IC TC4W53F (TE12L,F)
IC2201	1140005281	S.IC uPC5023GS-077-E1-A
IC2301	1110004840	S.IC NJM1496V-TE1
IC2351	1110002700	S.IC NJM2904M-TE1-#FMZB
IC2701	1110003300	S.IC M5282FP 70CD
IC2702	1110001811	S.IC TA7368FG (5,ER)
IC2801	1130004201	S.IC TC4S66F (TE85R,F)
IC2901	1110003091	IC LA4425A-E
IC3001	1130007700	S.IC BU4094BCF-E2
IC3002	1160000131	S.IC TD62783AFG (S,EL)
IC3003	1160000131	S.IC TD62783AFG (S,EL)
IC3004	1130007700	S.IC BU4094BCF-E2
IC3005	1160000131	S.IC TD62783AFG (S,EL)
IC3006	1130007700	S.IC BU4094BCF-E2
IC3301	1110004310	S.IC M62352GP 75EC
IC3401	1110002031	IC TA7808S (Q)
IC3501	1110001401	S.IC uPC1555G2-E1-A
IC5601	1130004201	S.IC TC4S66F (TE85R,F)
Q101	1580000620	S.FET 3SK131-T2 MAS
Q102	1580000620	S.FET 3SK131-T2 MAS
Q151	1560001420	S.FET 2SK882-GR (T5LICOMF)
Q201	1530003151	S.TR 2SC4673D-TD-E
Q501	1590002310	S.TR DTC114EE TL
Q502	1560001420	S.FET 2SK882-GR (T5LICOMF)
Q503	1590002310	S.TR DTC114EE TL
Q511	1590002310	S.TR DTC114EE TL
Q701	1590002310	S.TR DTC114EE TL
Q1001	1510000510	S.TR 2SA1576A T106R
Q1002	1590002310	S.TR DTC114EE TL
Q1101	1560000641	S.FET 2SK1740-4/5-TB-E
Q1102	1560000641	S.FET 2SK1740-4/5-TB-E
Q1103	1560000641	S.FET 2SK1740-4/5-TB-E
Q1104	1560000641	S.FET 2SK1740-4/5-TB-E
Q1201	1580000620	S.FET 3SK131-T2 MAS
Q1301	1580000620	S.FET 3SK131-T2 MAS
Q1401	1560000721	S.FET 2SK2171-4-TD-E
Q1402	1560000721	S.FET 2SK2171-4-TD-E
Q1501	1560000561	S.FET 2SK882-GR (TE85L,F)
Q1502	1560000561	S.FET 2SK882-GR (TE85L,F)
Q1503	1560000561	S.FET 2SK882-GR (TE85L,F)
Q1504	1530002060	S.TR 2SC4081 T106 R
Q1505	1510000510	S.TR 2SA1576A T106R
Q1506	1590002310	S.TR DTC114EE TL
Q1507	1530002060	S.TR 2SC4081 T106 R
Q1508	1530002060	S.TR 2SC4081 T106 R
Q1509	1590001870	S.TR DTA114EE TL
Q1601	1530002060	S.TR 2SC4081 T106 R
Q1602	1560000561	S.FET 2SK882-GR (TE85L,F)
Q1603	1580000620	S.FET 3SK131-T2 MAS
Q1611	1530002060	S.TR 2SC4081 T106 R
Q1703	1510000510	S.TR 2SA1576A T106R
Q1705	1590002310	S.TR DTC114EE TL
Q1706	1590002310	S.TR DTC114EE TL
Q1801	1590001540	S.TR UMD6N TR
Q1802	1590001540	S.TR UMD6N TR
Q1803	1590001540	S.TR UMD6N TR
Q1805	1530002060	S.TR 2SC4081 T106 R
Q2201	1590002310	S.TR DTC114EE TL
Q2302	1590002310	S.TR DTC114EE TL
Q2381	1530002060	S.TR 2SC4081 T106 R
Q2383	1590002310	S.TR DTC114EE TL
Q2384	1590002310	S.TR DTC114EE TL
Q3101	1590002310	S.TR DTC114EE TL
Q3601	1540000550	S.TR 2SD1664 T100Q
Q3701	1590002310	S.TR DTC114EE TL
Q3702	1590001870	S.TR DTA114EE TL
Q3801	1590002310	S.TR DTC114EE TL
Q3802	1590001870	S.TR DTA114EE TL
Q4601	1540000441	S.TR 2SD1619T-TD-E
Q4801	1590002310	S.TR DTC114EE TL
D201	1790000620	S.DIO MA77 (TX)
D202	1790000620	S.DIO MA77 (TX)
D301	1790000620	S.DIO MA77 (TX)
D302	1790000620	S.DIO MA77 (TX)
D303	1790000620	S.DIO MA77 (TX)
D304	1790000620	S.DIO MA77 (TX)
D305	1790000620	S.DIO MA77 (TX)
D306	1790000620	S.DIO MA77 (TX)
D401	1750000431	S.DIO HSB88WSTR-E
D501	1160000070	S.DIO DAN202K T146
D502	1790001250	S.DIO MA2S111-(TX)
D503	1160000070	S.DIO DAN202K T146
D601	1160000080	S.DIO DAP202K T146
D602	1160000070	S.DIO DAN202K T146
D603	1160000080	S.DIO DAP202K T146
D604	1160000070	S.DIO DAN202K T146
D605	1160000080	S.DIO DAP202K T146
D606	1160000070	S.DIO DAN202K T146
D607	1160000080	S.DIO DAP202K T146
D608	1160000070	S.DIO DAN202K T146
D701	1750000641	S.DIO 1SV312 (TE85L,F)
D801	1750000641	S.DIO 1SV312 (TE85L,F)
D802	1750000641	S.DIO 1SV312 (TE85L,F)
D803	1790000620	S.DIO MA77 (TX)

[CHN], [CHN-01] only
[CHN], [CHN-01] only

[CHN], [CHN-01] only

M.=Mounted side (T: Mounted on the Top side, B: Mounted on the Bottom side)
S.=Surface mount

[MAIN UNIT]

REF NO.	ORDER NO.	DESCRIPTION
D804	1790000620	S.DIO MA77 (TX)
D805	1790000620	S.DIO MA77 (TX)
D806	1790000620	S.DIO MA77 (TX)
D807	1790000620	S.DIO MA77 (TX)
D808	1790000620	S.DIO MA77 (TX)
D809	1790000620	S.DIO MA77 (TX)
D810	1790000620	S.DIO MA77 (TX)
D811	1790000620	S.DIO MA77 (TX)
D812	1790000620	S.DIO MA77 (TX)
D813	1790000620	S.DIO MA77 (TX)
D814	1790000620	S.DIO MA77 (TX)
D815	1790000620	S.DIO MA77 (TX)
D816	1790000620	S.DIO MA77 (TX)
D901	1790000620	S.DIO MA77 (TX)
D902	1790000620	S.DIO MA77 (TX)
D903	1790000620	S.DIO MA77 (TX)
D904	1790000620	S.DIO MA77 (TX)
D1301	1790000620	S.DIO MA77 (TX)
D1302	1790000620	S.DIO MA77 (TX)
D1501	1790001211	S.DIO 1SS375-TL-E
D1503	1790001250	S.DIO MA2S111-(TX)
D1510	1790001250	S.DIO MA2S111-(TX)
D1631	1160000070	S.DIO DAN202K T146
D1632	1790000620	S.DIO MA77 (TX)
D1701	1730002450	S.ZEN MA8043-H (TX)
D1702	1730002450	S.ZEN MA8043-H (TX)
D1703	1790001250	S.DIO MA2S111-(TX)
D1704	1160000080	S.DIO DAP202K T146
D1705	1160000080	S.DIO DAP202K T146
D1706	1790001250	S.DIO MA2S111-(TX)
D1707	1790001250	S.DIO MA2S111-(TX)
D1801	1790001211	S.DIO 1SS375-TL-E
D1802	1790001250	S.DIO MA2S111-(TX)
D1803	1790001211	S.DIO 1SS375-TL-E
D1901	1790001211	S.DIO 1SS375-TL-E
D2101	1790001250	S.DIO MA2S111-(TX)
D2201	1750000370	S.DIO DA221 TL
D2202	1750000370	S.DIO DA221 TL
D2301	1790001250	S.DIO MA2S111-(TX)
D2381	1790001211	S.DIO 1SS375-TL-E
D2701	1160000080	S.DIO DAP202K T146
D3001	1160000070	S.DIO DAN202K T146
D3002	1160000070	S.DIO DAN202K T146
D3502	1750000370	S.DIO DA221 TL
D3503	1730002320	S.ZEN MA8051-M (TX)
D3701	1160000070	S.DIO DAN202K T146
D4220	1790001240	S.DIO MA2S728-(TX)
D4801	1790001250	S.DIO MA2S111-(TX)
FI301	2010002470	XTL FL-315 (64.45500 MHz)
FI611	2020000210	CER CFJ455K5 (FL-65)
FI1301	2020001330	CER CFWLA455KHFA-B0 (CFWS455HT)
L1	6200003261	S.COL NLV32T-101J
L2	6200003001	S.COL NLV32T-R22J
L100	6200004790	S.COL MLF1608D R47K-T
L101	6200003001	S.COL NLV32T-R22J
L102	6200003011	S.COL NLV32T-R27J
L103	6200001851	S.COL NLV32T-5R6J
L104	6200003261	S.COL NLV32T-101J
L105	6140003210	S.COL LR-358 (
L106	6150004270	COL LS-483A (C-14924)
L151	6150004280	COL LS-484B (C-14927)
L152	6200003261	S.COL NLV32T-101J
L153	6200003550	S.COL MLF1608A 4R7K-T
L201	6200001831	S.COL NLV32T-100J
L202	6200003001	S.COL NLV32T-R22J
L301	6150005110	COL LS-540
L302	6150004270	COL LS-483A (C-14924)
L303	6150005110	COL LS-540
L401	6140003210	S.COL LR-358 (
L402	6140003530	COL LR-395
L501	6150004090	COL LS-469 (C-13969)
L701	6200003261	S.COL NLV32T-101J
L702	6200003261	S.COL NLV32T-101J
L703	6200003261	S.COL NLV32T-101J
L801	6200003261	S.COL NLV32T-101J
L802	6200012670	S.COL LB3218T331K
L811	6200002961	S.COL NLV32T-4R7J
L812	6200003321	S.COL NLV32T-3R3J
L813	6200003261	S.COL NLV32T-101J
L814	6200003261	S.COL NLV32T-101J
L821	6200001851	S.COL NLV32T-5R6J
L822	6200003111	S.COL NLV32T-6R8J
L831	6200003261	S.COL NLV32T-101J
L832	6200003091	S.COL NLV32T-2R7J
L833	6200003101	S.COL NLV32T-3R9J
L835	6200002961	S.COL NLV32T-4R7J
L836	6200001851	S.COL NLV32T-5R6J
L841	6200003261	S.COL NLV32T-101J
L842	6200002991	S.COL NLV32T-2R2J
L843	6200002991	S.COL NLV32T-2R2J
L851	6200003261	S.COL NLV32T-101J
L852	6200003051	S.COL NLV32T-R82J
L853	6200003061	S.COL NLV32T-1R2J
L854	6200003081	S.COL NLV32T-1R8J
L855	6200003071	S.COL NLV32T-1R5J
L861	6200003261	S.COL NLV32T-101J
L862	6200003061	S.COL NLV32T-1R2J
L863	6200003331	S.COL NLV32T-1R0J
L864	6200003051	S.COL NLV32T-R82J
L865	6200003061	S.COL NLV32T-1R2J

[OTH], [OTH-1] only

[CHN], [CHN-01] only

[CHN], [CHN-01] only

[MAIN UNIT]

REF NO.	ORDER NO.	DESCRIPTION
L871	6200003261	S.COL NLV32T-101J
L872	6200003031	S.COL NLV32T-R47J
L873	6200002981	S.COL NLV32T-R56J
L874	6200003041	S.COL NLV32T-R68J
L875	6200003051	S.COL NLV32T-R82J
L881	6200003261	S.COL NLV32T-101J
L882	6200003251	S.COL NLV32T-R39J
L883	6200003251	S.COL NLV32T-R39J
L884	6200003031	S.COL NLV32T-R47J
L885	6200002981	S.COL NLV32T-R56J
L891	6200003261	S.COL NLV32T-101J
L892	6200003011	S.COL NLV32T-R27J
L893	6200003011	S.COL NLV32T-R27J
L894	6200003021	S.COL NLV32T-R33J
L895	6200003251	S.COL NLV32T-R39J
L901	6200003261	S.COL NLV32T-101J
L902	6180002961	S.COL NLV32T-R18J
L903	6200003011	S.COL NLV32T-R27J
L904	6200003021	S.COL NLV32T-R33J
L1101	6140003210	S.COL LR-358 (
L1102	6140003620	COL LR-403
L1103	6150004270	COL LS-483A (C-14924)
L1104	6200003261	S.COL NLV32T-101J
L1106	6200002041	S.COL NLV2T-101J
L1201	6150004280	COL LS-484B (C-14927)
L1202	6150004280	COL LS-484B (C-14927)
L1301	6150004080	COL LS-468 (C-13958)
L1302	6150004080	COL LS-468 (C-13958)
L1303	6150004080	COL LS-468 (C-13958)
L1304	6200012670	S.COL LB3218T331K
L1401	6140000640	COL LR-86
L1402	6140003550	COL LR-397
L1501	6150002291	COL LS-450
L1502	6150002291	COL LS-450
L1503	6200012670	S.COL LB3218T331K
L1601	6150002291	COL LS-450
L1611	6150002291	COL LS-450
L1621	6150002291	COL LS-450
L2001	6200003261	S.COL NLV32T-101J
L2301	6200003261	S.COL NLV32T-101J
L2901	6140002220	COL LR-270 (TR6X3X2 3A9)
L3501	6180000960	COL LAL 03NA 102K
L3502	6180003630	COL EL0607SKI-102J
L4501	6200003950	S.COL HF50ACC 322513-T
L4651	6200003950	S.COL HF50ACC 322513-T
L4652	6200001831	S.COL NLV32T-100J
L4653	6200003950	S.COL HF50ACC 322513-T
L4654	6200003950	S.COL HF50ACC 322513-T
L4656	6200001831	S.COL NLV32T-100J
L4657	6200001831	S.COL NLV32T-100J
L4658	6200003261	S.COL NLV32T-101J
L4659	6200001831	S.COL NLV32T-100J
L4660	6200001831	S.COL NLV32T-100J
L4661	6200003261	S.COL NLV32T-101J
L4801	6200003261	S.COL NLV32T-101J
L4802	6200003950	S.COL HF50ACC 322513-T
L5101	6200003331	S.COL NLV32T-1R0J
L5102	6200003331	S.COL NLV32T-1R0J
R1	7030003370	S.RES ERJ3GEYJ 271 V (270)
R2	7030003230	S.RES ERJ3GEYJ 180 V (18)
R3	7030003370	S.RES ERJ3GEYJ 271 V (270)
R4	7030003220	S.RES ERJ3GEYJ 150 V (15)
R5	7030003370	S.RES ERJ3GEYJ 271 V (270)
R6	7030003230	S.RES ERJ3GEYJ 180 V (18)
R7	7030003370	S.RES ERJ3GEYJ 271 V (270)
R101	7030003320	S.RES ERJ3GEYJ 101 V (100)
R102	7030003680	S.RES ERJ3GEYJ 104 V (100 k)
R103	7030003680	S.RES ERJ3GEYJ 104 V (100 k)
R104	7030003680	S.RES ERJ3GEYJ 104 V (100 k)
R105	7030003440	S.RES ERJ3GEYJ 102 V (1 k)
R106	7030003600	S.RES ERJ3GEYJ 223 V (22 k)
R107	7030003480	S.RES ERJ3GEYJ 222 V (2.2 k)
R108	7030003520	S.RES ERJ3GEYJ 472 V (4.7 k)
R151	7030003320	S.RES ERJ3GEYJ 101 V (100)
R152	7030003340	S.RES ERJ3GEYJ 151 V (150)
R153	7030003500	S.RES ERJ3GEYJ 332 V (3.3 k)
R154	7030003440	S.RES ERJ3GEYJ 102 V (1 k)
R155	7510001500	S.TMR NTCG10 4BH 332JT
R156	7030003440	S.RES ERJ3GEYJ 102 V (1 k)
R201	7030003440	S.RES ERJ3GEYJ 102 V (1 k)
R202	7030007180	S.RES ERJ12YJ150U (15)
R203	7030003520	S.RES ERJ3GEYJ 472 V (4.7 k)
R204	7030003420	S.RES ERJ3GEYJ 681 V (680)
R205	7030003290	S.RES ERJ3GEYJ 560 V (56)
R206	7030003200	S.RES ERJ3GEYJ 100 V (10)
R301	7030003440	S.RES ERJ3GEYJ 102 V (1 k)
R302	7030003440	S.RES ERJ3GEYJ 102 V (1 k)
R303	7030003440	S.RES ERJ3GEYJ 102 V (1 k)
R304	7030003440	S.RES ERJ3GEYJ 102 V (1 k)
R401	7030003370	S.RES ERJ3GEYJ 271 V (270)
R402	7030003230	S.RES ERJ3GEYJ 180 V (18)
R403	7030003370	S.RES ERJ3GEYJ 271 V (270)
R501	7030003440	S.RES ERJ3GEYJ 102 V (1 k)
R502	7030003440	S.RES ERJ3GEYJ 102 V (1 k)
R503	7310005030	S.TRI RH03ADCS4X (47 k)
R504	7030003320	S.RES ERJ3GEYJ 101 V (100)
R505	7030003600	S.RES ERJ3GEYJ 223 V (22 k)
R506	7030003560	S.RES ERJ3GEYJ 103 V (10 k)
R507	7030003520	S.RES ERJ3GEYJ 472 V (4.7 k)
R508	7510001530	S.TMR NTCG20 3NH 103JT
R509	7030003560	S.RES ERJ3GEYJ 103 V (10 k)
R510	7030003560	S.RES ERJ3GEYJ 103 V (10 k)

[CHN], [CHN-01] only

M.=Mounted side (T: Mounted on the Top side, B: Mounted on the Bottom side)
S.=Surface mount

[MAIN UNIT]

REF NO.	ORDER NO.	DESCRIPTION
R511	7030003480	S.RES ERJ3GEYJ 222 V (2.2 k)
R512	7030003520	S.RES ERJ3GEYJ 472 V (4.7 k)
R513	7030003620	S.RES ERJ3GEYJ 333 V (33 k)
R514	7030003620	S.RES ERJ3GEYJ 333 V (33 k)
R601	7030003560	S.RES ERJ3GEYJ 103 V (10 k)
R602	7030003620	S.RES ERJ3GEYJ 333 V (33 k)
R603	7030003620	S.RES ERJ3GEYJ 333 V (33 k)
R604	7030003520	S.RES ERJ3GEYJ 472 V (4.7 k)
R605	7030003520	S.RES ERJ3GEYJ 472 V (4.7 k)
R606	7030003560	S.RES ERJ3GEYJ 103 V (10 k)
R611	7030003560	S.RES ERJ3GEYJ 103 V (10 k)
R612	7030003530	S.RES ERJ3GEYJ 562 V (5.6 k)
R613	7030003320	S.RES ERJ3GEYJ 101 V (100)
R614	7030003560	S.RES ERJ3GEYJ 103 V (10 k)
R621	7030003500	S.RES ERJ3GEYJ 332 V (3.3 k)
R622	7030003530	S.RES ERJ3GEYJ 562 V (5.6 k)
R623	7030003320	S.RES ERJ3GEYJ 101 V (100)
R624	7030003500	S.RES ERJ3GEYJ 332 V (3.3 k)
R631	7030003560	S.RES ERJ3GEYJ 103 V (10 k)
R632	7030003530	S.RES ERJ3GEYJ 562 V (5.6 k)
R633	7030003440	S.RES ERJ3GEYJ 102 V (1 k)
R634	7030003320	S.RES ERJ3GEYJ 101 V (100)
R635	7030003560	S.RES ERJ3GEYJ 103 V (10 k)
R701	7030009830	S.RES ERJ12YJ391U (390)
R703	7030006250	S.RES ERJ12YJ271U (270)
R704	7030009830	S.RES ERJ12YJ391U (390)
R705	7030006260	S.RES ERJ12YJ471U (470)
R801	7030003400	S.RES ERJ3GEYJ 471 V (470)
R802	7030003400	S.RES ERJ3GEYJ 471 V (470)
R821	7030003240	S.RES ERJ3GEYJ 220 V (22)
R822	7030003280	S.RES ERJ3GEYJ 470 V (47)
R823	7030003240	S.RES ERJ3GEYJ 220 V (22)
R824	7030003400	S.RES ERJ3GEYJ 471 V (470)
R831	7030003400	S.RES ERJ3GEYJ 471 V (470)
R832	7030003400	S.RES ERJ3GEYJ 471 V (470)
R833	7030003400	S.RES ERJ3GEYJ 471 V (470) [OTH-2], [CHN], [CHN-01] only
R841	7030003400	S.RES ERJ3GEYJ 471 V (470) [OTH-2], [CHN], [CHN-01] only
R842	7030003400	S.RES ERJ3GEYJ 471 V (470)
R851	7030003400	S.RES ERJ3GEYJ 471 V (470)
R852	7030003440	S.RES ERJ3GEYJ 102 V (1 k)
R861	7030003400	S.RES ERJ3GEYJ 471 V (470)
R862	7030003440	S.RES ERJ3GEYJ 102 V (1 k)
R871	7030003400	S.RES ERJ3GEYJ 471 V (470)
R872	7030003440	S.RES ERJ3GEYJ 102 V (1 k)
R881	7030003400	S.RES ERJ3GEYJ 471 V (470)
R882	7030003440	S.RES ERJ3GEYJ 102 V (1 k)
R891	7030003400	S.RES ERJ3GEYJ 471 V (470)
R892	7030003440	S.RES ERJ3GEYJ 102 V (1 k)
R901	7030003400	S.RES ERJ3GEYJ 471 V (470)
R902	7030003360	S.RES ERJ3GEYJ 221 V (220)
R903	7030003440	S.RES ERJ3GEYJ 102 V (1 k)
R904	7030003560	S.RES ERJ3GEYJ 103 V (10 k)
R1001	7030003640	S.RES ERJ3GEYJ 473 V (47 k)
R1002	7030003440	S.RES ERJ3GEYJ 102 V (1 k)
R1101	7030003440	S.RES ERJ3GEYJ 102 V (1 k)
R1102	7030003300	S.RES ERJ3GEYJ 680 V (68)
R1103	7030003420	S.RES ERJ3GEYJ 681 V (680)
R1105	7030003420	S.RES ERJ3GEYJ 681 V (680)
R1107	7030000220	S.RES MCR10EZJH 47 (470)
R1108	7030003440	S.RES ERJ3GEYJ 102 V (1 k)
R1201	7030003440	S.RES ERJ3GEYJ 102 V (1 k)
R1202	7030003530	S.RES ERJ3GEYJ 562 V (5.6 k)
R1204	7030003470	S.RES ERJ3GEYJ 182 V (1.8 k)
R1205	7030003800	S.RES ERJ3GEYJ 105 V (1 M)
R1206	7030003340	S.RES ERJ3GEYJ 151 V (150)
R1207	7030003480	S.RES ERJ3GEYJ 222 V (2.2 k)
R1208	7030003320	S.RES ERJ3GEYJ 101 V (100)
R1209	7030003440	S.RES ERJ3GEYJ 102 V (1 k)
R1300	7030003680	S.RES ERJ3GEYJ 104 V (100 k)
R1301	7030003440	S.RES ERJ3GEYJ 102 V (1 k)
R1302	7030003360	S.RES ERJ3GEYJ 221 V (220)
R1304	7030003520	S.RES ERJ3GEYJ 472 V (4.7 k)
R1305	7030003470	S.RES ERJ3GEYJ 182 V (1.8 k)
R1306	7030003760	S.RES ERJ3GEYJ 474 V (470 k)
R1307	7030003540	S.RES ERJ3GEYJ 682 V (6.8 k)
R1308	7030003360	S.RES ERJ3GEYJ 221 V (220)
R1310	7030003480	S.RES ERJ3GEYJ 222 V (2.2 k)
R1311	7030003480	S.RES ERJ3GEYJ 222 V (2.2 k)
R1401	7030003360	S.RES ERJ3GEYJ 221 V (220)
R1402	7030003240	S.RES ERJ3GEYJ 220 V (22)
R1403	7030004040	S.RES ERJ3GEYJ 4R7 V (4.7)
R1404	7030003560	S.RES ERJ3GEYJ 103 V (10 k)
R1501	7030003640	S.RES ERJ3GEYJ 473 V (47 k)
R1502	7030003400	S.RES ERJ3GEYJ 471 V (470)
R1503	7030003320	S.RES ERJ3GEYJ 101 V (100)
R1504	7030003600	S.RES ERJ3GEYJ 223 V (22 k)
R1505	7030003400	S.RES ERJ3GEYJ 471 V (470)
R1506	7030003320	S.RES ERJ3GEYJ 101 V (100)
R1507	7030003320	S.RES ERJ3GEYJ 101 V (100)
R1508	7030003600	S.RES ERJ3GEYJ 223 V (22 k)
R1509	7030003500	S.RES ERJ3GEYJ 332 V (3.3 k)
R1510	7030003400	S.RES ERJ3GEYJ 471 V (470)
R1511	7030003680	S.RES ERJ3GEYJ 104 V (100 k)
R1513	7030003640	S.RES ERJ3GEYJ 473 V (47 k)
R1514	7030003640	S.RES ERJ3GEYJ 473 V (47 k)
R1515	7030003380	S.RES ERJ3GEYJ 331 V (330)
R1516	7030003840	S.RES ERJ3GEYJ 225 V (2.2 M)
R1517	7030003510	S.RES ERJ3GEYJ 392 V (3.9 k)
R1518	7030003440	S.RES ERJ3GEYJ 102 V (1 k)
R1519	7030003320	S.RES ERJ3GEYJ 101 V (100)
R1520	7030003540	S.RES ERJ3GEYJ 682 V (6.8 k)
R1521	7030003440	S.RES ERJ3GEYJ 102 V (1 k)

[MAIN UNIT]

REF NO.	ORDER NO.	DESCRIPTION
R1522	7030003360	S.RES ERJ3GEYJ 221 V (220)
R1523	7030003640	S.RES ERJ3GEYJ 473 V (47 k)
R1601	7030003280	S.RES ERJ3GEYJ 470 V (47)
R1602	7030003400	S.RES ERJ3GEYJ 471 V (470)
R1603	7030003610	S.RES ERJ3GEYJ 273 V (27 k)
R1604	7030003640	S.RES ERJ3GEYJ 473 V (47 k)
R1610	7030003480	S.RES ERJ3GEYJ 222 V (2.2 k)
R1611	7030003320	S.RES ERJ3GEYJ 101 V (100)
R1612	7510001390	S.TMR NTCG20 3FH 332JT
R1614	7310005050	S.TRI RH03ADCS3X (4.7 k)
R1615	7030003560	S.RES ERJ3GEYJ 103 V (10 k)
R1616	7030003560	S.RES ERJ3GEYJ 103 V (10 k)
R1617	7510001500	S.TMR NTCG10 4BH 332JT
R1621	7030003320	S.RES ERJ3GEYJ 101 V (100)
R1622	7030003480	S.RES ERJ3GEYJ 222 V (2.2 k)
R1623	7030003410	S.RES ERJ3GEYJ 561 V (560)
R1624	7030003400	S.RES ERJ3GEYJ 471 V (470)
R1625	7030003760	S.RES ERJ3GEYJ 474 V (470 k)
R1626	7030003720	S.RES ERJ3GEYJ 224 V (220 k)
R1627	7510001500	S.TMR NTCG10 4BH 332JT
R1631	7030003560	S.RES ERJ3GEYJ 103 V (10 k)
R1632	7030003560	S.RES ERJ3GEYJ 103 V (10 k)
R1633	7030003680	S.RES ERJ3GEYJ 104 V (100 k)
R1703	7030003680	S.RES ERJ3GEYJ 104 V (100 k)
R1706	7030003380	S.RES ERJ3GEYJ 331 V (330)
R1707	7310005190	S.TRI RH03ADC15X (100 k)
R1708	7030003720	S.RES ERJ3GEYJ 224 V (220 k)
R1709	7030003680	S.RES ERJ3GEYJ 104 V (100 k)
R1710	7030003840	S.RES ERJ3GEYJ 225 V (2.2 M)
R1711	7030003380	S.RES ERJ3GEYJ 331 V (330)
R1712	7030003680	S.RES ERJ3GEYJ 104 V (100 k)
R1713	7030003800	S.RES ERJ3GEYJ 105 V (1 M)
R1714	7030003730	S.RES ERJ3GEYJ 274 V (270 k)
R1715	7030003570	S.RES ERJ3GEYJ 123 V (12 k)
R1716	7030003400	S.RES ERJ3GEYJ 471 V (470)
R1717	7030003640	S.RES ERJ3GEYJ 473 V (47 k)
R1718	7030003640	S.RES ERJ3GEYJ 473 V (47 k)
R1719	7030003620	S.RES ERJ3GEYJ 333 V (33 k)
R1720	7310005020	S.TRI RH03ADC14X (10 k)
R1721	7030003620	S.RES ERJ3GEYJ 333 V (33 k)
R1722	7030003800	S.RES ERJ3GEYJ 105 V (1 M)
R1723	7030003400	S.RES ERJ3GEYJ 471 V (470)
R1724	7030003560	S.RES ERJ3GEYJ 103 V (10 k)
R1725	7030003680	S.RES ERJ3GEYJ 104 V (100 k)
R1729	7030003560	S.RES ERJ3GEYJ 103 V (10 k)
R1730	7310005190	S.TRI RH03ADC15X (100 k)
R1751	7030003790	S.RES ERJ3GEYJ 824 V (820 k)
R1752	7030003840	S.RES ERJ3GEYJ 225 V (2.2 M)
R1754	7030003760	S.RES ERJ3GEYJ 474 V (470 k)
R1755	7030003440	S.RES ERJ3GEYJ 102 V (1 k)
R1801	7030003440	S.RES ERJ3GEYJ 102 V (1 k)
R1802	7030003840	S.RES ERJ3GEYJ 225 V (2.2 M)
R1803	7030003830	S.RES ERJ3GEYJ 185 V (1.8 M)
R1804	7030003720	S.RES ERJ3GEYJ 224 V (220 k)
R1805	7030003680	S.RES ERJ3GEYJ 104 V (100 k)
R1806	7030003800	S.RES ERJ3GEYJ 105 V (1 M)
R1807	7030003560	S.RES ERJ3GEYJ 103 V (10 k)
R1808	7030003580	S.RES ERJ3GEYJ 153 V (15 k)
R1809	7030003320	S.RES ERJ3GEYJ 101 V (100)
R1810	7030003800	S.RES ERJ3GEYJ 105 V (1 M)
R1812	7030003580	S.RES ERJ3GEYJ 153 V (15 k)
R1813	7030003500	S.RES ERJ3GEYJ 332 V (3.3 k)
R1814	7030003440	S.RES ERJ3GEYJ 102 V (1 k)
R1815	7030003600	S.RES ERJ3GEYJ 223 V (22 k)
R1901	7030003560	S.RES ERJ3GEYJ 103 V (10 k)
R1902	7030003640	S.RES ERJ3GEYJ 473 V (47 k)
R1903	7030003440	S.RES ERJ3GEYJ 102 V (1 k)
R1904	7030003280	S.RES ERJ3GEYJ 470 V (47)
R1905	7030003680	S.RES ERJ3GEYJ 104 V (100 k)
R1906	7030003650	S.RES ERJ3GEYJ 563 V (56 k)
R1907	7030003440	S.RES ERJ3GEYJ 102 V (1 k)
R2001	7030003320	S.RES ERJ3GEYJ 101 V (100)
R2002	7030003600	S.RES ERJ3GEYJ 223 V (22 k)
R2003	7030003320	S.RES ERJ3GEYJ 101 V (100)
R2004	7030003360	S.RES ERJ3GEYJ 221 V (220)
R2005	7030003400	S.RES ERJ3GEYJ 471 V (470)
R2006	7030003380	S.RES ERJ3GEYJ 331 V (330)
R2007	7030003480	S.RES ERJ3GEYJ 222 V (2.2 k)
R2008	7030003480	S.RES ERJ3GEYJ 222 V (2.2 k)
R2101	7030003400	S.RES ERJ3GEYJ 471 V (470)
R2102	7030003560	S.RES ERJ3GEYJ 103 V (10 k)
R2103	7030003560	S.RES ERJ3GEYJ 103 V (10 k)
R2104	7030003640	S.RES ERJ3GEYJ 473 V (47 k)
R2105	7030003640	S.RES ERJ3GEYJ 473 V (47 k)
R2106	7030003640	S.RES ERJ3GEYJ 473 V (47 k)
R2107	7030003640	S.RES ERJ3GEYJ 473 V (47 k)
R2108	7030003400	S.RES ERJ3GEYJ 471 V (470)
R2201	7030003440	S.RES ERJ3GEYJ 102 V (1 k)
R2202	7030003560	S.RES ERJ3GEYJ 103 V (10 k)
R2203	7030003560	S.RES ERJ3GEYJ 103 V (10 k)
R2204	7030003680	S.RES ERJ3GEYJ 104 V (100 k)
R2206	7030003710	S.RES ERJ3GEYJ 184 V (180 k)
R2208	7030003560	S.RES ERJ3GEYJ 103 V (10 k)
R2209	7030003680	S.RES ERJ3GEYJ 104 V (100 k)
R2210	7030003520	S.RES ERJ3GEYJ 472 V (4.7 k)
R2211	7030003670	S.RES ERJ3GEYJ 823 V (82 k)
R2212	7030003720	S.RES ERJ3GEYJ 224 V (220 k)
R2213	7030003720	S.RES ERJ3GEYJ 224 V (220 k)
R2214	7030003520	S.RES ERJ3GEYJ 472 V (4.7 k)
R2215	7030003560	S.RES ERJ3GEYJ 103 V (10 k)
R2216	7030003640	S.RES ERJ3GEYJ 473 V (47 k)
R2217	7030003640	S.RES ERJ3GEYJ 473 V (47 k)
R2218	7030003560	S.RES ERJ3GEYJ 103 V (10 k)
R2219	7030003290	S.RES ERJ3GEYJ 560 V (56)

M.=Mounted side (T: Mounted on the Top side, B: Mounted on the Bottom side)
S.=Surface mount

[MAIN UNIT]

REF NO.	ORDER NO.	DESCRIPTION
R2220	7310005150	S.TRI RH03ADCJ5X (220 k)
R2221	7030003600	S.RES ERJ3GEYJ 223 V (22 k)
R2222	7030003540	S.RES ERJ3GEYJ 682 V (6.8 k)
R2223	7030003540	S.RES ERJ3GEYJ 682 V (6.8 k)
R2224	7030003520	S.RES ERJ3GEYJ 472 V (4.7 k)
R2225	7030003360	S.RES ERJ3GEYJ 221 V (220)
R2300	7030003410	S.RES ERJ3GEYJ 561 V (560)
R2301	7030003440	S.RES ERJ3GEYJ 102 V (1 k)
R2302	7030003640	S.RES ERJ3GEYJ 473 V (47 k)
R2303	7310005050	S.TRI RH03ADC3X (4.7 k)
R2304	7030003640	S.RES ERJ3GEYJ 473 V (47 k)
R2305	7030003440	S.RES ERJ3GEYJ 102 V (1 k)
R2306	7030003380	S.RES ERJ3GEYJ 331 V (330)
R2307	7030003520	S.RES ERJ3GEYJ 472 V (4.7 k)
R2308	7510001500	S.TMR NTCG10 4BH 332JT
R2310	7030003440	S.RES ERJ3GEYJ 102 V (1 k)
R2312	7030003520	S.RES ERJ3GEYJ 472 V (4.7 k)
R2313	7030003560	S.RES ERJ3GEYJ 103 V (10 k)
R2317	7030003440	S.RES ERJ3GEYJ 102 V (1 k)
R2318	7030003410	S.RES ERJ3GEYJ 561 V (560)
R2319	7030003410	S.RES ERJ3GEYJ 561 V (560)
R2320	7030003550	S.RES ERJ3GEYJ 822 V (8.2 k)
R2321	7310005150	S.TRI RH03ADCJ5X (220 k)
R2352	7030003650	S.RES ERJ3GEYJ 563 V (56 k)
R2353	7030003640	S.RES ERJ3GEYJ 473 V (47 k)
R2381	7030003680	S.RES ERJ3GEYJ 104 V (100 k)
R2382	7030003760	S.RES ERJ3GEYJ 474 V (470 k)
R2383	7030003600	S.RES ERJ3GEYJ 223 V (22 k)
R2384	7030003440	S.RES ERJ3GEYJ 102 V (1 k)
R2385	7310005020	S.TRI RH03ADC14X (10 k)
R2386	7030003560	S.RES ERJ3GEYJ 103 V (10 k)
R2387	7030003560	S.RES ERJ3GEYJ 103 V (10 k)
R2401	7030003680	S.RES ERJ3GEYJ 104 V (100 k)
R2402	7030003680	S.RES ERJ3GEYJ 104 V (100 k)
R2403	7030003640	S.RES ERJ3GEYJ 473 V (47 k)
R2406	7030003520	S.RES ERJ3GEYJ 472 V (4.7 k)
R2407	7030003520	S.RES ERJ3GEYJ 472 V (4.7 k)
R2607	7030003680	S.RES ERJ3GEYJ 104 V (100 k)
R2701	7310005050	S.TRI RH03ADC3X (4.7 k)
R2702	7030003400	S.RES ERJ3GEYJ 471 V (470)
R2703	7030003680	S.RES ERJ3GEYJ 104 V (100 k)
R2704	7030003680	S.RES ERJ3GEYJ 104 V (100 k)
R2705	7030003520	S.RES ERJ3GEYJ 472 V (4.7 k)
R2706	7030003520	S.RES ERJ3GEYJ 472 V (4.7 k)
R2707	7030003320	S.RES ERJ3GEYJ 101 V (100)
R2708	7030003610	S.RES ERJ3GEYJ 273 V (27 k)
R2709	7030003480	S.RES ERJ3GEYJ 222 V (2.2 k)
R2710	7030003550	S.RES ERJ3GEYJ 822 V (8.2 k)
R2720	7030003560	S.RES ERJ3GEYJ 103 V (10 k)
R2721	7030003410	S.RES ERJ3GEYJ 561 V (560)
R2722	7030003640	S.RES ERJ3GEYJ 473 V (47 k)
R2803	7030003560	S.RES ERJ3GEYJ 103 V (10 k)
R2804	7030003560	S.RES ERJ3GEYJ 103 V (10 k)
R2805	7030003440	S.RES ERJ3GEYJ 102 V (1 k)
R2901	7030003400	S.RES ERJ3GEYJ 471 V (470)
R2902	7030004040	S.RES ERJ3GEYJ 4R7 V (4.7)
R2903	7030008000	S.RES ERJ1WYJ3R3U (3.3)
R3001	7030003640	S.RES ERJ3GEYJ 473 V (47 k)
R3002	7030003640	S.RES ERJ3GEYJ 473 V (47 k)
R3003	7030003640	S.RES ERJ3GEYJ 473 V (47 k)
R3004	7030003640	S.RES ERJ3GEYJ 473 V (47 k)
R3005	7030003640	S.RES ERJ3GEYJ 473 V (47 k)
R3006	7030003640	S.RES ERJ3GEYJ 473 V (47 k)
R3007	7030003640	S.RES ERJ3GEYJ 473 V (47 k)
R3008	7030003640	S.RES ERJ3GEYJ 473 V (47 k)
R3009	7030003640	S.RES ERJ3GEYJ 473 V (47 k)
R3010	7030003640	S.RES ERJ3GEYJ 473 V (47 k)
R3011	7030003360	S.RES ERJ3GEYJ 221 V (220)
R3012	7030003360	S.RES ERJ3GEYJ 221 V (220)
R3013	7030003360	S.RES ERJ3GEYJ 221 V (220)
R3101	7030003520	S.RES ERJ3GEYJ 472 V (4.7 k)
R3102	7030003520	S.RES ERJ3GEYJ 472 V (4.7 k)
R3201	7030003680	S.RES ERJ3GEYJ 104 V (100 k)
R3202	7030003680	S.RES ERJ3GEYJ 104 V (100 k)
R3203	7030003400	S.RES ERJ3GEYJ 471 V (470)
R3302	7030007660	S.RES RR0816P-331-D (330)
R3303	7030006520	S.RES RR0816P-561-D (560)
R3501	7030003350	S.RES ERJ3GEYJ 181 V (180)
R3502	7030003350	S.RES ERJ3GEYJ 181 V (180)
R3503	7030003560	S.RES ERJ3GEYJ 103 V (10 k)
R3504	7030003680	S.RES ERJ3GEYJ 104 V (100 k)
R3505	7030003320	S.RES ERJ3GEYJ 101 V (100)
R3506	7030003320	S.RES ERJ3GEYJ 101 V (100)
R3601	7030003440	S.RES ERJ3GEYJ 102 V (1 k)
R3602	7030003740	S.RES ERJ3GEYJ 334 V (330 k)
R3603	7030003680	S.RES ERJ3GEYJ 104 V (100 k)
R3701	7030003520	S.RES ERJ3GEYJ 472 V (4.7 k)
R3702	7030003400	S.RES ERJ3GEYJ 471 V (470)
R3703	7310005140	S.TRI RH03ADCJ3X (2.2 k)
R3704	7030003440	S.RES ERJ3GEYJ 102 V (1 k)
R4001	7030004040	S.RES ERJ3GEYJ 4R7 V (4.7)
R4002	7030004040	S.RES ERJ3GEYJ 4R7 V (4.7)
R4003	7030004040	S.RES ERJ3GEYJ 4R7 V (4.7)
R4004	7030004040	S.RES ERJ3GEYJ 4R7 V (4.7)
R4005	7030004040	S.RES ERJ3GEYJ 4R7 V (4.7)
R4006	7030004040	S.RES ERJ3GEYJ 4R7 V (4.7)
R4007	7030004040	S.RES ERJ3GEYJ 4R7 V (4.7)
R4101	7030003440	S.RES ERJ3GEYJ 102 V (1 k)
R4102	7030003320	S.RES ERJ3GEYJ 101 V (100)
R4201	7030003440	S.RES ERJ3GEYJ 102 V (1 k)
R4202	7030003440	S.RES ERJ3GEYJ 102 V (1 k)
R4203	7030003440	S.RES ERJ3GEYJ 102 V (1 k)
R4204	7030003440	S.RES ERJ3GEYJ 102 V (1 k)
R4205	7030003440	S.RES ERJ3GEYJ 102 V (1 k)

[CHN], [CHN-01] only
[CHN], [CHN-01] only

[MAIN UNIT]

REF NO.	ORDER NO.	DESCRIPTION
R4206	7030003440	S.RES ERJ3GEYJ 102 V (1 k)
R4207	7030003440	S.RES ERJ3GEYJ 102 V (1 k)
R4208	7030003440	S.RES ERJ3GEYJ 102 V (1 k)
R4209	7030003440	S.RES ERJ3GEYJ 102 V (1 k)
R4210	7030003440	S.RES ERJ3GEYJ 102 V (1 k)
R4211	7030003440	S.RES ERJ3GEYJ 102 V (1 k)
R4213	7030003440	S.RES ERJ3GEYJ 102 V (1 k)
R4214	7030003440	S.RES ERJ3GEYJ 102 V (1 k)
R4215	7030003440	S.RES ERJ3GEYJ 102 V (1 k)
R4217	7030003440	S.RES ERJ3GEYJ 102 V (1 k)
R4218	7030003440	S.RES ERJ3GEYJ 102 V (1 k)
R4219	7030003440	S.RES ERJ3GEYJ 102 V (1 k)
R4220	7030003440	S.RES ERJ3GEYJ 102 V (1 k)
R4221	7030003440	S.RES ERJ3GEYJ 102 V (1 k)
R4222	7030003440	S.RES ERJ3GEYJ 102 V (1 k)
R4223	7030003440	S.RES ERJ3GEYJ 102 V (1 k)
R4224	7030003510	S.RES ERJ3GEYJ 392 V (3.9 k)
R4225	7030003440	S.RES ERJ3GEYJ 102 V (1 k)
R4226	7030003440	S.RES ERJ3GEYJ 102 V (1 k)
R4227	7030003560	S.RES ERJ3GEYJ 103 V (10 k)
R5551	7030003440	S.RES ERJ3GEYJ 102 V (1 k)
R5552	7030003510	S.RES ERJ3GEYJ 392 V (3.9 k)
R5601	7030003640	S.RES ERJ3GEYJ 473 V (47 k)
R5602	7030003640	S.RES ERJ3GEYJ 473 V (47 k)
R5603	7030003640	S.RES ERJ3GEYJ 473 V (47 k)
R5604	7030003640	S.RES ERJ3GEYJ 473 V (47 k)
R5606	7030003440	S.RES ERJ3GEYJ 102 V (1 k)
C1	4030011600	S.CER C1608 JB 1E 104K-T
C2	4030011600	S.CER C1608 JB 1E 104K-T
C3	4030011600	S.CER C1608 JB 1E 104K-T
C4	4030007130	S.CER C1608 CH 1H 101J-T
C5	4030007120	S.CER C1608 CH 1H 820J-T
C100	4030007120	S.CER C1608 CH 1H 820J-T
C101	4030007110	S.CER C1608 CH 1H 680J-T
C102	4030007090	S.CER C1608 CH 1H 470J-T
C103	4030007150	S.CER C1608 CH 1H 151J-T
C104	4030007050	S.CER C1608 CH 1H 220J-T
C105	4030007120	S.CER C1608 CH 1H 820J-T
C106	4030008650	S.CER C1608 JB 1H 332K-T
C107	4030008470	S.CER C1608 JB 1H 272K-T
C108	4030011600	S.CER C1608 JB 1E 104K-T
C109	4030011600	S.CER C1608 JB 1E 104K-T
C110	4030011600	S.CER C1608 JB 1E 104K-T
C111	4030006980	S.CER C1608 CH 1H 070D-T
C112	4030011600	S.CER C1608 JB 1E 104K-T
C113	4030007010	S.CER C1608 CH 1H 100D-T
C151	4030006880	S.CER C1608 JB 1H 472K-T
C152	4030008250	S.CER C1608 UJ 1H 120J-T
C153	4030006880	S.CER C1608 JB 1H 472K-T
C154	4030006880	S.CER C1608 JB 1H 472K-T
C155	4030006880	S.CER C1608 JB 1H 472K-T
C156	4030006880	S.CER C1608 JB 1H 472K-T
C157	4030006880	S.CER C1608 JB 1H 472K-T
C158	4030006880	S.CER C1608 JB 1H 472K-T
C201	4030011340	S.CER C1608 CH 1H 471J-T
C202	4030006880	S.CER C1608 JB 1H 472K-T
C203	4030011600	S.CER C1608 JB 1E 104K-T
C204	4030006880	S.CER C1608 JB 1H 472K-T
C205	4030006880	S.CER C1608 JB 1H 472K-T
C206	4030007170	S.CER C1608 CH 1H 221J-T
C301	4030006880	S.CER C1608 JB 1H 472K-T
C302	4030006970	S.CER C1608 CH 1H 060D-T
C303	4030006970	S.CER C1608 CH 1H 060D-T
C304	4030006970	S.CER C1608 CH 1H 060D-T
C305	4030006880	S.CER C1608 JB 1H 472K-T
C306	4030006880	S.CER C1608 JB 1H 472K-T
C307	4030006880	S.CER C1608 JB 1H 472K-T
C401	4030011340	S.CER C1608 CH 1H 471J-T
C501	4030006880	S.CER C1608 JB 1H 472K-T
C502	4030006880	S.CER C1608 JB 1H 472K-T
C503	4510008560	S.ELE EEE1HAR47SR
C504	4030006880	S.CER C1608 JB 1H 472K-T
C506	4510008520	S.ELE EEE1CA470SP
C507	4030011600	S.CER C1608 JB 1E 104K-T
C508	4030011600	S.CER C1608 JB 1E 104K-T
C509	4030006880	S.CER C1608 JB 1H 472K-T
C510	4510008550	S.ELE EEE1HA010SR
C511	4510004990	ELE 16 ME 100 HC
C601	4030011600	S.CER C1608 JB 1E 104K-T
C602	4030011600	S.CER C1608 JB 1E 104K-T
C603	4030011600	S.CER C1608 JB 1E 104K-T
C611	4030011600	S.CER C1608 JB 1E 104K-T
C612	4030011600	S.CER C1608 JB 1E 104K-T
C621	4030011600	S.CER C1608 JB 1E 104K-T
C622	4030011600	S.CER C1608 JB 1E 104K-T
C631	4030011600	S.CER C1608 JB 1E 104K-T
C632	4030011600	S.CER C1608 JB 1E 104K-T
C633	4030011600	S.CER C1608 JB 1E 104K-T
C701	4030011600	S.CER C1608 JB 1E 104K-T
C702	4030011600	S.CER C1608 JB 1E 104K-T
C703	4030011600	S.CER C1608 JB 1E 104K-T
C704	4030011600	S.CER C1608 JB 1E 104K-T
C801	4030011600	S.CER C1608 JB 1E 104K-T
C802	4030011600	S.CER C1608 JB 1E 104K-T
C803	4030006880	S.CER C1608 JB 1H 472K-T
C811	4030011600	S.CER C1608 JB 1E 104K-T
C812	4030008920	S.CER C1608 JB 1H 473K-T
C813	4030009980	S.CER C1608 JB 1H 152K-T
C814	4030006880	S.CER C1608 JB 1H 472K-T
C815	4030008470	S.CER C1608 JB 1H 272K-T
C816	4030011600	S.CER C1608 JB 1E 104K-T
C817	4030006880	S.CER C1608 JB 1H 472K-T

M.=Mounted side (T: Mounted on the Top side, B: Mounted on the Bottom side)
S.=Surface mount

[MAIN UNIT]

REF NO.	ORDER NO.	DESCRIPTION
C821	4510008550	S.ELE EEE1HA010SR
C822	4030008470	S.CER C1608 JB 1H 272K-T
C823	4030007170	S.CER C1608 CH 1H 221J-T
C824	4030006870	S.CER C1608 JB 1H 222K-T
C831	4030011600	S.CER C1608 JB 1E 104K-T
C832	4030009970	S.CER C1608 JB 1H 182K-T
C833	4030011280	S.CER C1608 CH 1H 271J-T
C834	4030006860	S.CER C1608 JB 1H 102K-T
C837	4030008470	S.CER C1608 JB 1H 272K-T
C838	4030008850	S.CER C1608 JB 1H 123K-T
C839	4030009980	S.CER C1608 JB 1H 152K-T
C840	4030011600	S.CER C1608 JB 1E 104K-T
C841	4030011600	S.CER C1608 JB 1E 104K-T
C842	4030010020	S.CER C1608 JB 1H 122K-T
C843	4030007100	S.CER C1608 CH 1H 560J-T
C844	4030009580	S.CER C1608 JB 1H 681K-T
C845	4030010040	S.CER C1608 JB 1H 561K-T
C846	4030007150	S.CER C1608 CH 1H 151J-T
C851	4030011600	S.CER C1608 JB 1E 104K-T
C852	4030011340	S.CER C1608 CH 1H 471J-T
C853	4030007110	S.CER C1608 CH 1H 680J-T
C854	4030011280	S.CER C1608 CH 1H 271J-T
C855	4030010020	S.CER C1608 JB 1H 122K-T
C856	4030008770	S.CER C1608 JB 1H 562K-T
C857	4030009580	S.CER C1608 JB 1H 681K-T
C858	4030011600	S.CER C1608 JB 1E 104K-T
C861	4030011600	S.CER C1608 JB 1E 104K-T
C862	4030010760	S.CER C1608 CH 1H 331J-T
C863	4030007100	S.CER C1608 CH 1H 560J-T
C864	4030010760	S.CER C1608 CH 1H 331J-T
C865	4030009580	S.CER C1608 JB 1H 681K-T
C866	4030008470	S.CER C1608 JB 1H 272K-T
C867	4030010760	S.CER C1608 CH 1H 331J-T
C868	4030011600	S.CER C1608 JB 1E 104K-T
C871	4030006880	S.CER C1608 JB 1H 472K-T
C872	4030011280	S.CER C1608 CH 1H 271J-T
C873	4030007100	S.CER C1608 CH 1H 560J-T
C874	4030007150	S.CER C1608 CH 1H 151J-T
C875	4030011340	S.CER C1608 CH 1H 471J-T
C876	4030009980	S.CER C1608 JB 1H 152K-T
C877	4030007170	S.CER C1608 CH 1H 221J-T
C878	4030006880	S.CER C1608 JB 1H 472K-T
C881	4030006880	S.CER C1608 JB 1H 472K-T
C882	4030007170	S.CER C1608 CH 1H 221J-T
C883	4030007070	S.CER C1608 CH 1H 330J-T
C884	4030007140	S.CER C1608 CH 1H 121J-T
C885	4030011280	S.CER C1608 CH 1H 271J-T
C886	4030010020	S.CER C1608 JB 1H 122K-T
C887	4030007150	S.CER C1608 CH 1H 151J-T
C888	4030006880	S.CER C1608 JB 1H 472K-T
C891	4030006880	S.CER C1608 JB 1H 472K-T
C892	4030007140	S.CER C1608 CH 1H 121J-T
C893	4030007080	S.CER C1608 CH 1H 390J-T
C894	4030007110	S.CER C1608 CH 1H 680J-T
C895	4030007170	S.CER C1608 CH 1H 221J-T
C896	4030009490	S.CER C1608 JB 1H 821K-T
C897	4030007130	S.CER C1608 CH 1H 101J-T
C898	4030006880	S.CER C1608 JB 1H 472K-T
C899	4030007070	S.CER C1608 CH 1H 330J-T
C901	4030011600	S.CER C1608 JB 1E 104K-T
C902	4030011600	S.CER C1608 JB 1E 104K-T
C904	4030011600	S.CER C1608 JB 1E 104K-T
C905	4030007150	S.CER C1608 CH 1H 151J-T
C906	4030007010	S.CER C1608 CH 1H 100D-T
C907	4030007120	S.CER C1608 CH 1H 820J-T
C1001	4030011600	S.CER C1608 JB 1E 104K-T
C1101	4030006880	S.CER C1608 JB 1H 472K-T
C1102	4030011600	S.CER C1608 JB 1E 104K-T
C1103	4030011600	S.CER C1608 JB 1E 104K-T
C1104	4030006940	S.CER C1608 CH 1H 030C-T
C1106	4030006880	S.CER C1608 JB 1H 472K-T
C1108	4030011600	S.CER C1608 JB 1E 104K-T
C1201	4030006880	S.CER C1608 JB 1H 472K-T
C1202	4030006880	S.CER C1608 JB 1H 472K-T
C1203	4030011600	S.CER C1608 JB 1E 104K-T
C1204	4030006880	S.CER C1608 JB 1H 472K-T
C1205	4030007010	S.CER C1608 CH 1H 100D-T
C1206	4030006880	S.CER C1608 JB 1H 472K-T
C1207	4030006880	S.CER C1608 JB 1H 472K-T
C1208	4030007010	S.CER C1608 CH 1H 100D-T
C1209	4030006880	S.CER C1608 JB 1H 472K-T
C1301	4030011600	S.CER C1608 JB 1E 104K-T
C1305	4030011600	S.CER C1608 JB 1E 104K-T
C1307	4030011600	S.CER C1608 JB 1E 104K-T
C1308	4030011600	S.CER C1608 JB 1E 104K-T
C1309	4030011600	S.CER C1608 JB 1E 104K-T
C1310	4030011600	S.CER C1608 JB 1E 104K-T
C1401	4030011600	S.CER C1608 JB 1E 104K-T
C1402	4030011600	S.CER C1608 JB 1E 104K-T
C1404	4030011600	S.CER C1608 JB 1E 104K-T
C1405	4510008570	S.ELE EEE1CA220SR
C1501	4030011600	S.CER C1608 JB 1E 104K-T
C1502	4030011600	S.CER C1608 JB 1E 104K-T
C1504	4030011600	S.CER C1608 JB 1E 104K-T
C1505	4030011600	S.CER C1608 JB 1E 104K-T
C1507	4030011600	S.CER C1608 JB 1E 104K-T
C1508	4030010760	S.CER C1608 CH 1H 331J-T
C1509	4030011600	S.CER C1608 JB 1E 104K-T
C1510	4030011600	S.CER C1608 JB 1E 104K-T
C1511	4030011340	S.CER C1608 CH 1H 471J-T
C1512	4510008550	S.ELE EEE1HA010SR
C1513	4510008520	S.ELE EEE1CA470SP
C1514	4030011600	S.CER C1608 JB 1E 104K-T
C1515	4030011600	S.CER C1608 JB 1E 104K-T

[MAIN UNIT]

REF NO.	ORDER NO.	DESCRIPTION
C1516	4030011600	S.CER C1608 JB 1E 104K-T
C1601	4030011600	S.CER C1608 JB 1E 104K-T
C1602	4030006860	S.CER C1608 JB 1H 102K-T
C1611	4030011600	S.CER C1608 JB 1E 104K-T
C1613	4030011600	S.CER C1608 JB 1E 104K-T
C1615	4510009120	S.ELE EEE1VA2R2NR
C1621	4030011600	S.CER C1608 JB 1E 104K-T
C1623	4030011600	S.CER C1608 JB 1E 104K-T
C1624	4030011600	S.CER C1608 JB 1E 104K-T
C1625	4030011600	S.CER C1608 JB 1E 104K-T
C1631	4030011600	S.CER C1608 JB 1E 104K-T
C1632	4030011600	S.CER C1608 JB 1E 104K-T
C1701	4030011600	S.CER C1608 JB 1E 104K-T
C1702	4030011600	S.CER C1608 JB 1E 104K-T
C1704	4030006880	S.CER C1608 JB 1H 472K-T
C1706	4510009120	S.ELE EEE1VA2R2NR
C1707	4030011600	S.CER C1608 JB 1E 104K-T
C1708	4030011600	S.CER C1608 JB 1E 104K-T
C1751	4030011600	S.CER C1608 JB 1E 104K-T
C1752	4030011600	S.CER C1608 JB 1E 104K-T
C1801	4030006880	S.CER C1608 JB 1H 472K-T
C1802	4510009120	S.ELE EEE1VA2R2NR
C1803	4510008550	S.ELE EEE1HA010SR
C1804	4030011600	S.CER C1608 JB 1E 104K-T
C1805	4510008560	S.ELE EEE1HAR47SR
C1812	4030007130	S.CER C1608 CH 1H 101J-T
C1813	4030006880	S.CER C1608 JB 1H 472K-T
C1814	4510008540	S.ELE EEE1CA100SR
C1815	4030007150	S.CER C1608 CH 1H 151J-T
C1901	4550006390	S.TAN TEESVA 1C 335M8R
C1902	4030006880	S.CER C1608 JB 1H 472K-T
C1903	4030006880	S.CER C1608 JB 1H 472K-T
C1904	4030011600	S.CER C1608 JB 1E 104K-T
C1905	4030006880	S.CER C1608 JB 1H 472K-T
C2001	4030011600	S.CER C1608 JB 1E 104K-T
C2002	4030007130	S.CER C1608 CH 1H 101J-T
C2003	4030011600	S.CER C1608 JB 1E 104K-T
C2004	4030011600	S.CER C1608 JB 1E 104K-T
C2005	4510008550	S.ELE EEE1HA010SR
C2006	4030006880	S.CER C1608 JB 1H 472K-T
C2007	4030011600	S.CER C1608 JB 1E 104K-T
C2008	4030011600	S.CER C1608 JB 1E 104K-T
C2009	4510008540	S.ELE EEE1CA100SR
C2010	4030011600	S.CER C1608 JB 1E 104K-T
C2101	4510008550	S.ELE EEE1HA010SR
C2102	4030011600	S.CER C1608 JB 1E 104K-T
C2103	4030011600	S.CER C1608 JB 1E 104K-T
C2104	4030006870	S.CER C1608 JB 1H 222K-T
C2105	4030006870	S.CER C1608 JB 1H 222K-T
C2107	4030011600	S.CER C1608 JB 1E 104K-T
C2201	4510008520	S.ELE EEE1CA470SP
C2202	4030011600	S.CER C1608 JB 1E 104K-T
C2203	4030011600	S.CER C1608 JB 1E 104K-T
C2204	4510008550	S.ELE EEE1HA010SR
C2205	4030007130	S.CER C1608 CH 1H 101J-T
C2206	4030011600	S.CER C1608 JB 1E 104K-T
C2207	4030008920	S.CER C1608 JB 1H 473K-T
C2208	4030011340	S.CER C1608 CH 1H 471J-T
C2209	4510008550	S.ELE EEE1HA010SR
C2210	4030011340	S.CER C1608 CH 1H 471J-T
C2211	4510008540	S.ELE EEE1CA100SR
C2212	4510008540	S.ELE EEE1CA100SR
C2213	4030011600	S.CER C1608 JB 1E 104K-T
C2214	4030011600	S.CER C1608 JB 1E 104K-T
C2215	4510008550	S.ELE EEE1HA010SR
C2216	4030011600	S.CER C1608 JB 1E 104K-T
C2217	4030008910	S.CER C1608 JB 1H 393K-T
C2219	4510008560	S.ELE EEE1HAR47SR
C2301	4030011600	S.CER C1608 JB 1E 104K-T
C2303	4030011600	S.CER C1608 JB 1E 104K-T
C2304	4510008540	S.ELE EEE1CA100SR
C2305	4510008540	S.ELE EEE1CA100SR
C2306	4030011600	S.CER C1608 JB 1E 104K-T
C2309	4030011600	S.CER C1608 JB 1E 104K-T
C2310	4030011600	S.CER C1608 JB 1E 104K-T
C2312	4510008560	S.ELE EEE1HAR47SR
C2313	4030011600	S.CER C1608 JB 1E 104K-T
C2314	4030011600	S.CER C1608 JB 1E 104K-T
C2315	4510008560	S.ELE EEE1HAR47SR
C2352	4030006870	S.CER C1608 JB 1H 222K-T
C2353	4030011330	S.CER C1608 CH 1H 391J-T
C2354	4510008540	S.ELE EEE1CA100SR
C2380	4030011600	S.CER C1608 JB 1E 104K-T
C2381	4510008540	S.ELE EEE1CA100SR
C2382	4030011600	S.CER C1608 JB 1E 104K-T
C2383	4510008540	S.ELE EEE1CA100SR
C2384	4510008550	S.ELE EEE1HA010SR
C2401	4030006880	S.CER C1608 JB 1H 472K-T
C2402	4030006880	S.CER C1608 JB 1H 472K-T
C2403	4030006860	S.CER C1608 JB 1H 102K-T
C2405	4030011600	S.CER C1608 JB 1E 104K-T
C2501	4030011600	S.CER C1608 JB 1E 104K-T
C2601	4030011600	S.CER C1608 JB 1E 104K-T
C2602	4550006390	S.TAN TEESVA 1C 335M8R
C2701	4510008540	S.ELE EEE1CA100SR
C2702	4030010760	S.CER C1608 CH 1H 331J-T
C2703	4510008540	S.ELE EEE1CA100SR
C2704	4510008540	S.ELE EEE1CA100SR
C2705	4510008540	S.ELE EEE1CA100SR
C2706	4510008540	S.ELE EEE1CA100SR
C2708	4510008540	S.ELE EEE1CA100SR
C2709	4510008540	S.ELE EEE1CA100SR
C2710	4510009120	S.ELE EEE1VA2R2NR
C2720	4030011600	S.CER C1608 JB 1E 104K-T

M.=Mounted side (T: Mounted on the Top side, B: Mounted on the Bottom side)
S.=Surface mount

[MAIN UNIT]

REF NO.	ORDER NO.	DESCRIPTION
C2721	4510004990	ELE 16 ME 100 HC
C2722	4510008520	S.ELE EEE1CA470SP
C2723	4510008520	S.ELE EEE1CA470SP
C2801	4030011600	S.CER C1608 JB 1E 104K-T
C2901	4030008920	S.CER C1608 JB 1H 473K-T
C2902	4510008540	S.ELE EEE1CA100SR
C2903	4030011600	S.CER C1608 JB 1E 104K-T
C2904	4030011600	S.CER C1608 JB 1E 104K-T
C2905	4510004601	ELE 16 ME 1000 HC
C2906	4510004591	ELE 16 ME 470 HC
C2907	4030011600	S.CER C1608 JB 1E 104K-T
C3001	4030011600	S.CER C1608 JB 1E 104K-T
C3002	4030011600	S.CER C1608 JB 1E 104K-T
C3003	4030011600	S.CER C1608 JB 1E 104K-T
C3004	4030011600	S.CER C1608 JB 1E 104K-T
C3005	4030011600	S.CER C1608 JB 1E 104K-T
C3006	4510004591	ELE 16 ME 470 HC
C3007	4510004591	ELE 16 ME 470 HC
C3101	4030011600	S.CER C1608 JB 1E 104K-T
C3301	4030011600	S.CER C1608 JB 1E 104K-T
C3302	4030011600	S.CER C1608 JB 1E 104K-T
C3401	4510004990	ELE 16 ME 100 HC
C3402	4030011600	S.CER C1608 JB 1E 104K-T
C3403	4030011600	S.CER C1608 JB 1E 104K-T
C3404	4510004990	ELE 16 ME 100 HC
C3501	4510008520	S.ELE EEE1CA470SP
C3502	4030011600	S.CER C1608 JB 1E 104K-T
C3503	4510008570	S.ELE EEE1CA220SR
C3504	4030011600	S.CER C1608 JB 1E 104K-T
C3505	4030006880	S.CER C1608 JB 1H 472K-T
C3506	4030011600	S.CER C1608 JB 1E 104K-T
C3507	4510008520	S.ELE EEE1CA470SP
C3508	4510008520	S.ELE EEE1CA470SP
C3509	4030011600	S.CER C1608 JB 1E 104K-T
C3510	4510008540	S.ELE EEE1CA100SR
C3511	4030011600	S.CER C1608 JB 1E 104K-T
C3512	4510008520	S.ELE EEE1CA470SP
C3513	4030011600	S.CER C1608 JB 1E 104K-T
C3601	4510008540	S.ELE EEE1CA100SR
C3602	4030011600	S.CER C1608 JB 1E 104K-T
C3702	4550006390	S.TAN TEESVA 1C 335M8R
C3801	4030006880	S.CER C1608 JB 1H 472K-T
C4003	4030011600	S.CER C1608 JB 1E 104K-T
C4005	4030011600	S.CER C1608 JB 1E 104K-T
C4006	4030011600	S.CER C1608 JB 1E 104K-T
C4007	4030011600	S.CER C1608 JB 1E 104K-T
C4008	4030011600	S.CER C1608 JB 1E 104K-T
C4009	4030011600	S.CER C1608 JB 1E 104K-T
C4101	4030006880	S.CER C1608 JB 1H 472K-T
C4102	4030006880	S.CER C1608 JB 1H 472K-T
C4103	4030006880	S.CER C1608 JB 1H 472K-T
C4104	4030006880	S.CER C1608 JB 1H 472K-T
C4105	4030006880	S.CER C1608 JB 1H 472K-T
C4106	4030006880	S.CER C1608 JB 1H 472K-T
C4107	4030006880	S.CER C1608 JB 1H 472K-T
C4200	4030006880	S.CER C1608 JB 1H 472K-T
C4201	4030007090	S.CER C1608 CH 1H 470J-T
C4202	4030007090	S.CER C1608 CH 1H 470J-T
C4203	4030007090	S.CER C1608 CH 1H 470J-T
C4204	4030007090	S.CER C1608 CH 1H 470J-T
C4205	4030007090	S.CER C1608 CH 1H 470J-T
C4206	4030007090	S.CER C1608 CH 1H 470J-T
C4207	4030007090	S.CER C1608 CH 1H 470J-T
C4208	4030007090	S.CER C1608 CH 1H 470J-T
C4209	4030007090	S.CER C1608 CH 1H 470J-T
C4210	4030007090	S.CER C1608 CH 1H 470J-T
C4211	4030006880	S.CER C1608 JB 1H 472K-T
C4212	4030006880	S.CER C1608 JB 1H 472K-T
C4213	4030006880	S.CER C1608 JB 1H 472K-T
C4214	4030006880	S.CER C1608 JB 1H 472K-T
C4215	4030006880	S.CER C1608 JB 1H 472K-T
C4216	4030006880	S.CER C1608 JB 1H 472K-T
C4217	4030006880	S.CER C1608 JB 1H 472K-T
C4218	4030006880	S.CER C1608 JB 1H 472K-T
C4219	4030006880	S.CER C1608 JB 1H 472K-T
C4220	4030011600	S.CER C1608 JB 1E 104K-T
C4221	4030006880	S.CER C1608 JB 1H 472K-T
C4222	4030006880	S.CER C1608 JB 1H 472K-T
C4223	4030006880	S.CER C1608 JB 1H 472K-T
C4224	4030006880	S.CER C1608 JB 1H 472K-T
C4225	4030006880	S.CER C1608 JB 1H 472K-T
C4226	4030006880	S.CER C1608 JB 1H 472K-T
C4227	4030011600	S.CER C1608 JB 1E 104K-T
C4401	4030006880	S.CER C1608 JB 1H 472K-T
C4402	4030006880	S.CER C1608 JB 1H 472K-T
C4403	4030006880	S.CER C1608 JB 1H 472K-T
C4404	4030006880	S.CER C1608 JB 1H 472K-T
C4405	4030006880	S.CER C1608 JB 1H 472K-T
C4407	4030006880	S.CER C1608 JB 1H 472K-T
C4408	4030006880	S.CER C1608 JB 1H 472K-T
C4409	4030006880	S.CER C1608 JB 1H 472K-T
C4410	4030006880	S.CER C1608 JB 1H 472K-T
C4411	4030006880	S.CER C1608 JB 1H 472K-T
C4412	4030006880	S.CER C1608 JB 1H 472K-T
C4413	4030006880	S.CER C1608 JB 1H 472K-T
C4414	4030006880	S.CER C1608 JB 1H 472K-T
C4415	4030011600	S.CER C1608 JB 1E 104K-T
C4416	4030006880	S.CER C1608 JB 1H 472K-T
C4417	4030006860	S.CER C1608 JB 1H 102K-T
C4501	4030006880	S.CER C1608 JB 1H 472K-T
C4502	4030006860	S.CER C1608 JB 1H 102K-T
C4648	4030006880	S.CER C1608 JB 1H 472K-T
C4651	4030006880	S.CER C1608 JB 1H 472K-T
C4653	4030006880	S.CER C1608 JB 1H 472K-T

[MAIN UNIT]

REF NO.	ORDER NO.	DESCRIPTION
C4654	4030006880	S.CER C1608 JB 1H 472K-T
C4655	4030006880	S.CER C1608 JB 1H 472K-T
C4656	4030006880	S.CER C1608 JB 1H 472K-T
C4659	4030006880	S.CER C1608 JB 1H 472K-T
C4660	4030006880	S.CER C1608 JB 1H 472K-T
C4661	4030006880	S.CER C1608 JB 1H 472K-T
C4662	4030006880	S.CER C1608 JB 1H 472K-T
C4801	4030006880	S.CER C1608 JB 1H 472K-T
C4802	4030006880	S.CER C1608 JB 1H 472K-T
C4803	4030006880	S.CER C1608 JB 1H 472K-T
C5001	4030006860	S.CER C1608 JB 1H 102K-T
C5101	4030006880	S.CER C1608 JB 1H 472K-T
C5102	4030006880	S.CER C1608 JB 1H 472K-T
C5601	4030011600	S.CER C1608 JB 1E 104K-T
C5602	4030011600	S.CER C1608 JB 1E 104K-T
C5604	4510009120	S.ELE EEE1VA2R2NR
RL4801	6330001320	RLY AHY103
J1	6510007020	CNR TMP-J01X-V6
J201	6510018961	S.CNR B2B-PH-SM4-TB (LF) (SN)
J401	6510018961	S.CNR B2B-PH-SM4-TB (LF) (SN)
J701	6510007020	CNR TMP-J01X-V6
J2001	6510018961	S.CNR B2B-PH-SM4-TB (LF) (SN)
J3601	6510003391	CNR B03B-EH-S (LF) (SN)
J4001	6510022621	S.CNR 10FMN-BMTRR-A-TBT (LF) (SN)
J4101	6510022611	S.CNR 16FMN-BMTRR-A-TBT (LF) (SN)
J4201	6510021721	S.CNR 30FLT-SM2-TB (LF) (SN)
J4401	6510021721	S.CNR 30FLT-SM2-TB (LF) (SN)
J4501	6450000140	CNR HSJ0807-01-010
J4502	6510018961	S.CNR B2B-PH-SM4-TB (LF) (SN)
J4651	6510024661	CNR TCS5072-1041577
J4801	6450001130	CNR JPJ2042-01-110
J5001	6450000140	CNR HSJ0807-01-010
J5101	6450001791	CNR HLJ7000-016010
W801	7030003860	S.RES ERJ3GE JPW V
W1202	7030003860	S.RES ERJ3GE JPW V
W1311	7030003860	S.RES ERJ3GE JPW V
W1726	7030003860	S.RES ERJ3GE JPW V
W2101	7030003860	S.RES ERJ3GE JPW V
W2201	7030003860	S.RES ERJ3GE JPW V
W2351	7030003860	S.RES ERJ3GE JPW V
W2603	7030003860	S.RES ERJ3GE JPW V
W3601	7030003860	S.RES ERJ3GE JPW V
W4216	7030003860	S.RES ERJ3GE JPW V
W4401	7030003860	S.RES ERJ3GE JPW V
W4801	7030003860	S.RES ERJ3GE JPW V
W4802	7030003860	S.RES ERJ3GE JPW V
W4803	7030003860	S.RES ERJ3GE JPW V
EP4801	6910012350	S.BEA MMZ1608Y 102BT

M.=Mounted side (T: Mounted on the Top side, B: Mounted on the Bottom side)
S.=Surface mount

[PLL UNIT]

REF NO.	ORDER NO.	DESCRIPTION	
IC1	1180001071	S.IC	TA7805F (TE16L,Q)
IC2	1140004550	S.IC	M65343FP/SC1287
IC6	1140007881	S.IC	TC190G08FEG0046J/DZ/SC1246A
IC7	1130003611	S.IC	TC4SU69F (TE85R,F)
Q9	1530002371	S.TR	2SC2714-O (TE85R,F)
Q10	1530002371	S.TR	2SC2714-O (TE85R,F)
Q11	1530002371	S.TR	2SC2714-O (TE85R,F)
Q12	1530002060	S.TR	2SC4081 T106 R
Q18	1560000491	S.FET	2SK508-T2B-A K52
Q26	1530002371	S.TR	2SC2714-O (TE85R,F)
Q28	1530002371	S.TR	2SC2714-O (TE85R,F)
Q29	1530002371	S.TR	2SC2714-O (TE85R,F)
Q30	1530002371	S.TR	2SC2714-O (TE85R,F)
Q32	1530002371	S.TR	2SC2714-O (TE85R,F)
Q33	1590000680	S.TR	DTC114EUA T106
Q34	1530002060	S.TR	2SC4081 T106 R
Q35	1530002060	S.TR	2SC4081 T106 R
D4	1720000860	S.VCP	KV1770S G 1-2
D12	1750000021	S.DIO	1SS184 (TE85R,F)
D15	1750000071	S.DIO	1SS226 (TE85R,F)
D16	1790001250	S.DIO	MA2S111-(TX)
X1	6050007351	XTL	CR-337A (32.000 MHz)
L1	6200009300	S.COL	ELJPA 100KF 10U
L2	6200001831	S.COL	NLV32T-100J
L3	6170000230	COL	LW-25
L4	61500004370	COL	LS-472C (C-15045)
L5	6200001831	S.COL	NLV32T-100J
L6	61500004250	COL	LS-471A (C-14922)
L7	61500004250	COL	LS-471A (C-14922)
L8	6200001831	S.COL	NLV32T-100J
L9	6200003960	S.COL	MLF1608A 1R0K-T
L10	6200003640	S.COL	MLF1608E 100K-T
L12	6200003261	S.COL	NLV32T-101J
L14	6200003131	S.COL	NLV32T-120J
L15	6200003141	S.COL	NLV32T-150J
L19	6190001281	COL	#E544GN-110248
L25	6200001831	S.COL	NLV32T-100J
L26	6170000230	COL	LW-25
L27	6170000230	COL	LW-25
L30	6200001831	S.COL	NLV32T-100J
L32	6200003051	S.COL	NLV32T-FR82J
L34	6200003431	S.COL	NLV32T-R10J
L35	6200003421	S.COL	NLV32T-R15J
L36	6200003431	S.COL	NLV32T-R10J
L37	6200003451	S.COL	NLV32T-082J
L38	6200003331	S.COL	NLV32T-1R0J
L39	6200003051	S.COL	NLV32T-FR82J
L41	6200001831	S.COL	NLV32T-100J
L42	6200003051	S.COL	NLV32T-FR82J
L44	6200003161	S.COL	NLV32T-270J
L45	6200001711	S.COL	NLV32T-220J
L46	6200003151	S.COL	NLV32T-180J
L47	6200001831	S.COL	NLV32T-100J
L48	6200003041	S.COL	NLV32T-FR6J
L49	6200004470	S.COL	MLF1608D R12K-T
L50	6200004470	S.COL	MLF1608D R12K-T
R2	7030003320	S.RES	ERJ3GEYJ 101 V (100)
R3	7030003480	S.RES	ERJ3GEYJ 222 V (2.2 k)
R4	7030003400	S.RES	ERJ3GEYJ 471 V (470)
R5	7030003320	S.RES	ERJ3GEYJ 101 V (100)
R6	7030003560	S.RES	ERJ3GEYJ 103 V (10 k)
R7	7030003360	S.RES	ERJ3GEYJ 221 V (220)
R8	7030003360	S.RES	ERJ3GEYJ 221 V (220)
R9	7030003600	S.RES	ERJ3GEYJ 223 V (22 k)
R10	7030003600	S.RES	ERJ3GEYJ 223 V (22 k)
R12	7030003580	S.RES	ERJ3GEYJ 153 V (15 k)
R13	7030003400	S.RES	ERJ3GEYJ 471 V (470)
R14	7030003520	S.RES	ERJ3GEYJ 472 V (4.7 k)
R15	7030003320	S.RES	ERJ3GEYJ 101 V (100)
R16	7030003600	S.RES	ERJ3GEYJ 223 V (22 k)
R17	7030003360	S.RES	ERJ3GEYJ 221 V (220)
R18	7030003360	S.RES	ERJ3GEYJ 221 V (220)
R19	7030003360	S.RES	ERJ3GEYJ 221 V (220)
R20	7030003400	S.RES	ERJ3GEYJ 471 V (470)
R21	7030003560	S.RES	ERJ3GEYJ 103 V (10 k)
R22	7030003640	S.RES	ERJ3GEYJ 473 V (47 k)
R23	7030003560	S.RES	ERJ3GEYJ 103 V (10 k)
R44	7030003640	S.RES	ERJ3GEYJ 473 V (47 k)
R49	7030003360	S.RES	ERJ3GEYJ 221 V (220)
R51	7030003510	S.RES	ERJ3GEYJ 392 V (3.9 k)
R52	7030003420	S.RES	ERJ3GEYJ 681 V (680)
R53	7030003510	S.RES	ERJ3GEYJ 392 V (3.9 k)
R57	7030003440	S.RES	ERJ3GEYJ 102 V (1 k)
R74	7030003550	S.RES	ERJ3GEYJ 822 V (8.2 k)
R75	7030003510	S.RES	ERJ3GEYJ 392 V (3.9 k)
R78	7030003320	S.RES	ERJ3GEYJ 101 V (100)
R84	7030003500	S.RES	ERJ3GEYJ 332 V (3.3 k)
R85	7030003550	S.RES	ERJ3GEYJ 822 V (8.2 k)
R87	7030003320	S.RES	ERJ3GEYJ 101 V (100)
R88	7030003320	S.RES	ERJ3GEYJ 101 V (100)
R89	7030003400	S.RES	ERJ3GEYJ 471 V (470)
R90	7030003400	S.RES	ERJ3GEYJ 471 V (470)
R91	7030003440	S.RES	ERJ3GEYJ 102 V (1 k)
R93	7030003440	S.RES	ERJ3GEYJ 102 V (1 k)

[PLL UNIT]

REF NO.	ORDER NO.	DESCRIPTION	
R94	7030003440	S.RES	ERJ3GEYJ 102 V (1 k)
R95	7030003440	S.RES	ERJ3GEYJ 102 V (1 k)
R96	7030003440	S.RES	ERJ3GEYJ 102 V (1 k)
R97	7030003440	S.RES	ERJ3GEYJ 102 V (1 k)
R98	7030003440	S.RES	ERJ3GEYJ 102 V (1 k)
R99	7030003440	S.RES	ERJ3GEYJ 102 V (1 k)
R102	7030006080	S.RES	ERJ1WYJ220U (22)
R103	7030003640	S.RES	ERJ3GEYJ 473 V (47 k)
R104	7030003640	S.RES	ERJ3GEYJ 473 V (47 k)
R105	7030003640	S.RES	ERJ3GEYJ 473 V (47 k)
R106	7030003640	S.RES	ERJ3GEYJ 473 V (47 k)
R107	7030003640	S.RES	ERJ3GEYJ 473 V (47 k)
R108	7030003640	S.RES	ERJ3GEYJ 473 V (47 k)
R116	7030003320	S.RES	ERJ3GEYJ 101 V (100)
R117	7030003640	S.RES	ERJ3GEYJ 473 V (47 k)
R118	7030003280	S.RES	ERJ3GEYJ 470 V (47)
R119	7030003640	S.RES	ERJ3GEYJ 473 V (47 k)
R120	7030003640	S.RES	ERJ3GEYJ 473 V (47 k)
R121	7030003360	S.RES	ERJ3GEYJ 221 V (220)
R127	7030003480	S.RES	ERJ3GEYJ 222 V (2.2 k)
R156	7030003350	S.RES	ERJ3GEYJ 181 V (180)
R158	7030003320	S.RES	ERJ3GEYJ 101 V (100)
R159	7030003560	S.RES	ERJ3GEYJ 103 V (10 k)
R160	7030003560	S.RES	ERJ3GEYJ 103 V (10 k)
R161	7030003360	S.RES	ERJ3GEYJ 221 V (220)
R162	7030003430	S.RES	ERJ3GEYJ 821 V (820)
R164	7030003440	S.RES	ERJ3GEYJ 102 V (1 k)
R165	7030003800	S.RES	ERJ3GEYJ 105 V (1 M)
R166	7030003800	S.RES	ERJ3GEYJ 105 V (1 M)
R169	7030003260	S.RES	ERJ3GEYJ 330 V (33)
R171	7030003350	S.RES	ERJ3GEYJ 181 V (180)
R172	7030003350	S.RES	ERJ3GEYJ 181 V (180)
R180	7030003480	S.RES	ERJ3GEYJ 222 V (2.2 k)
R181	7030003580	S.RES	ERJ3GEYJ 153 V (15 k)
R182	7030003620	S.RES	ERJ3GEYJ 333 V (33 k)
R183	7030003520	S.RES	ERJ3GEYJ 472 V (4.7 k)
R191	7030003350	S.RES	ERJ3GEYJ 181 V (180)
R192	7030003440	S.RES	ERJ3GEYJ 102 V (1 k)
C1	4510008500	S.ELE	EEE1CA101WP
C2	4550006080	S.TAN	TEESVB2 1C 106M8R
C3	4030006880	S.CER	C1608 JB 1H 472K-T
C4	4550006080	S.TAN	TEESVB2 1C 106M8R
C5	4510008880	S.ELE	EEE1VA330WP
C6	4510008540	S.ELE	EEE1CA100SR
C7	4030011600	S.CER	C1608 JB 1E 104K-T
C8	4510008540	S.ELE	EEE1CA100SR
C9	4510008540	S.ELE	EEE1CA100SR
C10	4030011600	S.CER	C1608 JB 1E 104K-T
C12	4030006880	S.CER	C1608 JB 1H 472K-T
C13	4030006880	S.CER	C1608 JB 1H 472K-T
C14	4030007150	S.CER	C1608 CH 1H 151J-T
C15	4030008330	S.CER	C1608 UJ 1H 560J-T
C16	4610002200	S.TRI	TZB4R200EB10R00
C17	4030006880	S.CER	C1608 JB 1H 472K-T
C18	4030007130	S.CER	C1608 CH 1H 101J-T
C19	4030006880	S.CER	C1608 JB 1H 472K-T
C20	4030007030	S.CER	C1608 CH 1H 150J-T
C21	4510008500	S.ELE	EEE1CA101WP
C22	4030006880	S.CER	C1608 JB 1H 472K-T
C23	4030009500	S.CER	C1608 CH 1H 0R5B-T
C24	4030007030	S.CER	C1608 CH 1H 150J-T
C25	4030018700	S.CER	GRM1882P1H121JZ01D
C26	4030007130	S.CER	C1608 CH 1H 101J-T
C27	4030006880	S.CER	C1608 JB 1H 472K-T
C28	4030006880	S.CER	C1608 JB 1H 472K-T
C29	4030006880	S.CER	C1608 JB 1H 472K-T
C30	4030006880	S.CER	C1608 JB 1H 472K-T
C31	4030006880	S.CER	C1608 JB 1H 472K-T
C32	4030006880	S.CER	C1608 JB 1H 472K-T
C33	4510008500	S.ELE	EEE1CA101WP
C34	4030006880	S.CER	C1608 JB 1H 472K-T
C50	4030007050	S.CER	C1608 CH 1H 220J-T
C51	4030006930	S.CER	C1608 CH 1H 020C-T
C52	4030007060	S.CER	C1608 CH 1H 270J-T
C53	4030009500	S.CER	C1608 CH 1H 0R5B-T
C54	4030007050	S.CER	C1608 CH 1H 220J-T
C55	4030006880	S.CER	C1608 JB 1H 472K-T
C62	4030007130	S.CER	C1608 CH 1H 101J-T
C63	4030006880	S.CER	C1608 JB 1H 472K-T
C64	4030006880	S.CER	C1608 JB 1H 472K-T
C65	4030006920	S.CER	C1608 CH 1H 010C-T
C66	4030006880	S.CER	C1608 JB 1H 472K-T
C67	4030007130	S.CER	C1608 CH 1H 101J-T
C68	4030006860	S.CER	C1608 JB 1H 102K-T
C103	4030006880	S.CER	C1608 JB 1H 472K-T
C104	4030006880	S.CER	C1608 JB 1H 472K-T
C106	4030006880	S.CER	C1608 JB 1H 472K-T
C108	4030006880	S.CER	C1608 JB 1H 472K-T
C109	4030006880	S.CER	C1608 JB 1H 472K-T
C111	4030006860	S.CER	C1608 JB 1H 102K-T
C112	4030007100	S.CER	C1608 CH 1H 560J-T
C114	4030007080	S.CER	C1608 CH 1H 390J-T
C115	4030009650	S.CER	C1608 CH 1H 240J-T
C116	4030006990	S.CER	C1608 CH 1H 080D-T
C117	4030007070	S.CER	C1608 CH 1H 330J-T
C118	4030006880	S.CER	C1608 JB 1H 472K-T
C119	4030006860	S.CER	C1608 JB 1H 102K-T
C120	4030006880	S.CER	C1608 JB 1H 472K-T
C126	4030006880	S.CER	C1608 JB 1H 472K-T
C127	4030006860	S.CER	C1608 JB 1H 102K-T
C128	4030006880	S.CER	C1608 JB 1H 472K-T
C129	4030006880	S.CER	C1608 JB 1H 472K-T

M.=Mounted side (T: Mounted on the Top side, B: Mounted on the Bottom side)
S.=Surface mount

[PLL UNIT]

REF NO.	ORDER NO.	DESCRIPTION
C130	4030006860	S.CER C1608 JB 1H 102K-T
C132	4030007130	S.CER C1608 CH 1H 101J-T
C134	4030007100	S.CER C1608 CH 1H 560J-T
C135	4030006950	S.CER C1608 CH 1H 040C-T
C136	4030007020	S.CER C1608 CH 1H 120J-T
C137	4030007110	S.CER C1608 CH 1H 680J-T
C138	4030007100	S.CER C1608 CH 1H 560J-T
C139	4030006880	S.CER C1608 JB 1H 472K-T
C141	4030006880	S.CER C1608 JB 1H 472K-T
C143	4030006880	S.CER C1608 JB 1H 472K-T
C144	4030006880	S.CER C1608 JB 1H 472K-T
C145	4030006880	S.CER C1608 JB 1H 472K-T
C146	4030006880	S.CER C1608 JB 1H 472K-T
C147	4030006880	S.CER C1608 JB 1H 472K-T
C148	4030006880	S.CER C1608 JB 1H 472K-T
C149	4030006880	S.CER C1608 JB 1H 472K-T
C150	4030006880	S.CER C1608 JB 1H 472K-T
C151	4030006880	S.CER C1608 JB 1H 472K-T
C152	4030006880	S.CER C1608 JB 1H 472K-T
C153	4030006880	S.CER C1608 JB 1H 472K-T
C155	4030006880	S.CER C1608 JB 1H 472K-T
C156	4030007050	S.CER C1608 CH 1H 220J-T
C157	4030007080	S.CER C1608 CH 1H 390J-T
C158	4030006860	S.CER C1608 JB 1H 102K-T
C159	4030006860	S.CER C1608 JB 1H 102K-T
C160	4030006880	S.CER C1608 JB 1H 472K-T
C161	4030008920	S.CER C1608 JB 1H 473K-T
C165	4610001850	S.TRI TZB4R200AB10R00
C166	4550000460	S.TAN TEESVA 1C 105M8R
C167	4030006880	S.CER C1608 JB 1H 472K-T
C168	4030008920	S.CER C1608 JB 1H 473K-T
C170	4030006880	S.CER C1608 JB 1H 472K-T
C172	4030007060	S.CER C1608 CH 1H 270J-T
C174	4030008920	S.CER C1608 JB 1H 473K-T
C188	4030011600	S.CER C1608 JB 1E 104K-T
C191	4030006880	S.CER C1608 JB 1H 472K-T
C192	4030006880	S.CER C1608 JB 1H 472K-T
C194	4030011340	S.CER C1608 CH 1H 471J-T
C195	4030011340	S.CER C1608 CH 1H 471J-T
C203	4030006880	S.CER C1608 JB 1H 472K-T
C222	4030006880	S.CER C1608 JB 1H 472K-T
C223	4030011600	S.CER C1608 JB 1E 104K-T
C224	4030011600	S.CER C1608 JB 1E 104K-T
C225	4030006940	S.CER C1608 CH 1H 030C-T
C226	4030006940	S.CER C1608 CH 1H 030C-T
C227	4030007100	S.CER C1608 CH 1H 560J-T
C228	4550002890	S.TAN TEESVA 1A 225M8R
J1	6510018961	S.CNR B2B-PH-SM4-TB (LF) (SN)
J3	6510022611	S.CNR 16FMN-BMTTR-A-TBT (LF) (SN)
J4	6510018961	S.CNR B2B-PH-SM4-TB (LF) (SN)
W1	7030003860	S.RES ERJ3GE JPW V
W7	7030003860	S.RES ERJ3GE JPW V
W9	7030003860	S.RES ERJ3GE JPW V
W10	7030003860	S.RES ERJ3GE JPW V
W92	7030003860	S.RES ERJ3GE JPW V
W170	7030003860	S.RES ERJ3GE JPW V

[PA UNIT]

REF NO.	ORDER NO.	DESCRIPTION
IC1	1180001251	S.IC TA7808F (TE16L,Q)
Q1	1560001241	S.FET RD01MUS1-T113
Q2	1560001530	FET RD15HVF1-101
Q3	1560001530	FET RD15HVF1-101
Q4	1560001391	FET RD70HHF1-101
Q5	1560001391	FET RD70HHF1-101
Q7	1590003280	S.TR UNR9211J-(TX)
D4	1790000700	DIO DSA3A1
D5	1790000700	DIO DSA3A1
D6	1160000050	S.DIO DAP202U T106
D7	1730000481	S.ZEN RD10M-T2B-A B3
D8	1160000060	S.DIO DAN202U T106
D9	1160000060	S.DIO DAN202U T106
D10	1160000060	S.DIO DAN202U T106
D11	1160000060	S.DIO DAN202U T106
L1	6140002350	COL LR-274 (RIB4X7X5 3A6)
L2	6140002980	COL LR-143 <KN>
L3	6140003600	COL LR-401 <KN>
L4	6140003590	COL LR-400 (TR10X5X5 6H3)
L5	6140004570	COL LR-507
L24	6200003241	S.COL NLV32T-221J
L25	6200003241	S.COL NLV32T-221J
R1	7030003310	S.RES ERJ3GEYJ 820 V (82)
R2	7030003510	S.RES ERJ3GEYJ 392 V (3.9 k)
R3	7030003400	S.RES ERJ3GEYJ 471 V (470)
R4	7030006210	S.RES ERJ12YJ4R7U (4.7)
R5	7030006240	S.RES ERJ12YJ181U (180)
R6	7030003450	S.RES ERJ3GEYJ 122 V (1.2 k)
R7	7030000220	S.RES MCR10EZHZJ 47 (470)
R8	7030000220	S.RES MCR10EZHZJ 47 (470)
R9	7030011300	S.RES ERJ1TY 331U (330)
R10	7030011300	S.RES ERJ1TY 331U (330)
R11	7030003230	S.RES ERJ3GEYJ 180 V (18)
R12	7030003370	S.RES ERJ3GEYJ 271 V (270)
R13	7030003370	S.RES ERJ3GEYJ 271 V (270)
R15	7030010540	S.RES ERJ1TYJ 330U (33)
R16	7030010540	S.RES ERJ1TYJ 330U (33)
R17	7030003480	S.RES ERJ3GEYJ 222 V (2.2 k)
R18	7030003480	S.RES ERJ3GEYJ 222 V (2.2 k)
R19	7030010570	S.RES ERJ1TYJ 4R7U (4.7)
R20	7030000010	S.RES MCR10EZHZJ JPW (000)
R22	7030010950	S.RES ERJ1TYJ 100U (10)
R26	7030003440	S.RES ERJ3GEYJ 102 V (1 k)
R27	7030003440	S.RES ERJ3GEYJ 102 V (1 k)
R28	7030004040	S.RES ERJ3GEYJ 4R7 V (4.7)
R29	7030003420	S.RES ERJ3GEYJ 681 V (680)
R31	7030003470	S.RES ERJ3GEYJ 182 V (1.8 k)
R32	7030010570	S.RES ERJ1TYJ 4R7U (4.7)
R33	7030010570	S.RES ERJ1TYJ 4R7U (4.7)
R34	7030010540	S.RES ERJ1TYJ 330U (33)
R36	7030010540	S.RES ERJ1TYJ 330U (33)
R37	7030010410	S.RES ERJ1TYJ 220U (22)
R38	7030010410	S.RES ERJ1TYJ 220U (22)
R39	7030011240	S.RES LRF3W-LF-01-R020F
R40	7030011240	S.RES LRF3W-LF-01-R020F
R46	7030003510	S.RES ERJ3GEYJ 392 V (3.9 k)
R47	7030003510	S.RES ERJ3GEYJ 392 V (3.9 k)
R49	7030007630	S.RES MCR100JZHJ 0.68 (R68)
R50	7510001360	S.TMR NTCG20 3SH 333JT
R51	7310005240	TRI VM5CK-PVB 5 k
R52	7030003860	S.RES ERJ3GE JPW V
R53	7030003860	S.RES ERJ3GE JPW V
R54	7030003860	S.RES ERJ3GE JPW V
R55	7030003440	S.RES ERJ3GEYJ 102 V (1 k)
R56	7310005240	TRI VM5CK-PVB 5 k
R57	7030003440	S.RES ERJ3GEYJ 102 V (1 k)
R58	7310005240	TRI VM5CK-PVB 5 k
R60	7030007630	S.RES MCR100JZHJ 0.68 (R68)
R61	7030003360	S.RES ERJ3GEYJ 221 V (220)
R62	7310005200	TRI VM5CK-PVB 2 k
R63	7030003360	S.RES ERJ3GEYJ 221 V (220)
R64	7310005200	TRI VM5CK-PVB 2 k
C1	4030017320	S.CER GRM21BB11H104KA01L (GRM40-034)
C2	4030004720	S.CER C2012 JB 1H 102K-T
C3	4030004720	S.CER C2012 JB 1H 102K-T
C4	4030008920	S.CER C1608 JB 1H 473K-T
C5	4030017190	S.CER GRM31AR32J471KW01D
C6	4030017190	S.CER GRM31AR32J471KW01D
C15	4320000270	DMI DM20C 102J5
C17	4030008920	S.CER C1608 JB 1H 473K-T
C19	4030008920	S.CER C1608 JB 1H 473K-T
C21	4030005110	S.CER C2012 JB 1E 473K-T
C22	4030006860	S.CER C1608 JB 1H 102K-T
C27	4510004601	ELE 16 ME 1000 HC
C28	4030006880	S.CER C1608 JB 1H 472K-T
C29	4030011600	S.CER C1608 JB 1E 104K-T
C30	4030007170	S.CER C1608 CH 1H 221J-T
C31	4030005110	S.CER C2012 JB 1E 473K-T
C32	4510004601	ELE 16 ME 1000 HC
C33	4030006880	S.CER C1608 JB 1H 472K-T
C34	4030007170	S.CER C1608 CH 1H 221J-T
C42	4510004601	ELE 16 ME 1000 HC
C45	4030006880	S.CER C1608 JB 1H 472K-T
C46	4030006880	S.CER C1608 JB 1H 472K-T

[OTH], [OTH-1] only

M.=Mounted side (T: Mounted on the Top side, B: Mounted on the Bottom side)
S.=Surface mount

[PA UNIT]

REF NO.	ORDER NO.	DESCRIPTION
C47	4030006880	S.CER C1608 JB 1H 472K-T
C52	4030008920	S.CER C1608 JB 1H 473K-T
C53	4030008920	S.CER C1608 JB 1H 473K-T
C54	4030008920	S.CER C1608 JB 1H 473K-T
C55	4030006880	S.CER C1608 JB 1H 472K-T
C56	4030006880	S.CER C1608 JB 1H 472K-T
C57	4030006880	S.CER C1608 JB 1H 472K-T
C64	4030018750	S.CER C3225 CH 2J 682K-T [OTH-2], [OTH-3] only
C65	4030018750	S.CER C3225 CH 2J 682K-T [OTH-2], [OTH-3] only
C68	4030011740	S.CER GRM32N2C2H201JV01L (GRM42-2 CH)
C69	4030011740	S.CER GRM32N2C2H201JV01L (GRM42-2 CH)
C70	4030005050	S.CER C2012 CH 1H 331J-T
C72	4030011240	S.CER GRM31M2C2H470JV01L
C73	4030018750	S.CER C3225 CH 2J 682K-T [OTH-2], [OTH-3] only
C74	4030018750	S.CER C3225 CH 2J 682K-T [OTH-2], [OTH-3] only
C75	4030011740	S.CER GRM32N2C2H201JV01L (GRM42-2 CH)
C77	4030006880	S.CER C1608 JB 1H 472K-T
C78	4030006880	S.CER C1608 JB 1H 472K-T
C79	4030006880	S.CER C1608 JB 1H 472K-T
C80	4030006880	S.CER C1608 JB 1H 472K-T
C81	4030017320	S.CER GRM21BB11H104KA01L (GRM40-034)
C82	4030017320	S.CER GRM21BB11H104KA01L (GRM40-034)
C83	4030008920	S.CER C1608 JB 1H 473K-T
C84	4030008920	S.CER C1608 JB 1H 473K-T
C85	4030008920	S.CER C1608 JB 1H 473K-T
C86	4030008920	S.CER C1608 JB 1H 473K-T
C87	4030011600	S.CER C1608 JB 1E 104K-T
C94	4030011600	S.CER C1608 JB 1E 104K-T
C102	4510008520	S.ELE EEE1CA470SP
C103	4510008520	S.ELE EEE1CA470SP
C104	4030011600	S.CER C1608 JB 1E 104K-T
C105	4030011600	S.CER C1608 JB 1E 104K-T
C111	4030011740	S.CER GRM32N2C2H201JV01L (GRM42-2 CH)
C112	4030011740	S.CER GRM32N2C2H201JV01L (GRM42-2 CH)
C113	4320000270	DMI DM20C 102J5 .
RL1	6330001600	RLY ALD 112
J3	6510022611	S.CNR 16FMN-BMTR-A-TBT (LF) (SN)
J6	6510007020	CNR TMP-J01X-V6
J7	6510007020	CNR TMP-J01X-V6
F1	5210000131	FUS FGB 4A PBF (FGB0 125V)
F2	5220000230	HOL S-N5054 [OTH]
F3	5220000230	HOL S-N5054 [OTH]
EP1	6910019200	S.BEA N2012ZPS121T50
EP2	6910019200	S.BEA N2012ZPS121T50
EP6	6910012350	S.BEA MMZ1608Y 102BT
EP8	6910019200	S.BEA N2012ZPS121T50
EP11	6910012350	S.BEA MMZ1608Y 102BT
EP14	6910012350	S.BEA MMZ1608Y 102BT
EP21	6910012350	S.BEA MMZ1608Y 102BT
EP26	6910018930	S.BEA MPZ2012S601A
EP27	6910018930	S.BEA MPZ2012S601A

[FILTER UNIT]

REF NO.	ORDER NO.	DESCRIPTION
D1	1160000070	S.DIO DAN202K T146
D2	1790000980	S.DIO MA742 (TX)
D3	1790000980	S.DIO MA742 (TX)
L1	6140001990	COL LR-226 (T68-2)
L2	6140002000	COL LR-227 (T68-2)
L3	6140001780	COL LR-214 (T50-2)
L4	6140001790	COL LR-215 (T50-2)
L5	6140001800	COL LR-216 (T50-2)
L6	6140001800	COL LR-216 (T50-2)
L7	6140003500	COL LR-392 (T50-10)
L8	6140003500	COL LR-392 (T50-10)
L9	6110002910	COL LA-480
L10	6110002920	COL LA-481
L11	6110002890	COL LA-478
L12	6110002900	COL LA-479
L13	6140003490	COL LR-391 (TR10X5X5 3A6)
L14	6140002520	COL LR-290 (TR6X3X2 7A3)
L15	6200002041	S.COL NLV25T-101J
L16	6200005051	S.COL NLV25T-330J
L17	6200005051	S.COL NLV25T-330J
L18	6200005051	S.COL NLV25T-330J
L19	6200005051	S.COL NLV25T-330J
L20	6200005011	S.COL NLV25T-100J
L21	6200005011	S.COL NLV25T-100J
L22	6200002041	S.COL NLV25T-101J
L23	6200002041	S.COL NLV25T-101J
L24	6140001810	COL LR-217 (T50-10)
L25	6110001680	COL LA-254
L100	6200005051	S.COL NLV25T-330J
L101	6200005051	S.COL NLV25T-330J
L102	6200005011	S.COL NLV25T-100J
L103	6200005051	S.COL NLV25T-330J
L104	6200005011	S.COL NLV25T-100J
L105	6200005051	S.COL NLV25T-330J
R1	7540000250	ABS. SA05C 401N
R2	7030003590	S.RES ERJ3GEYJ 183 V (18 k)
R3	7030008190	S.RES ERJ12YJ330U (33)
R4	7030003560	S.RES ERJ3GEYJ 103 V (10 k)
R5	7030003560	S.RES ERJ3GEYJ 103 V (10 k)
R6	7030003560	S.RES ERJ3GEYJ 103 V (10 k)
R7	7030003400	S.RES ERJ3GEYJ 471 V (470)
R8	7030003640	S.RES ERJ3GEYJ 473 V (47 k)
R9	7030003640	S.RES ERJ3GEYJ 473 V (47 k)
R20	7030003580	S.RES ERJ3GEYJ 153 V (15 k)
C1	4030008920	S.CER C1608 JB 1H 473K-T
C2	4030008920	S.CER C1608 JB 1H 473K-T
C3	4030008920	S.CER C1608 JB 1H 473K-T
C4	4030008920	S.CER C1608 JB 1H 473K-T
C5	4030008920	S.CER C1608 JB 1H 473K-T
C6	4030008920	S.CER C1608 JB 1H 473K-T
C7	4030008920	S.CER C1608 JB 1H 473K-T
C8	4030008920	S.CER C1608 JB 1H 473K-T
C9	4030006880	S.CER C1608 JB 1H 472K-T
C10	4030006880	S.CER C1608 JB 1H 472K-T
C11	4030006880	S.CER C1608 JB 1H 472K-T
C12	4030006880	S.CER C1608 JB 1H 472K-T
C13	4030006880	S.CER C1608 JB 1H 472K-T
C14	4030007130	S.CER C1608 CH 1H 101J-T
C15	4030007010	S.CER C1608 CH 1H 100D-T
C16	4030007130	S.CER C1608 CH 1H 101J-T
C17	4610001340	TRI ECR-LA010 A12
C18	4030007160	S.CER C1608 CH 1H 181J-T
C19	4030006870	S.CER C1608 JB 1H 222K-T
C20	4030011340	S.CER C1608 CH 1H 471J-T
C21	4030011340	S.CER C1608 CH 1H 471J-T
C22	4010007510	CER HM17SJ SL 821J 500V
C23	4010005880	CER HM95SJ SL 271J 500V
C24	4010005880	CER HM95SJ SL 271J 500V
C25	4010007510	CER HM17SJ SL 821J 500V
C26	4030012480	S.CER GRM31M2C2H121JV01L
C27	4010007510	CER HM17SJ SL 821J 500V
C28	4010005870	CER HM95SJ SL 221J 500V
C29	4010005850	CER HM95SJ SL 181J 500V
C30	4010005360	CER HM11SJ SL 301J 500V
C31	4010005870	CER HM95SJ SL 221J 500V
C32	4010005930	CER HM11SJ SL 391J 500V
C33	4010005750	CER HM60SJ SL 680J 500V
C34	4010005870	CER HM95SJ SL 221J 500V
C35	4010005870	CER HM95SJ SL 221J 500V
C36	4010005870	CER HM95SJ SL 221J 500V
C37	4010005360	CER HM11SJ SL 301J 500V
C38	4030011550	S.CER GRM31M2C2H680JV01L
C39	4010005780	CER HM60SJ SL 101J 500V [CHN], [CHN-01] only
C40	4010005370	CER HM11SJ SL 331J 500V
C41	4010005360	CER HM11SJ SL 301J 500V [CHN], [CHN-01] only
C43	4010005760	CER HM60SJ SL 750J 500V [OTH], [OTH-1], [CHN], [CHN-01] only
C44	4010005880	CER HM95SJ SL 271J 500V [OTH], [OTH-1] only
C45	4010005820	CER HM74SJ SL 121J 500V
C46	4010005860	CER HM95SJ SL 201J 500V
C47	4010005780	CER HM60SJ SL 101J 500V
C48	4030014460	S.CER GRM31M2C2H820JV01L
C49	4010005830	CER HM74SJ SL 151J 500V
C50	4030011180	S.CER GRM31M2C2H220JV01L
C51	4030014460	S.CER GRM31M2C2H820JV01L
C52	4030011550	S.CER GRM31M2C2H680JV01L
C53	4010005730	CER HM60SJ SL 470J 500V
C54	4010005850	CER HM95SJ SL 181J 500V

M.=Mounted side (T: Mounted on the Top side, B: Mounted on the Bottom side)
S.=Surface mount

[FILTER UNIT]

REF NO.	ORDER NO.	DESCRIPTION	
C55	4030011240	S.CER	GRM31M2C2H470JV01L
C56	4010005770	CER	HM60SJ SL 820J 500V
C58	4030011240	S.CER	GRM31M2C2H470JV01L
C60	4010005620	CER	HM60SJ SL 120J 500V
C61	4030014460	S.CER	GRM31M2C2H820JV01L
C63	4030006870	S.CER	C1608 JB 1H 222K-T
C64	4010007590	CER	HM15SJ SL 681J 500V
C65	4010007590	CER	HM15SJ SL 681J 500V
C66	4010007590	CER	HM15SJ SL 681J 500V
C67	4010007590	CER	HM15SJ SL 681J 500V
C68	4010005930	CER	HM11SJ SL 391J 500V
C69	4010005930	CER	HM11SJ SL 391J 500V
C70	4030006880	S.CER	C1608 JB 1H 472K-T
C71	4030006880	S.CER	C1608 JB 1H 472K-T
C72	4030006880	S.CER	C1608 JB 1H 472K-T
C73	4030006880	S.CER	C1608 JB 1H 472K-T
C74	4030006880	S.CER	C1608 JB 1H 472K-T
C75	4030006880	S.CER	C1608 JB 1H 472K-T
C76	4030006880	S.CER	C1608 JB 1H 472K-T
C78	4030011730	S.CER	GRM31M2C2H101JV01L
C80	4010005930	CER	HM11SJ SL 391J 500V
C81	4010005930	CER	HM11SJ SL 391J 500V
C103	4030011090	S.CER	GRM31M2C2H7R0DV01L
C104	4030011550	S.CER	GRM31M2C2H680JV01L
C107	4030011170	S.CER	GRM31M2C2H180JV01L
C108	4030011510	S.CER	GRM31M2C2H560JV01L
C110	4030011090	S.CER	GRM31M2C2H7R0DV01L
RL1	6330001471	RLY	AJS1311F-K2
RL2	6330001471	RLY	AJS1311F-K2
RL3	6330001471	RLY	AJS1311F-K2
RL4	6330001471	RLY	AJS1311F-K2
RL5	6330001471	RLY	AJS1311F-K2
RL6	6330001471	RLY	AJS1311F-K2
RL7	6330001471	RLY	AJS1311F-K2
RL8	6330001471	RLY	AJS1311F-K2
RL9	6330001471	RLY	AJS1311F-K2
RL10	6330001471	RLY	AJS1311F-K2
RL11	6330001471	RLY	AJS1311F-K2
RL12	6330001471	RLY	AJS1311F-K2
RL13	6330001330	RLY	AG 201344
J1	6510022631	CNR	10FMN-BTRK-A (LF) (SN)
J2	6510007020	CNR	TMP-J01X-V6
J3	6510007020	CNR	TMP-J01X-V6
J4	6910001040	CNR	IPS-1136
J5	6910001040	CNR	IPS-1136
W2	9001502002	WIR	72/98/030/X98/X98 [OTH], [OTH-1], [CHN], [CHN-01] only
W3	6910001031	JMP	IPS-1041-4-PT
W4	6910001031	JMP	IPS-1041-4-PT
W5	7030008240	S.RES	ERJ12Y0R00U
W72	7030003860	S.RES	ERJ3GE JPW V
W73	7030003860	S.RES	ERJ3GE JPW V

[OTH], [OTH-1] only

[PHONE BOARD]

REF NO.	ORDER NO.	DESCRIPTION	
L1	6200003950	S.COL	HF50ACC 322513-T
R1	7030006070	S.RES	ERJ12YJ101U (100)
R2	7030006070	S.RES	ERJ12YJ101U (100)
R3	7030003440	S.RES	ERJ3GEYJ 102 V (1 k)
C1	4030006880	S.CER	C1608 JB 1H 472K-T
C2	4030006880	S.CER	C1608 JB 1H 472K-T
C3	4030006880	S.CER	C1608 JB 1H 472K-T
J1	6450001250	CNR	HLJ4306-01-3070
J2	6510022621	S.CNR	10FMN-BMTTR-A-TBT (LF) (SN)

[SENSOR BOARD]

REF NO.	ORDER NO.	DESCRIPTION	
S1	2260002430	SW	SW-165 (SRBM1L)

M.=Mounted side (T: Mounted on the Top side, B: Mounted on the Bottom side)
S.=Surface mount

[FRONT UNIT]

REF NO.	ORDER NO.	DESCRIPTION	
SP1	2510000671	SP	VS-C50-0827
W3	8900014740	CBL	OPC-885A (P1,N10,L39) <TJM>
W4	8900014740	CBL	OPC-885A (P1,N10,L39) <TJM>
W5	8900014730	CBL	OPC-683A (P1,N10,L110) <TJM>
EP2	6450001230	E.OTH	HLJ0999-01-480

[VR UNIT]

REF NO.	ORDER NO.	DESCRIPTION	
R1	7210003040	VAR	TP96D26-22F-10KBX2-2240
R2	7210003030	VAR	TP96D00-22F-10KBX2-2240
R4	7030003540	S.RES	ERJ3GEYJ 682 V (6.8 k)
J1	6510022051	S.CNR	10FM-1.0SP-1.9-TF (LF) (SN)

[MIC UNIT]

REF NO.	ORDER NO.	DESCRIPTION	
J1	6510000191	CNR	FM214-8SS (P) -1
J2	6510022621	S.CNR	10FMN-BMTTR-A-TBT (LF) (SN)

SECTION 7

MECHANICAL PARTS

[FRONT UNIT]

REF NO.	ORDER NO.	DESCRIPTION	QTY.
P1	6510018980	PHR-2	1
SP1	2510000671	VS-C50-0827	1
EP2	6450001230	HLJ0999-01-480 (Snap plate)	1
MP1	8210016622	2241 FRONT PANEL-2	1
MP2	8930050940	2241 21-KEY	1
MP3	8930050930	2241 3-KEY	1
MP4	8930050960	2241 POWER KEY	1
MP5	8930050950	2241 LOCK KEY	1
MP6	8010018001	2241 SUB CHASSIS-1	1
MP7	8930050981	2241 PHONE HOLDER-1	1
MP8	8930001770	Saran net	1
MP9	8610010420	Knob N-261	1
MP10	8610010420	Knob N-261	1
MP11	8610010710	Knob N-272	1
MP12	8610010710	Knob N-272	1
MP13	8610007510	Knob spring NO.7800	1
MP14	8610007510	Knob spring NO.7800	1
MP15	8610010800	Knob N-278	1
MP16	8930050990	2241 PLATE	1
MP22	8810008661	Screw BT B0 3X8 NI-ZC3 (BT)	5
MP23	8810009131	Screw BT B0 3X12NI-ZC3 (BT)	6
MP25	8930036870	Sponge (DZ)	1
MP31	8930071480	2242 JACK RUBBER	1
MP32	8930071490	2242 F-SPONGE	2
MP34	8930072980	INSULATION SHEET (LW)	2

[MAIN UNIT]

REF NO.	ORDER NO.	DESCRIPTION	QTY.
MP1	8510013040	2241 MIXER CASE	1
MP25	8510013140	2241 DC-A CASE	1
MP301	8930005320	Filter spacer	2
EP70	8930051450	SRCN-2241-SP-N-W	2
EP152	6910012350	MMZ1608Y102BT	1
EP155	6910012350	MMZ1608Y102BT	1
EP157	6910012350	MMZ1608Y102BT	1
EP159	6910012350	MMZ1608Y102BT	1

[LOGIC UNIT]

REF NO.	ORDER NO.	DESCRIPTION	QTY.
MP1	8210016610	2241 REFLECTOR	1
MP2	8930050970	2241 LCD HOLDER	1
MP3	8930051090	2241 LCD FILTER	1
MP4	8930072670	2241 LCD RUBBER	1

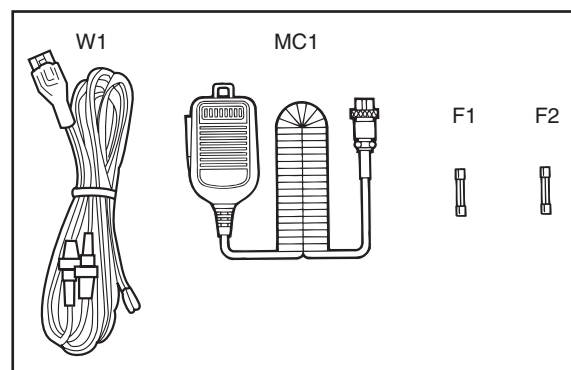
†: Optional product

[CHASSIS PARTS]

REF NO.	ORDER NO.	DESCRIPTION	QTY.
J1	6510000370	MR-DS	1
MF1	2710000520	SB0812H-ICOM-00	1
EP1	8930021010	DP-500 DOMED PLUG	1
EP2	6910000310	B312D INSULATION sheet	1
EP3	6910000340	P101 KD sheet	1
MP1	8110007051	2241 L-COVER-1	1
MP2	8110007063	2241 U-COVER-3	1
MP3	8010018022	2241 CHASSIS-2	1
MP4	8930037001	1691 EARTH PLATE-1	1
MP6	8930002900	Rubber leg (A)	2
MP7	8010001520	Stand (C)	1
MP8	8930005790	Color reg (A)	1
MP9	8930005800	Color reg (B)	1
MP10	8930018520	TR clip (A)	1
MP11	8930018520	TR clip (A)	1
MP12	8810009651	Screw B0 3X8 NI-ZC3 (BT)	4
MP13	8810008661	Screw BT B0 3X8 NI-ZC3 (BT)	2
MP14	8810008661	Screw BT B0 3X8 NI-ZC3 (BT)	5
MP15	8810008661	Screw BT B0 3X8 NI-ZC3 (BT)	7
MP16	8810008661	Screw BT B0 3X8 NI-ZC3 (BT)	6
MP17	8810008661	Screw BT B0 3X8 NI-ZC3 (BT)	9
MP18	8810008661	Screw BT B0 3X8 NI-ZC3 (BT)	4
MP19	8810008661	Screw BT B0 3X8 NI-ZC3 (BT)	1
MP20	8810003171	Setscrew (A) 3X8 ZC3	8
MP21	8820000551	Cap bolt M4X8 ZK3	4
MP22	8810005771	Screw BiH M3X8 ZK3	14
MP23	8820000530	Flange bolt M4X8 NI	1
MP24	8850000140	Flat washer M4 BS NI	2
MP25	8850000430	S-washer M4 NI	1
MP26	8930052550	2241 SHEET	2
MP28	8810009131	Screw BT B0 3X12NI-ZC3 (BT)	2
MP29	8930052080	2241 EARTH SPRING	2
MP31	8930007120	Thermal sheet (B)	2
MP33	8930004070	Earth spring (C)	1
MP34	8810008661	Screw BT B0 3X8 NI-ZC3 (BT)	5
MP35	8510013471	2241 PA COVER-1	1

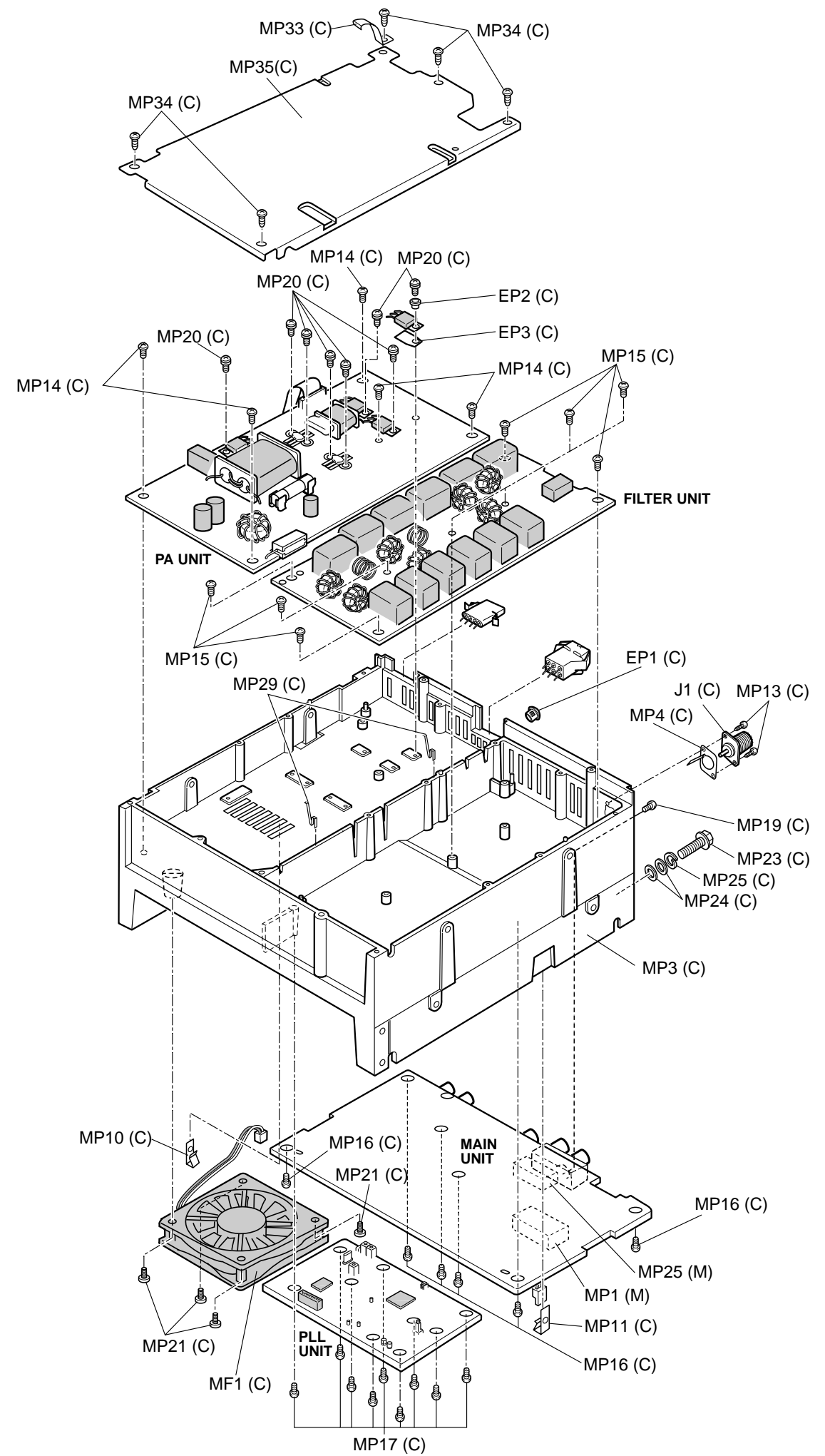
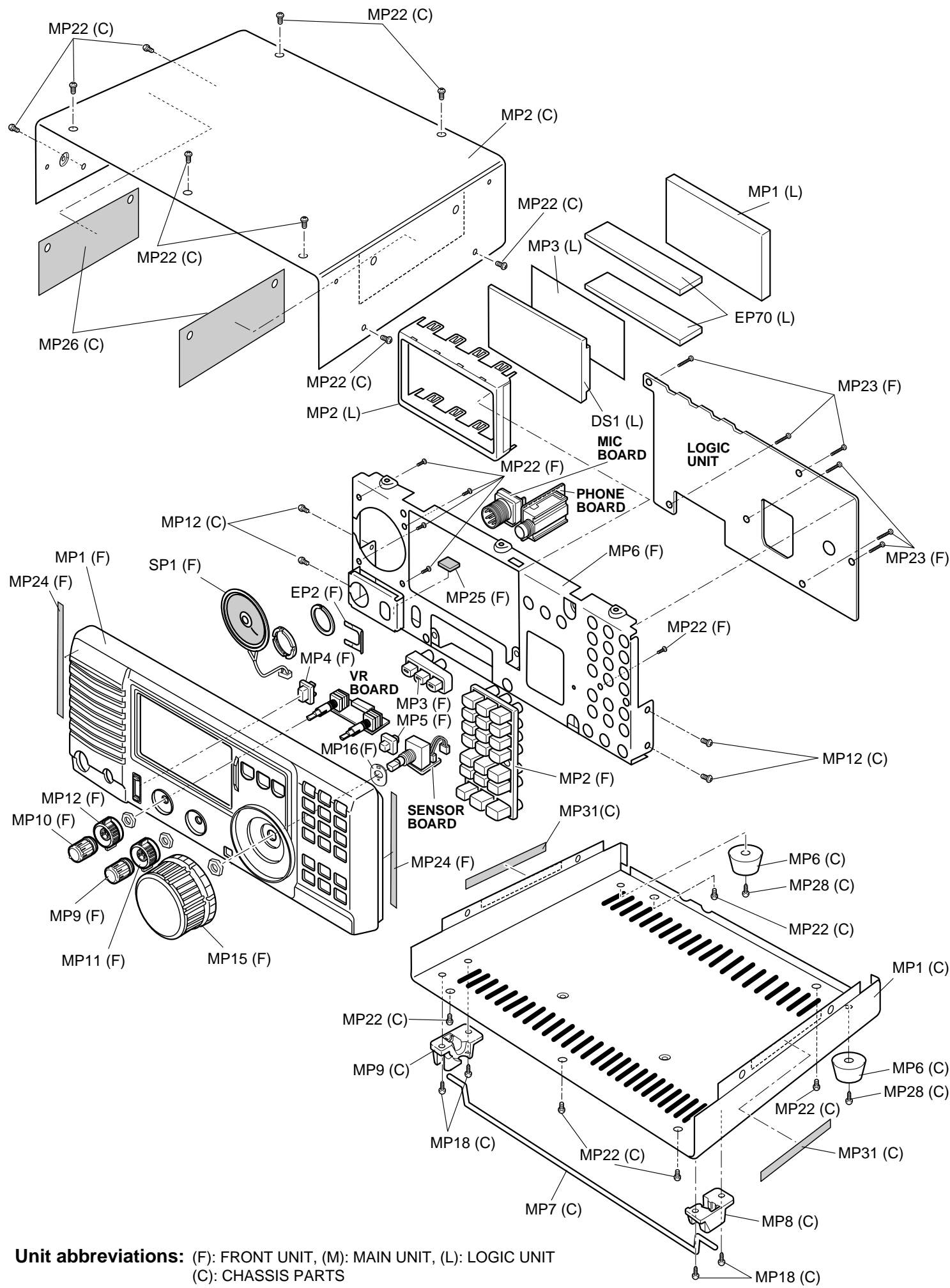
[ACCESSORIES]

REF NO.	ORDER NO.	DESCRIPTION	QTY.
MC1	(†)	HM-36	1
F1	5210000080	FGB 20A	1
F2	5210000131	FGB 4A PBF	1
W1	(†)	OPC-025A	1



Screw abbreviations

A, B0, BT: Self-tapping PH: Pan head ZK: Black NI-ZU: Nickel-Zinc SUS: Stainless



Unit abbreviations: (F): FRONT UNIT, (M): MAIN UNIT, (L): LOGIC UNIT
(C): CHASSIS PARTS

SECTION 8 SEMI-CONDUCTOR INFORMATION

8-1 TRANSISTORS

NAME	SYMBOL	INSIDE VIEW
2SA1576A R	FR	
2SC1971 2SC3133	None None	
2SC2714-O 2SC4081 R	QO BR	
2SC2904	None	
2SC4673D-TD	CO	
2SD1585K	None	
2SD1619-T-TD 2SD1664 T100Q	DB DA	
2SK508 2SK1740-TA	K52 IJ	

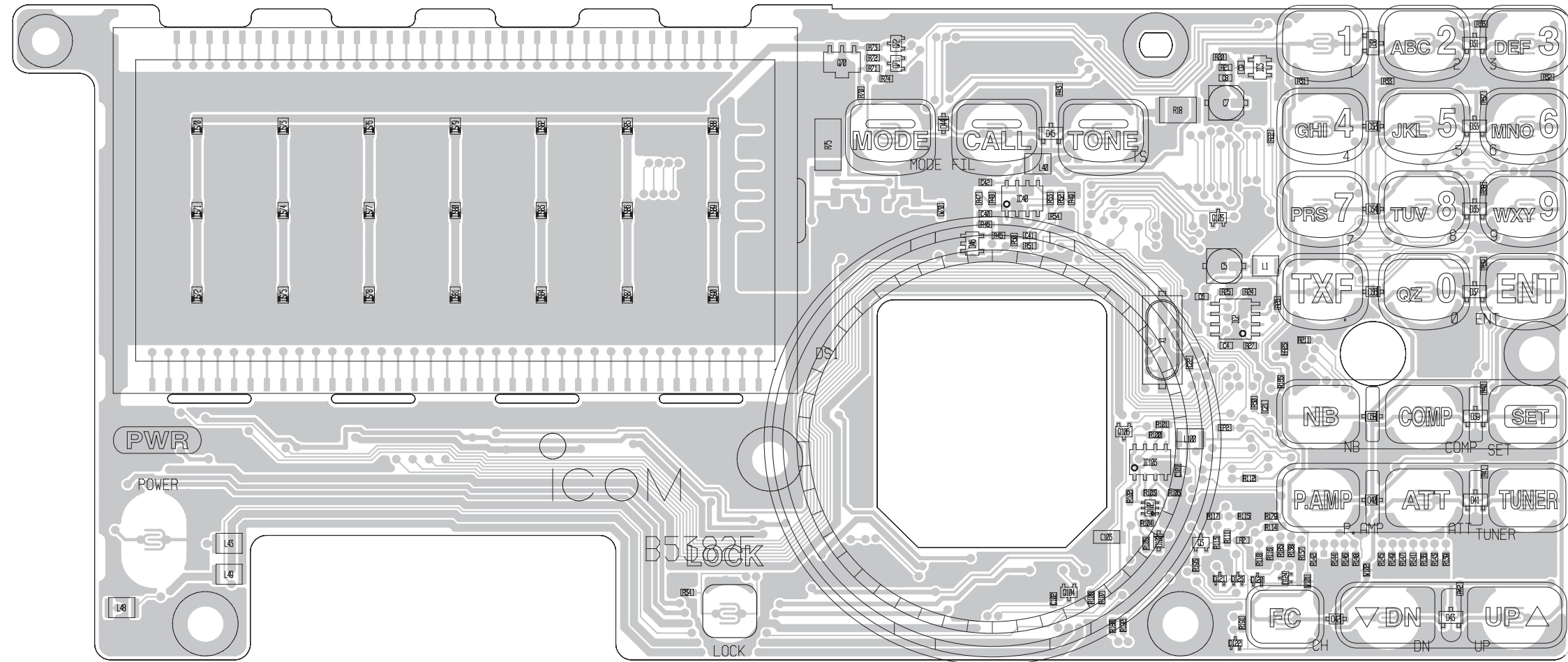
NAME	SYMBOL	INSIDE VIEW
2SK882-GR	TG	
2SK2171-4	KM	
3SK131-T2 MAS	V11	
DTA114EE TL DTA114EUA T106	14 16	
DTC114EE TL DTC114EUA UN9211 (TX)	24 24 8A	
UMD6N TR	D6	
XP4311 (TX)	7X	
XP4601 (TX)	5C	

8-2 DIODES

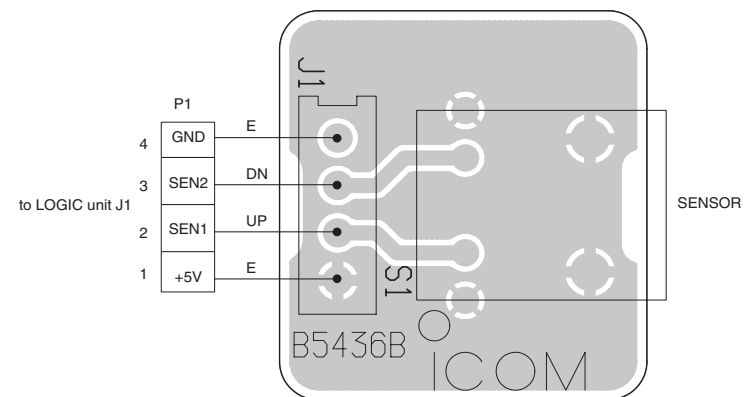
NAME	SYMBOL	INSIDE VIEW
1SS184 DAN202K	B3 N	
1SS226 1SS375-TL DA221 TL MA742	C3 FH K M1U	
1SS355 MA2S111 MA2S728	A A B	
1SV312	BB	
DAP202K T146 DAP222 TL	P P	
HSB88WSTR	Silver line	
KV1470TL	F7	

NAME	SYMBOL	INSIDE VIEW
MA29B	Y	
MA77	4B	
MA8043-H MA8051-M (TX)	4^3 5-1	
NNCD6.2G-T1	62G	
RD10M-T2B3	103	

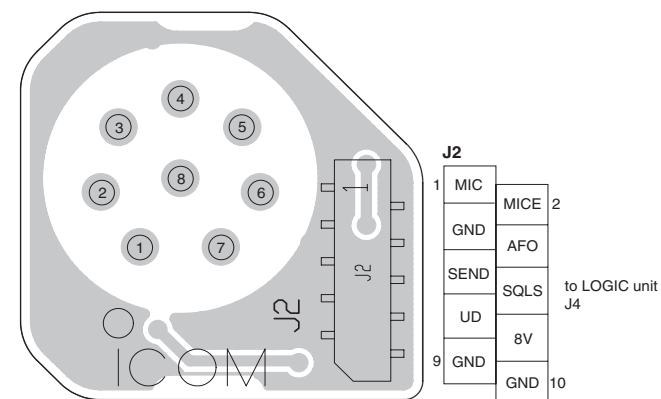
• LOGIC UNIT (TOP VIEW)



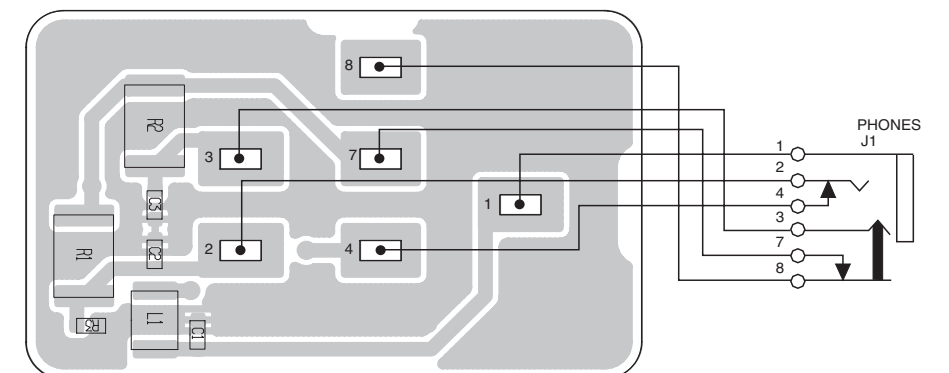
• SENSOR BOARD



• MIC BOARD (TOP VIEW)

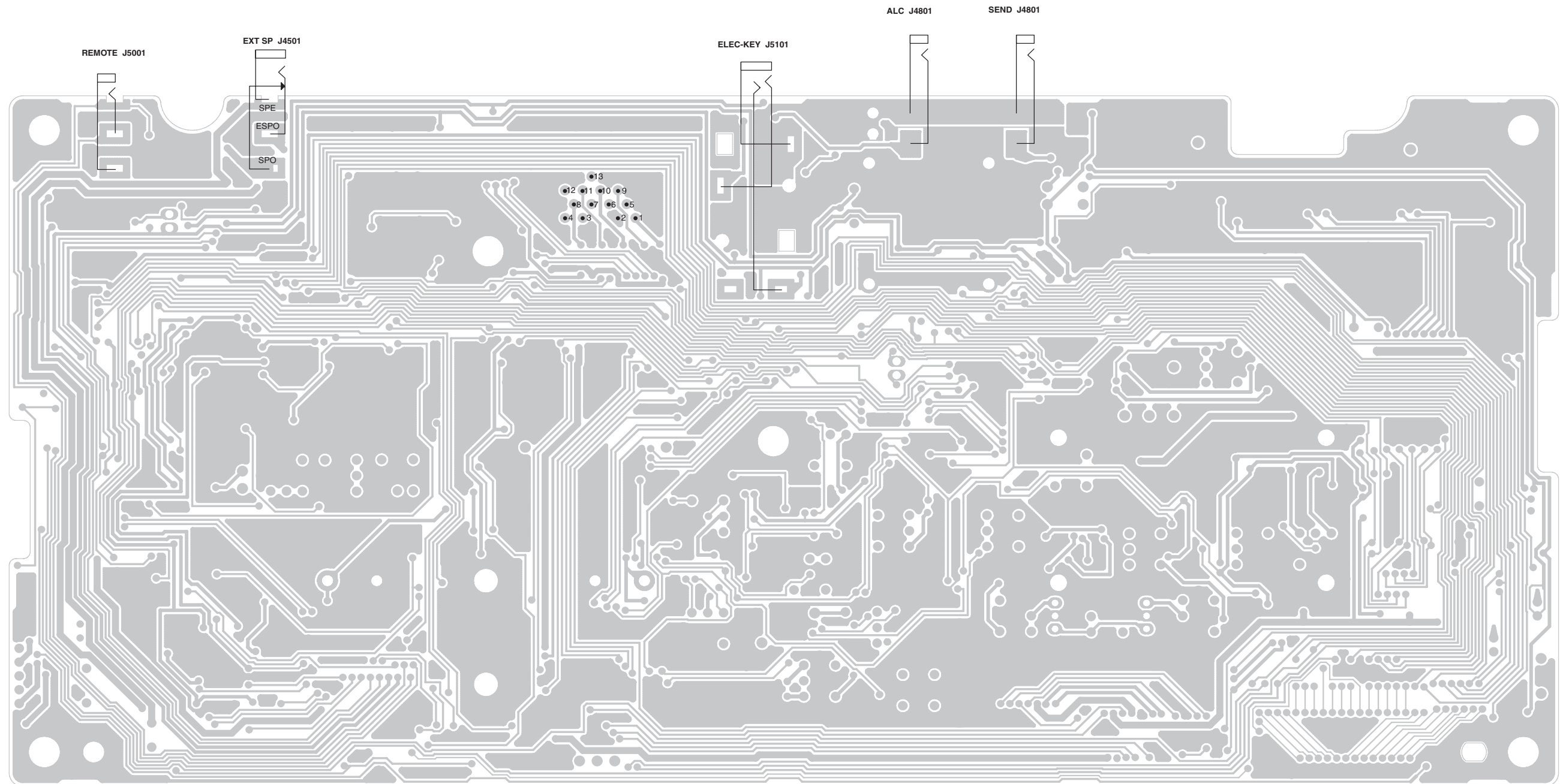


• PHONE BOARD

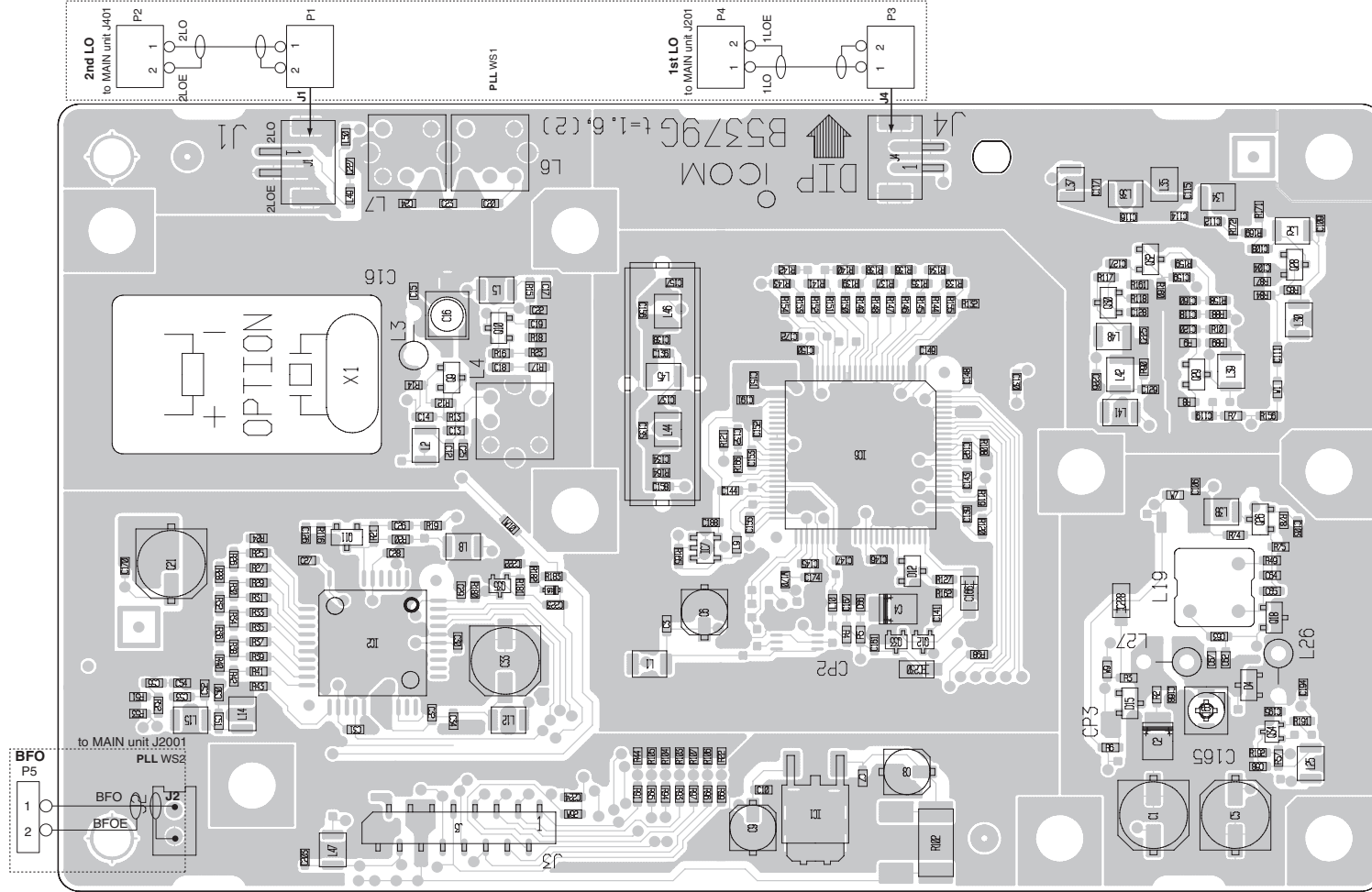


The combination of this side and the bottom side shows the board layout in the same configuration as the actual P.C.Board.

• MAIN UNIT (BOTTOM VIEW)

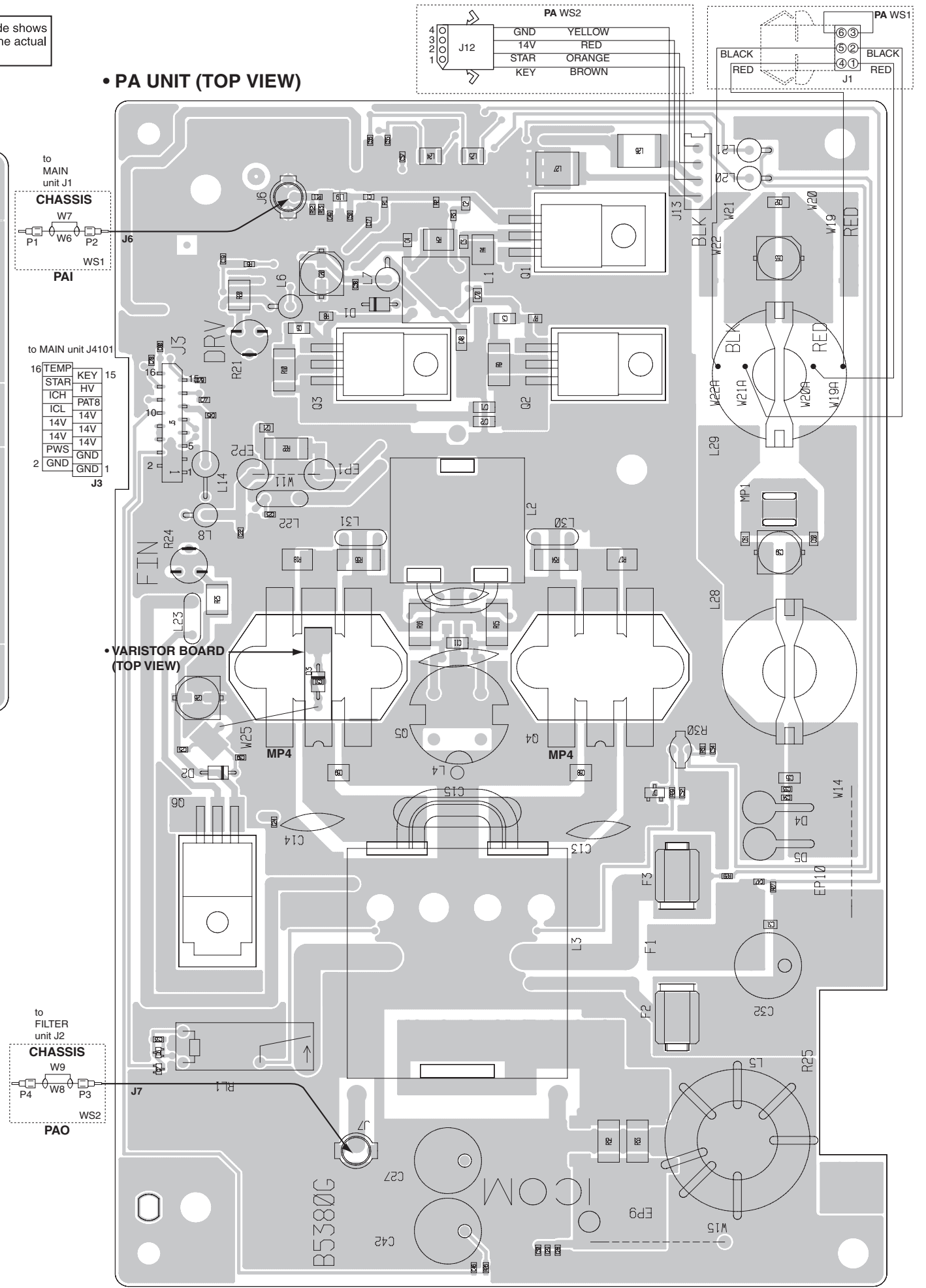


• PLL UNIT (TOP VIEW)

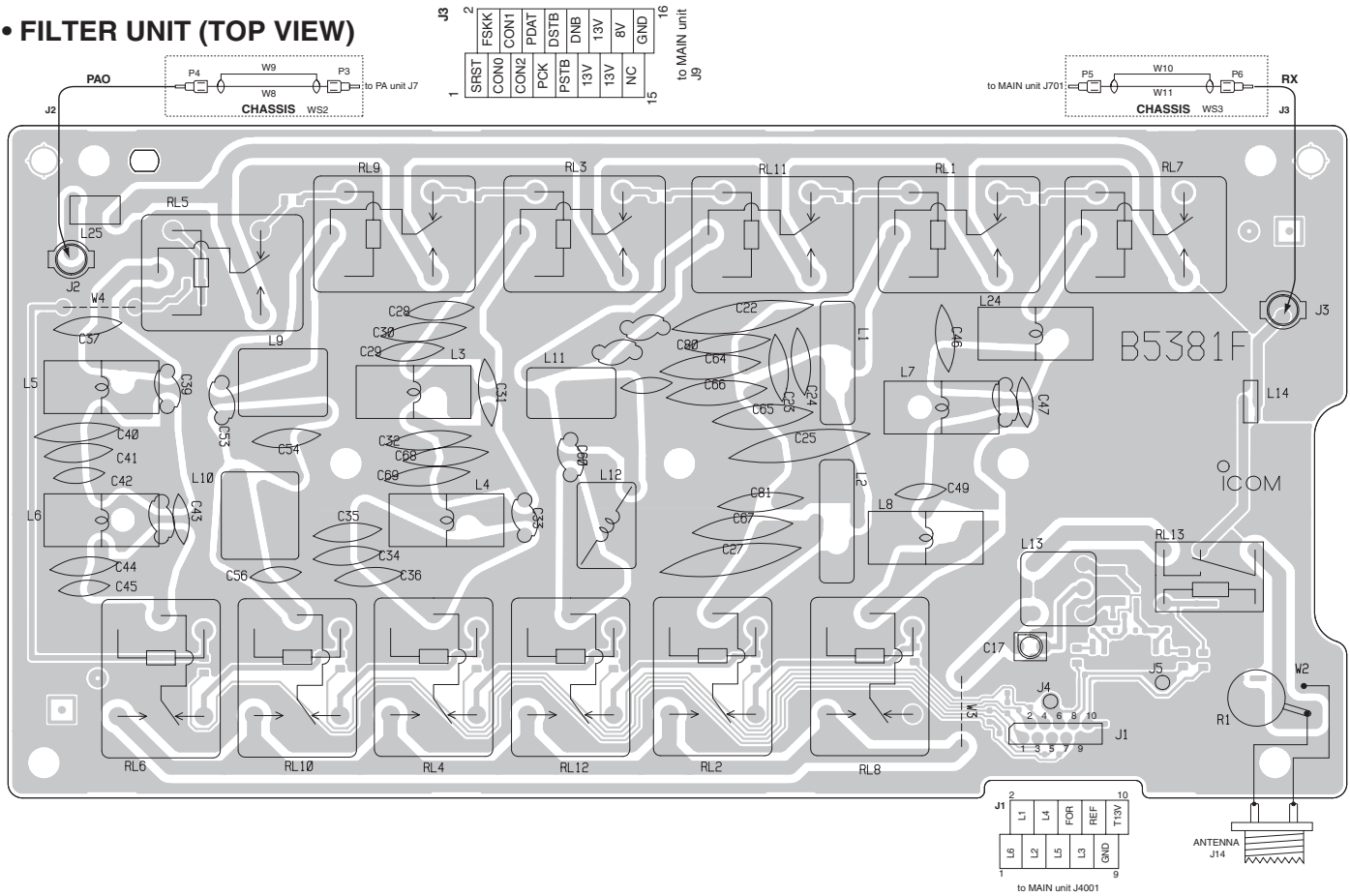


The combination of this side and the bottom side shows the board layout in the same configuration as the actual P.C.Board.

• PA UNIT (TOP VIEW)

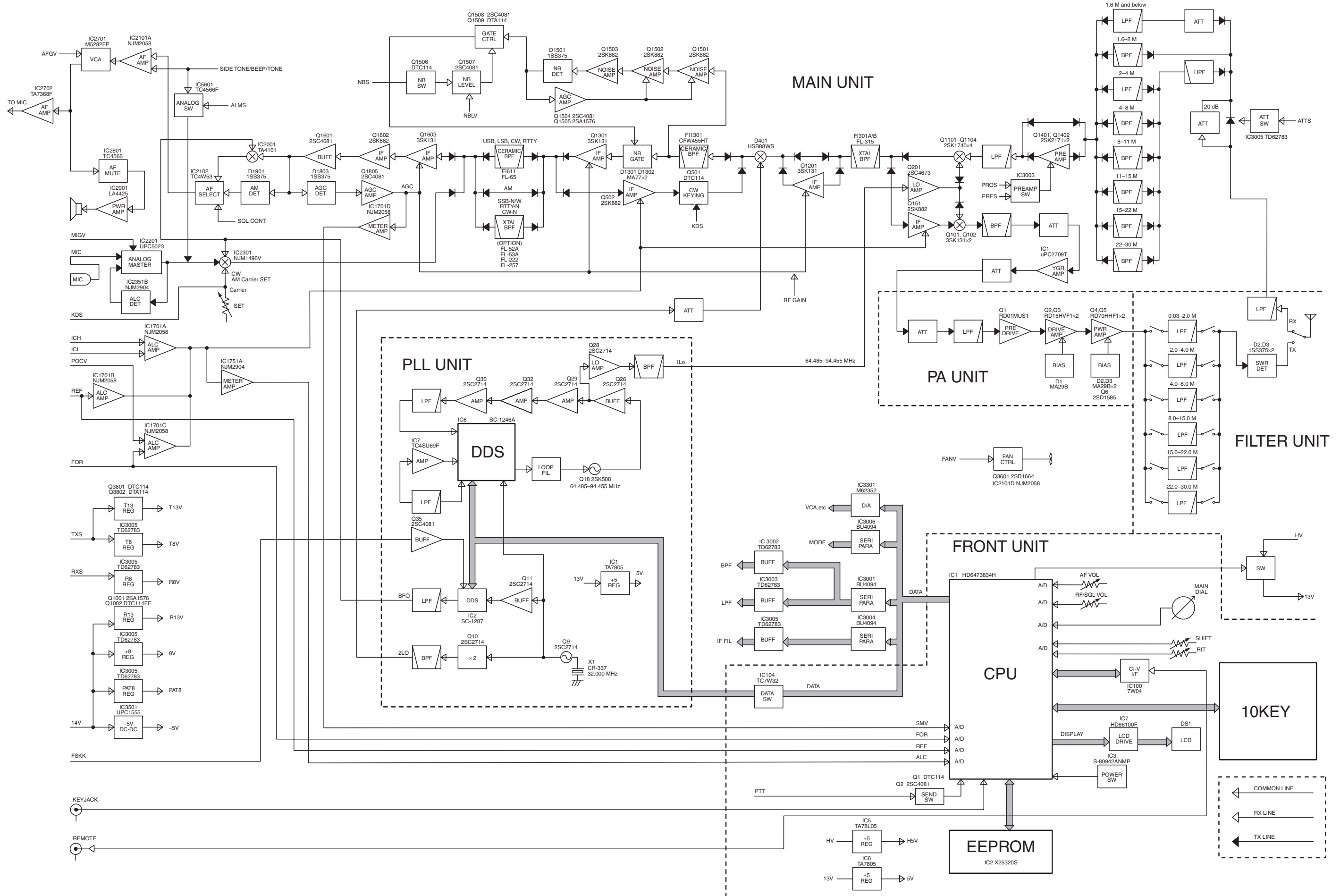


• FILTER UNIT (TOP VIEW)

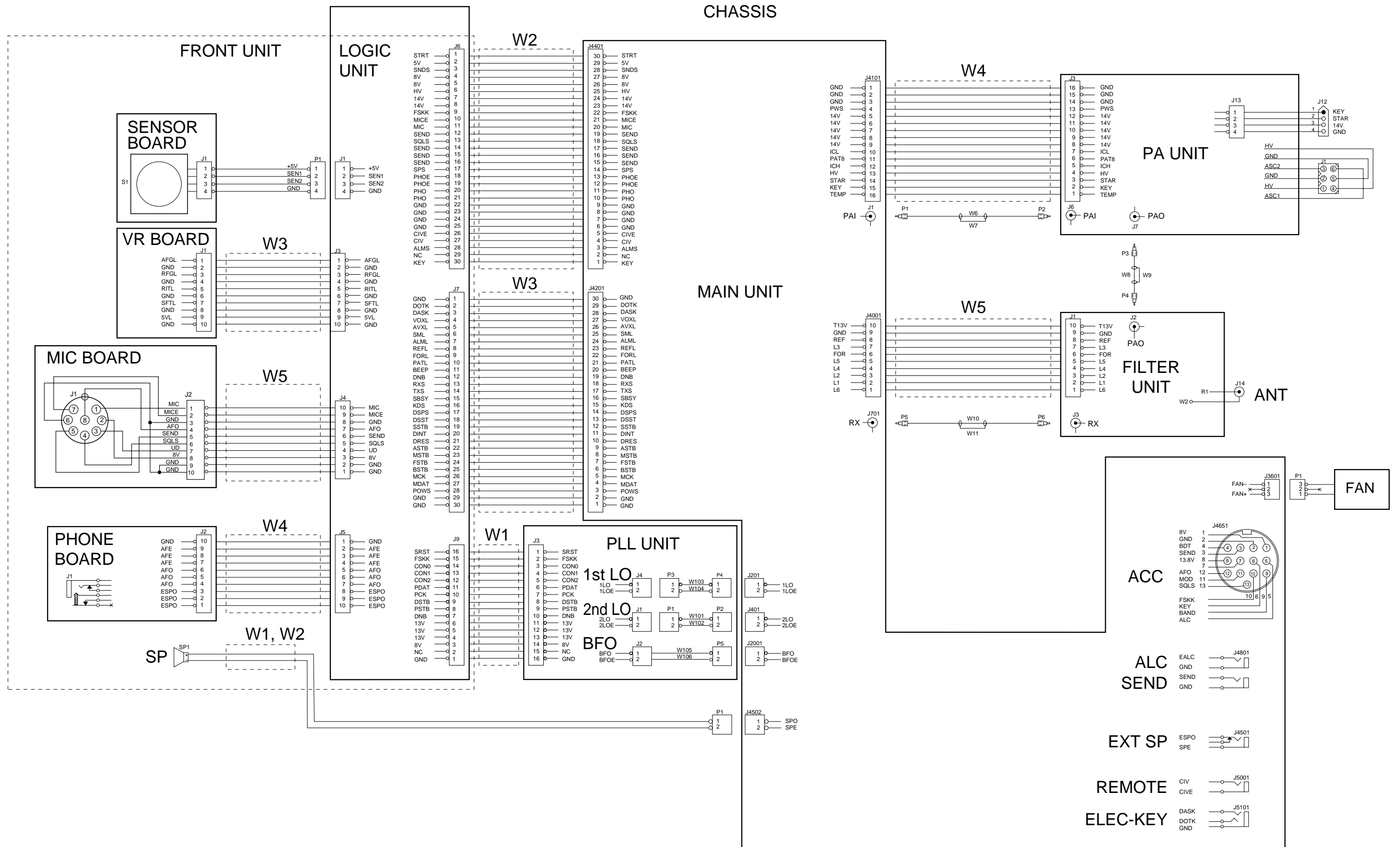


SECTION 10

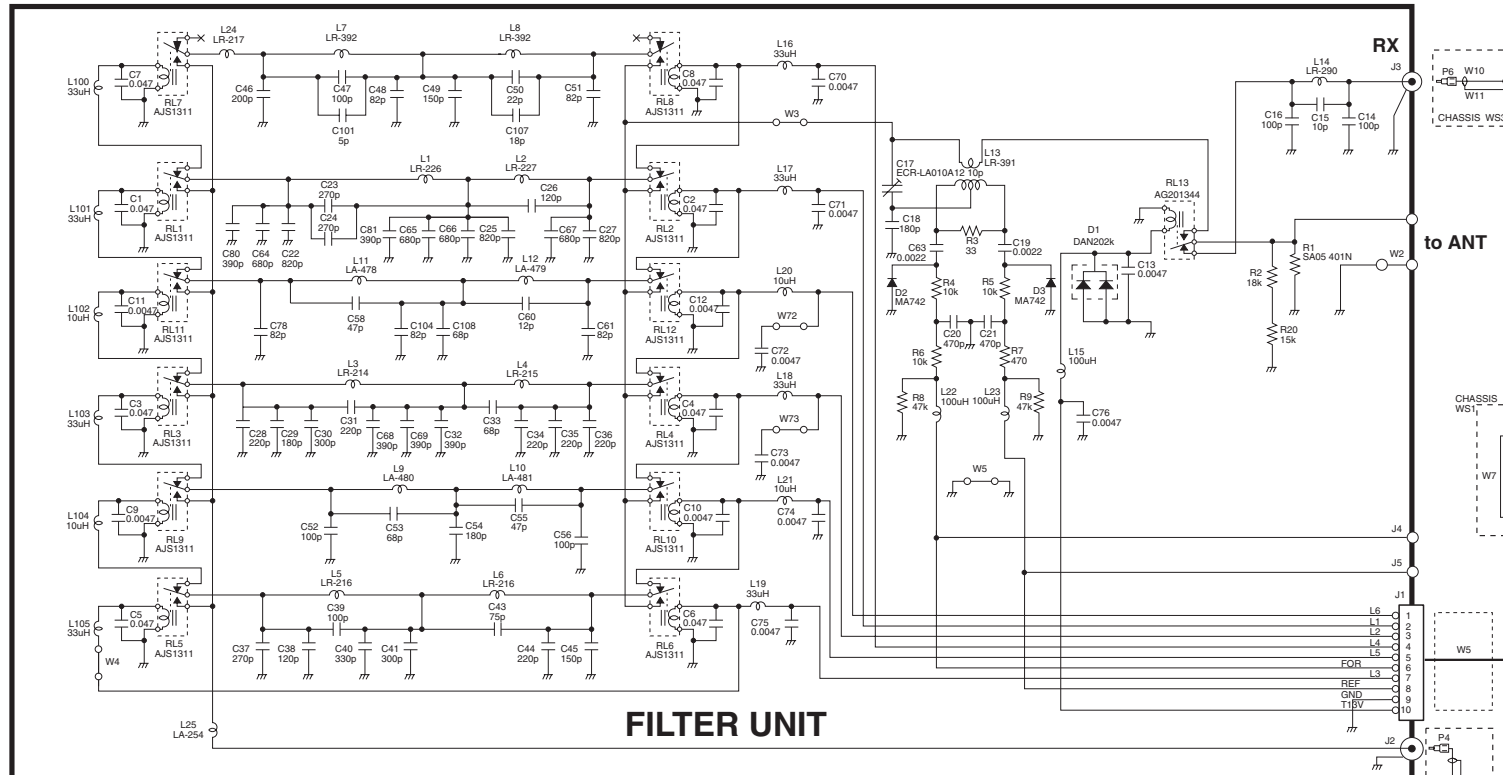
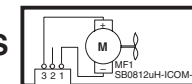
BLOCK DIAGRAM



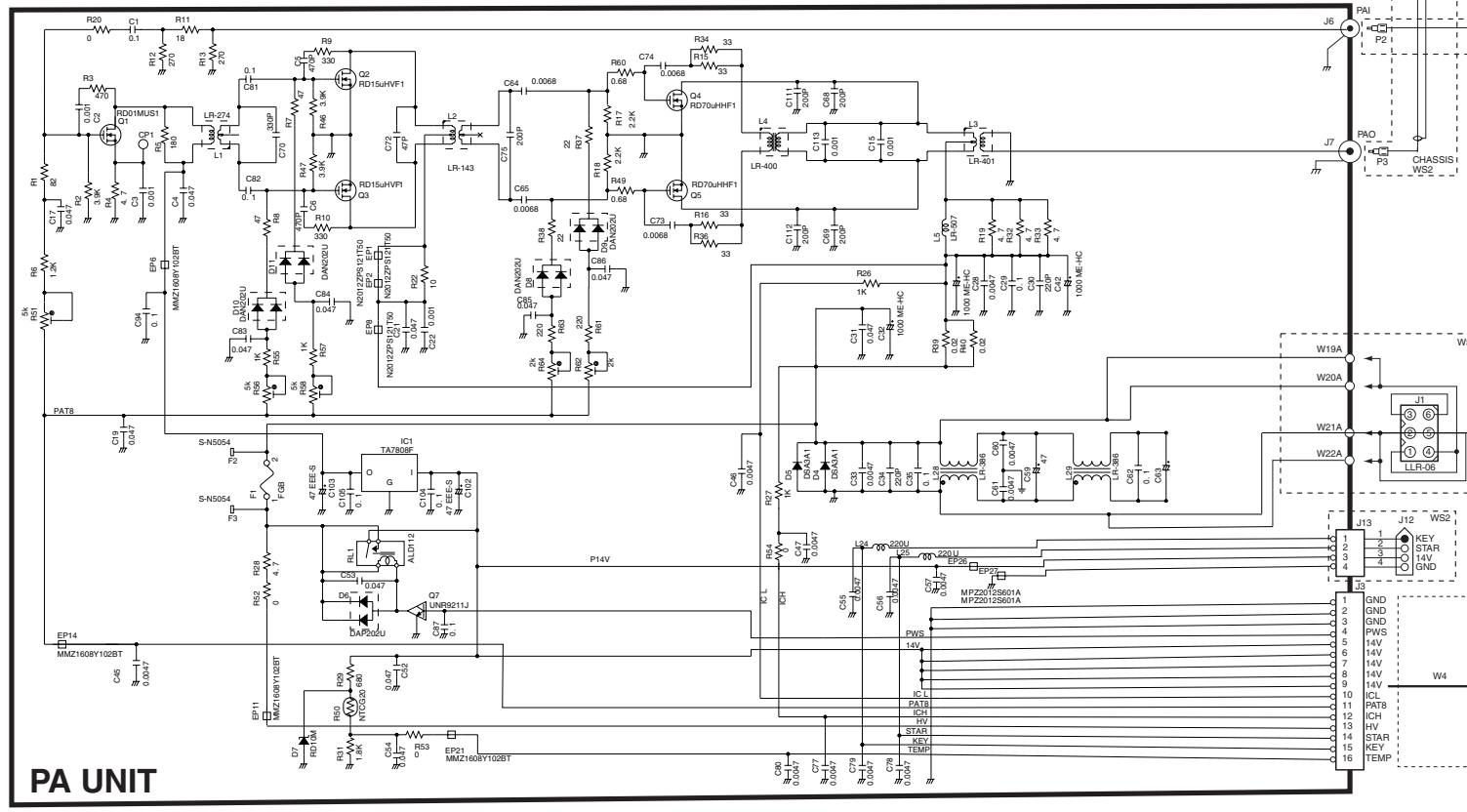
SECTION 11 WIRING DIAGRAM



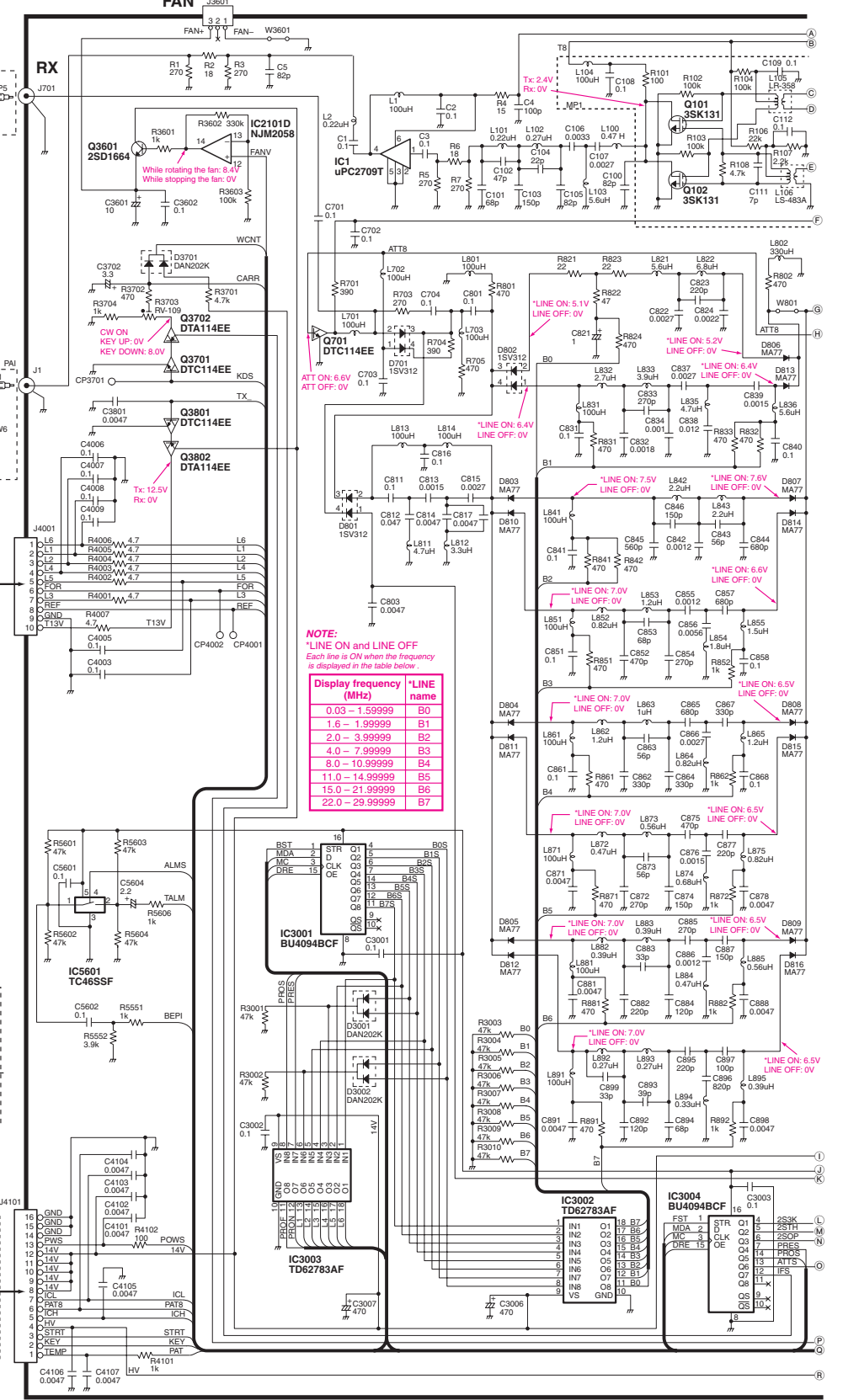
CHASSIS



FILTER UNIT



PA UNIT



NOTE:
Each line is ON when the frequency is displayed in the table below.

Display frequency (MHz)	LINE name
0.03 - 1.99999	B0
1.6 - 1.99999	B1
2.0 - 3.99999	B2
4.0 - 7.99999	B3
8.0 - 10.99999	B4
11.0 - 14.99999	B5
15.0 - 21.99999	B6
22.0 - 29.99999	B7

Icom Inc.

1-1-32, Kamiminami, Hirano-ku, Osaka 547-0003, Japan
Phone : +81 (06) 6793 5302
Fax : +81 (06) 6793 0013
URL : <http://www.icom.co.jp/world/index.html>

Icom America Inc.

<Corporate Headquarters>
2380 116th Avenue N.E., Bellevue, WA 98004, U.S.A.
Phone : +1 (425) 454-8155 Fax : +1 (425) 454-1509
URL : <http://www.icomamerica.com>
E-mail : sales@icomamerica.com
<Customer Service>
Phone : +1 (425) 454-7619

Icom Canada

Glenwood Centre #150-6165
Highway 17 Delta, B.C., V4K 5B8, Canada
Phone : +1 (604) 952-4266 Fax : +1 (604) 952-0090
URL : <http://www.icomcanada.com>
E-mail : info@icomcanada.com

Icom (Australia) Pty. Ltd.

Unit 1 / 103 Garden Road, Clayton VIC 3168 Australia
Phone : +61 (03) 9549-7500 Fax : +61 (03) 9549-7505
URL : <http://www.icom.net.au>
E-mail : sales@icom.net.au

Icom New Zealand

146A Harris Road, East Tamaki,
Auckland, New Zealand
Phone : +64 (09) 274 4062 Fax : +64 (09) 274 4708
URL : <http://www.icom.co.nz>
E-mail : inquiries@icom.co.nz

Beijing Icom Ltd.

10C07, Long silver Mansion, No.88, Yong Ding
Road, Haidian District, Beijing, 100039, China
Phone : +86 (010) 5889 5391/5392/5393
Fax : +86 (010) 5889 5395
E-mail : bjicom@bjicom.com
URL : <http://www.bjicom.com>

Icom (Europe) GmbH

Communication Equipment
Auf der Krautweide 24
65812 Bad Soden am Taunus, Germany
Phone : +49 (6196) 76685-0 Fax : +49 (6196) 76685-50
URL : <http://www.icomeurope.com>
E-mail : info@icomeurope.com

Icom Spain S.L

Ctra. Rubi, No. 88 Bajos A 08174, Sant Cugat del Valles, Barcelona, Spain
Phone : +34 (93) 590 26 70 Fax : +34 (93) 589 04 46
URL : <http://www.icomspain.com>
E-mail : icom@icomspain.com

Icom (UK) Ltd.

Unit 9, Sea St., Herne Bay, Kent, CT6 8LD, U.K.
Phone : +44 (01227) 741741 Fax : +44 (01227) 741742
URL : <http://www.icomuk.co.uk>
E-mail : info@icomuk.co.uk

Icom France s.a.s.

Zac de la Plaine
1 Rue Brindejonc des Moulinais BP 5804
31505 Toulouse Cedex, France
Phone : +33 (5) 61 36 03 03 Fax : +33 (5) 61 36 03 00
URL : <http://www.icom-france.com>
E-mail : icom@icom-france.com

Asia Icom Inc.

6F No.68, Sec. 1 Cheng-Teh Road, Taipei, Taiwan, R.O.C.
Phone : +886 (02) 2559 1899 Fax : +886 (02) 2559 1874
URL : <http://www.asia-icom.com>
E-mail : sales@asia-icom.com

Icom Polska

81-850 Sopot, ul. 3 Maja 54, Poland
Phone : +48 (58) 550 7135 Fax : +48 (58) 551 0484
E-mail : icompolska@icompolska.com.pl

Count on us!

Icom Inc.

1-1-32, Kamiminami, Hirano-ku, Osaka 547-0003, Japan

S-13707MZ-C1-①
© 2000–2007 Icom Inc.